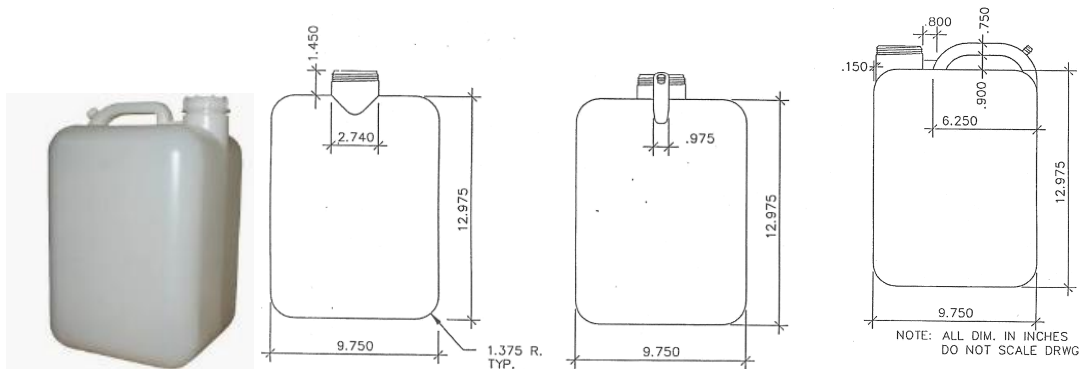


VWR, part of Avantor  
100 Matsonford Road  
Building 1, Suite 200  
Radnor PA 19087  
t: 1.800.932.5000  
[www.vwr.com](http://www.vwr.com)

## Packaging Information for 19L (5 Gal) Vent Flow Carboy

Description :	HDPE container. Shipped in fiber box.
Container UN Classification :	4G/Y37.8/S/*
Container Material:	HDPE
Opening:	70 mm
Footprint:	9.875 x 9.875 in
Hight:	15 in



For more information, please refer to the product page on [vwr.com](http://vwr.com) or contact:  
**VWR Technical Product Support**  
[TechnicalProductSupportNA@vwr.com](mailto:TechnicalProductSupportNA@vwr.com)  
Tel: 888.897.5463