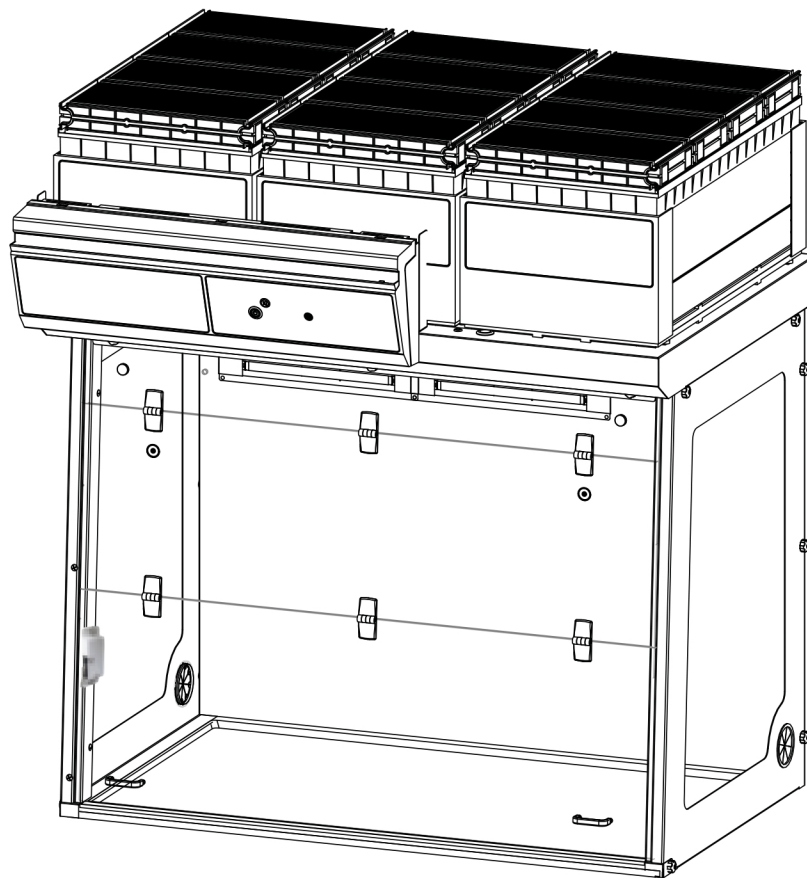


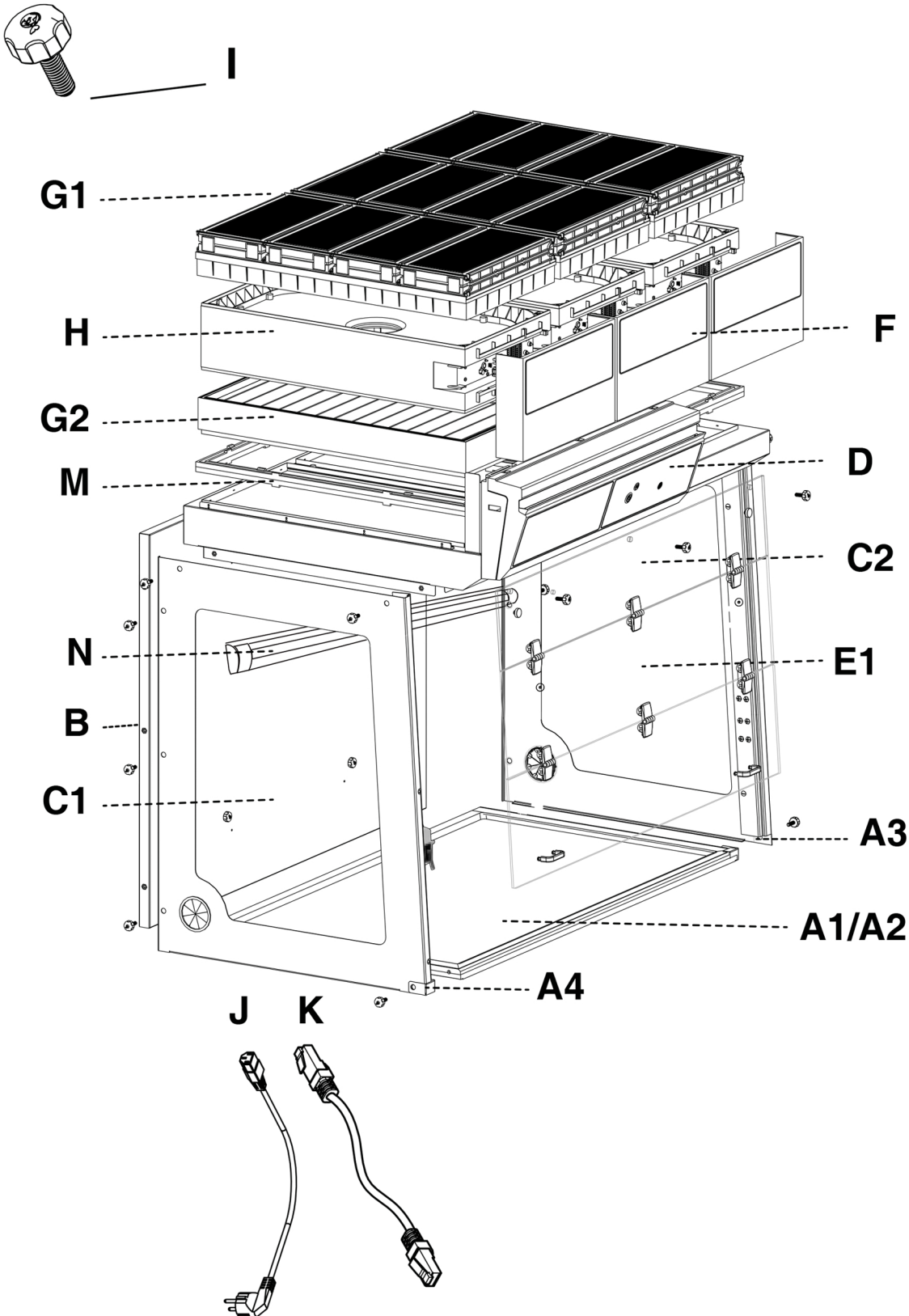
Captair Flow 483-714

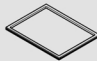


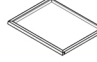



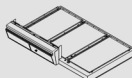
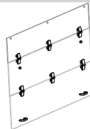


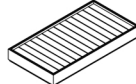
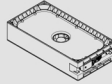



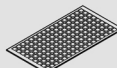



Mobile ductless filtering clean air enclosure

Assembly Instructions



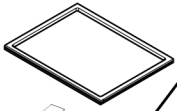
Example : Flow 483 - 1C1P



⚙️	Work surface - TRESPA® TopLab PLUS			x1	483= I0164030001 714= I0166030001
	A1	A3 Right finishing bracket		x1	Z7PIDRE13011
		A4 Left finishing square		x1	Z7PIDRE13010
⚙️	A2	Work surface - stainless steel 304L		x1	483= I0164050001 714= I0166050001
	B	Back panel		x1	483= YTRA643004 714= YTRA663004
	C1	Left side panel		x1	Z7PIDV113003
	C2	Right side panel		x1	
	D	Top part (1) and control panel (2)		x1	483(1): Z3CEILSMARTFLOW483 483(2): K97Z021 714(1): Z3CEILSMARTFLOW714 714(2): K98Z021
	E1	Acrylic front panel 1P		x1	483= Z7PIDVSMARTFLOW4831P 714= Z7PIDVSMARTFLOW71411P
	F	Side cover		483: x3 714: x4	Z7PIDMS5852_1
	G1	Molecular carbon filter		*	H11074101 (AS) H11074201 (BE+) H11074401 (F) H11074301 (K)
	G2	Particulate Filter		*	H11074031 (HEPA H14) H11074051 (ULPA U17)
	H	Fan box		x1	Z7PIDFM007
	I	Nylon screws		x13	PIDB08547
	J	Power cable		x1	EU = PIDELO76 GB = PIDELO90 CH = PIDELO106
	K	RJ45 cable		x1	PIDEL8603
	L	Pre-filter+ grid		x1	Z7PIDRE3790
	M	Seal frame		x1	PIDDI8532
	O	Nylon cable tie		x2	Z7PIDEL8533
	N	UV Lamp		x1	

1

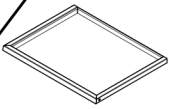
A1 x 1



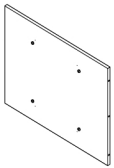
A3



A4



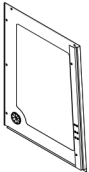
A2 x 1



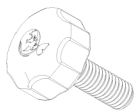
B x 1



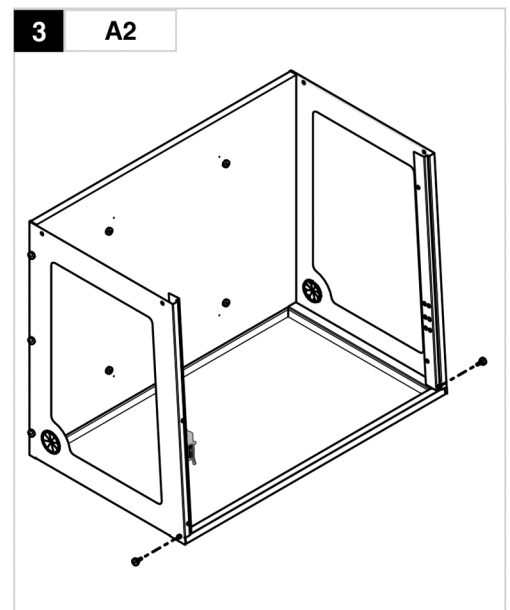
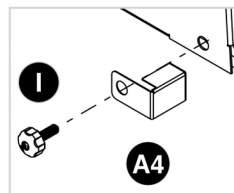
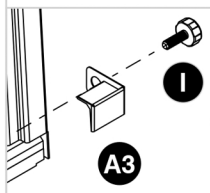
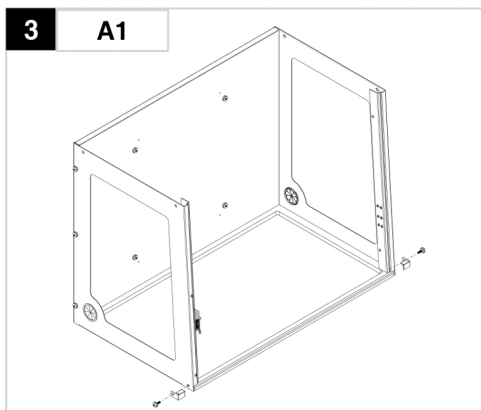
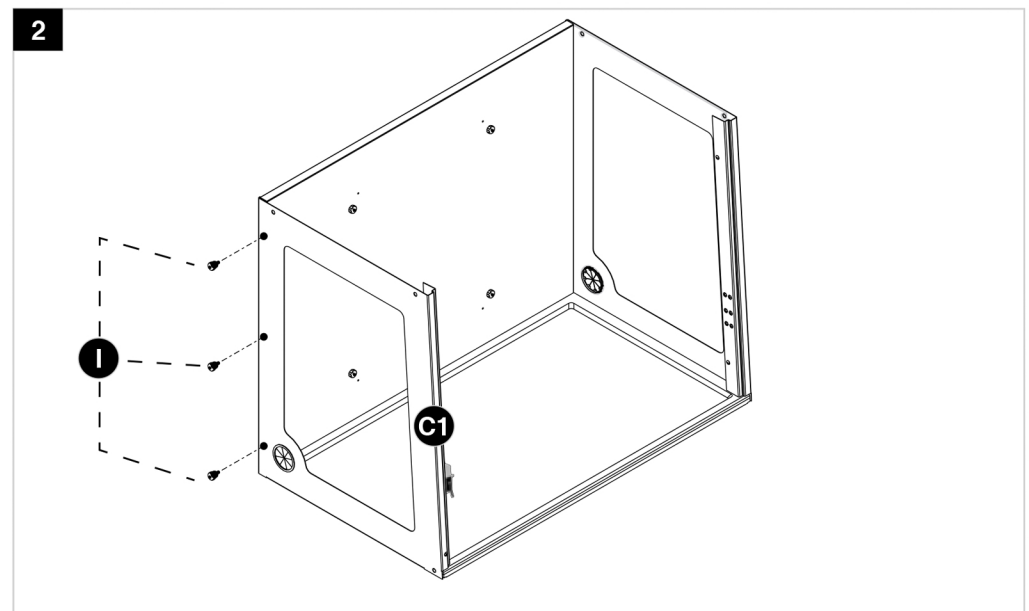
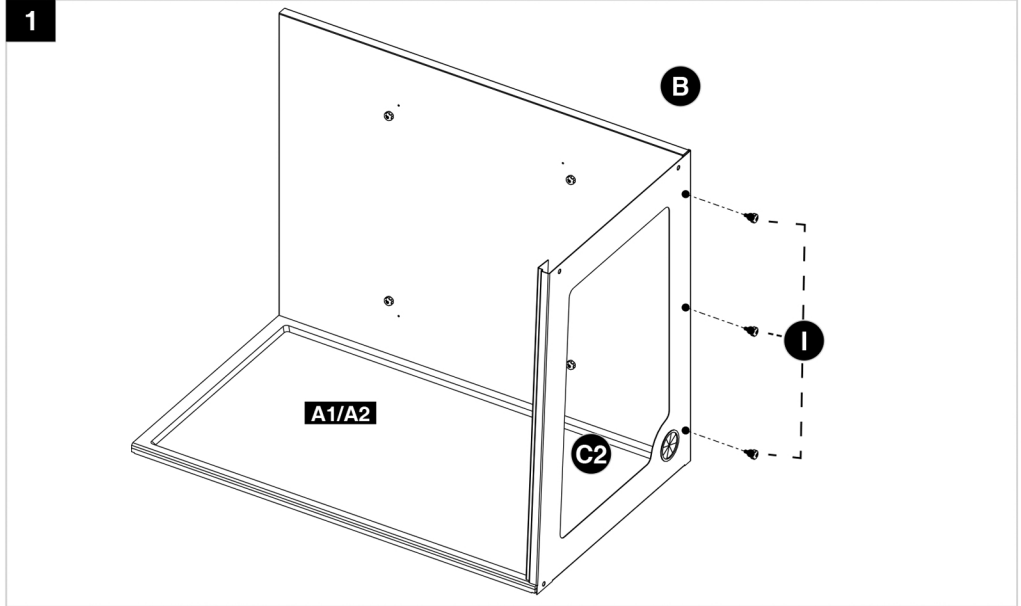
C1 x 1



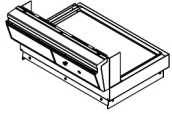
C2 x 1



I x 8



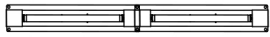
2



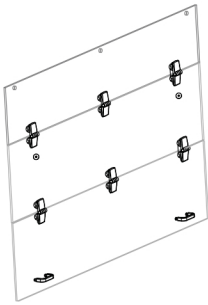
D x 1



I x 7



E1 x 1



E1 x 1

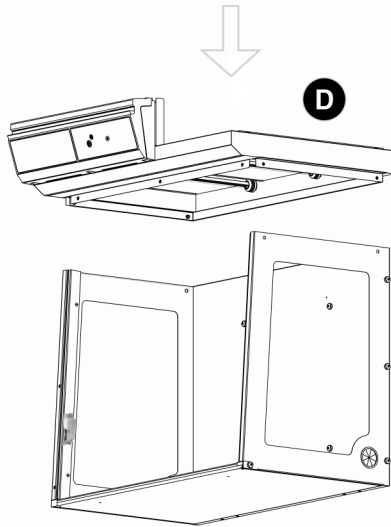


J x 1

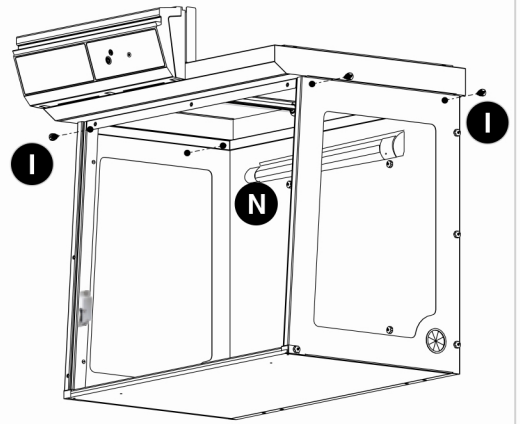


K x 1

1

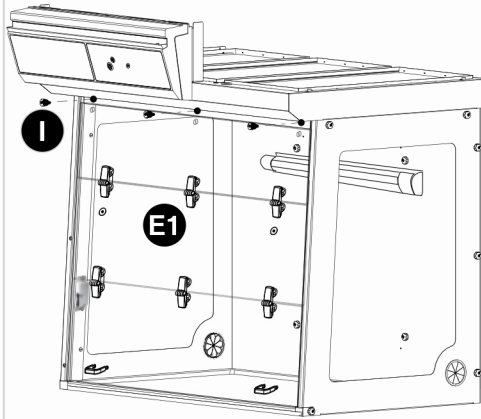


2

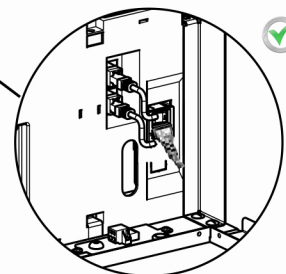
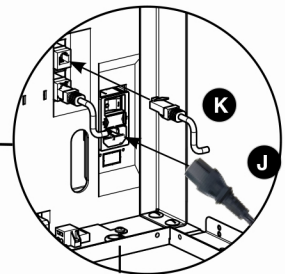
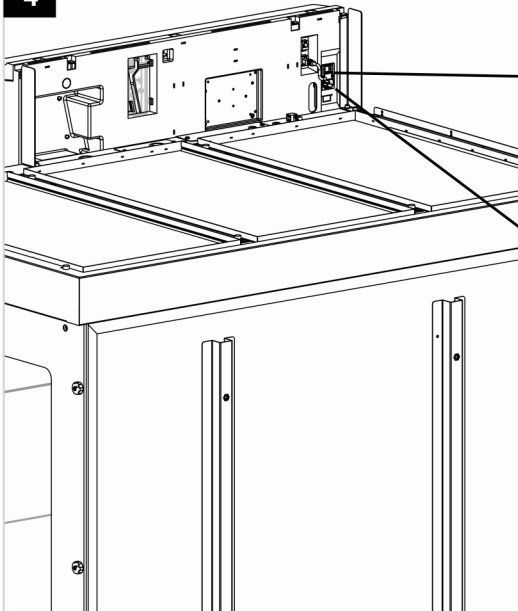


3

1P

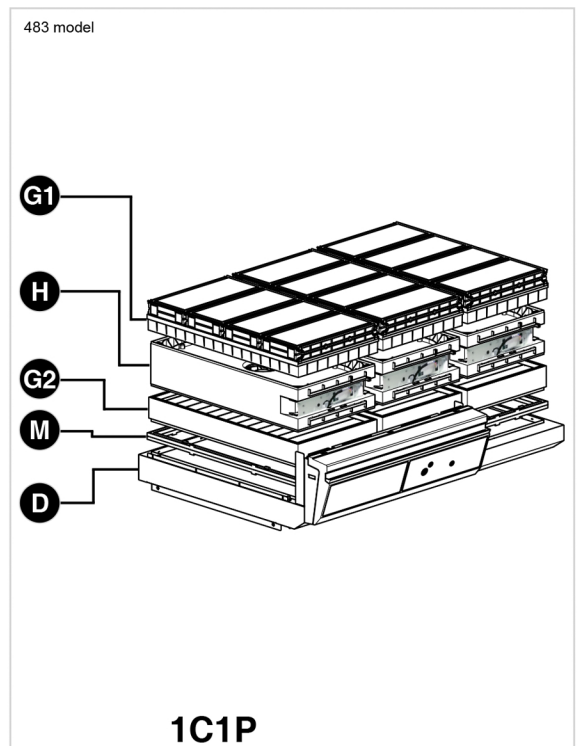
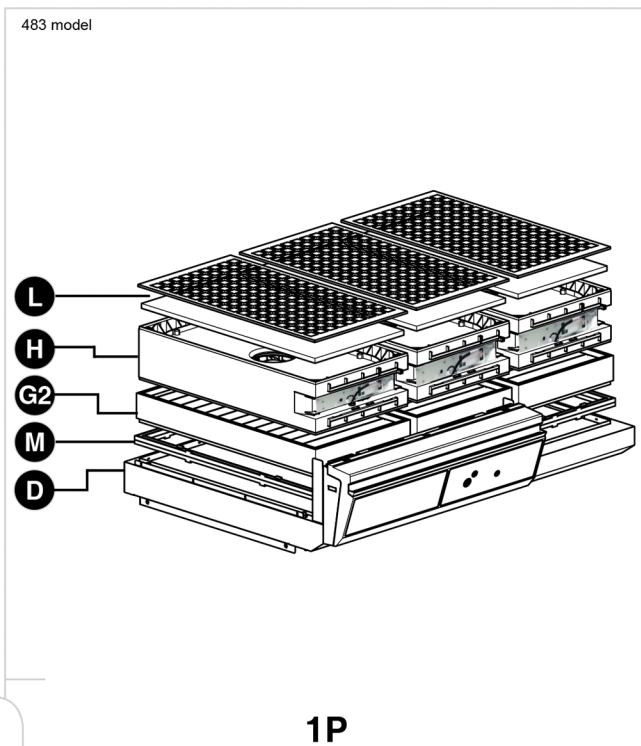
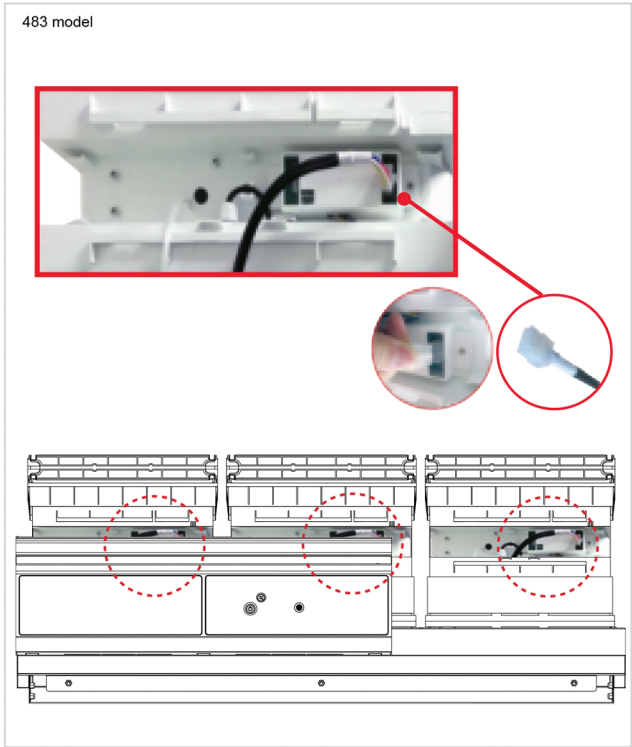
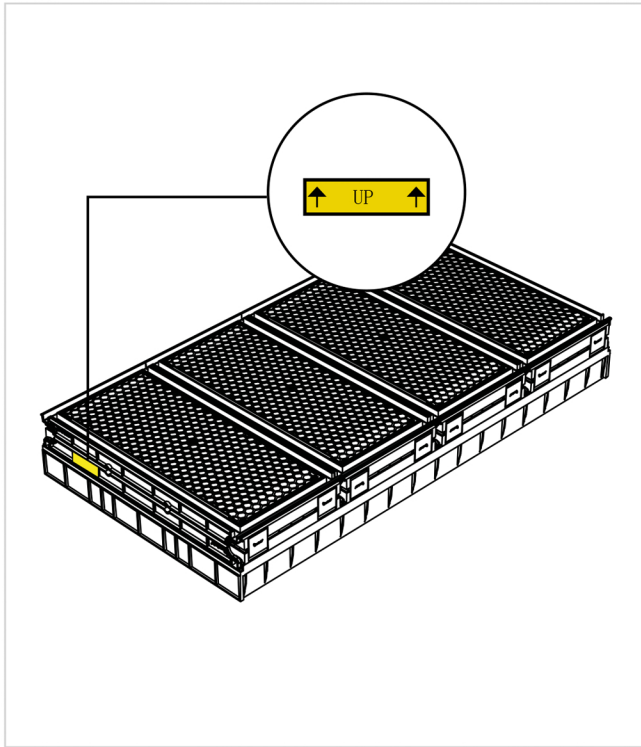


4

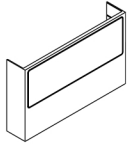


3

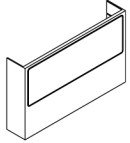
	G1 Molecular carbon filter		G2 Particulate Filter		L Pre-filter	
Filter column configuration						
	483	714	483	714	483	714
1P	-	-	x3	x4	x3	x4
1C 1P	x3	x4	x3	x4	-	-



4



F x 3 (483)

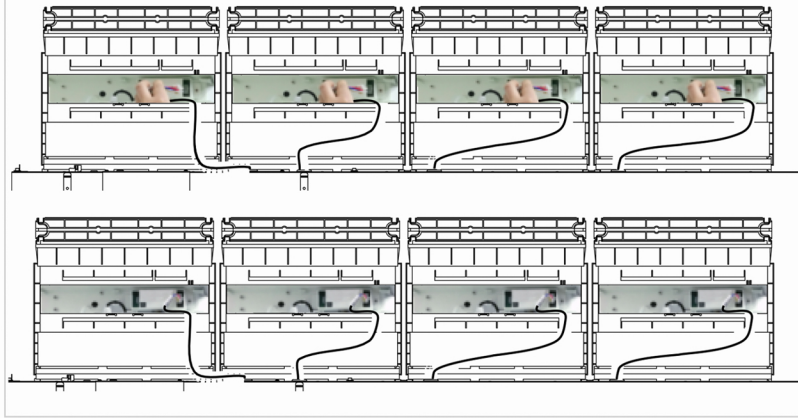


F x 4 (714)



O x 2

714



483

