

Technical data sheet

Contents

| | |
|-------------------------|----|
| PCR plates..... | 2 |
| Plate SRW Magnetic..... | 4 |
| Plate Medio..... | 6 |
| Plate Round Well | 8 |
| Plate Square Well..... | 10 |
| Plate 96..... | 12 |
| Plate 384..... | 14 |
| Capmats..... | 16 |

Description
PCR plates

Features

- Two component low profile PCR plate with 96 well options
- White frame, white wells
- Standard SBS format for use with automated systems
- Slightly raised well rims for better sealing
- Alphanumeric well markings
- Barcoded option available on request
- Free of DNA, DNase, RNase and PCR Inhibitors

Plates

| VWR Catalog Number | Volume | Barcode | Colour | Packed | Pk |
|--------------------|--------|---------|--------|--------|----|
| 43001-0301 | 200 µL | - | White | 5 x 10 | 50 |
| 43001-0302 | 200 µL | + | White | 5 x 10 | 50 |

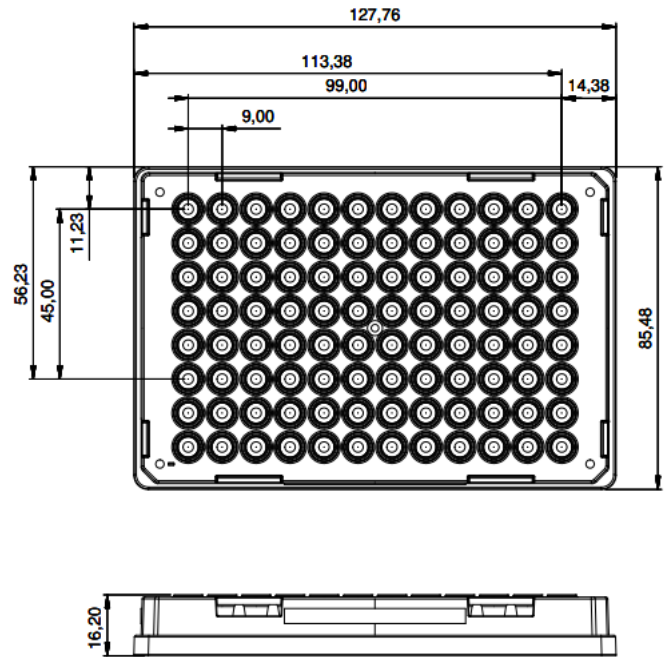
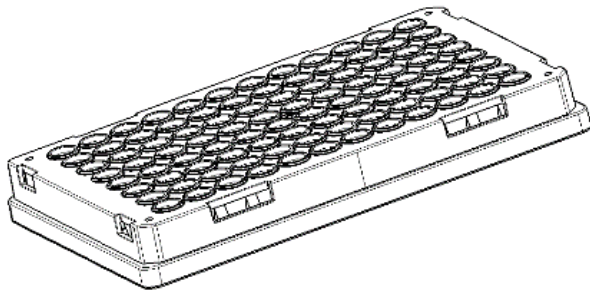
Material

Frame PC

Plate: PP

Technical drawing and measurements

| VWR Catalog Number | Plate dimensions | | | Well Bottom |
|--------------------|------------------|------------|-------------|-------------|
| | Length (mm) | Width (mm) | Height (mm) | |
| 43001-0301 | 127.76 | 85.48 | 16.2 | V |
| 43001-0302 | 127.76 | 85.48 | 16.2 | V |



PCR plate 96 rigid skirted low profile white

Description

Plate SRW Magnetic


Features

- Standard SBS footprint
- Cylindrical wells enable good sample mixing
- Slightly raised rims reduce the risk of cross-contamination
- Alphanumeric code assists registration and identification of individual samples

Plates

| VWR Catalog Number | Volume | Colour | Packed | Pk |
|--------------------|--------|--------|--------|----|
| 43001-0504 | 2 mL | Clear | 10 x 6 | 60 |
| 43001-0506 | 0.2 mL | Clear | 4 x 15 | 60 |

Tip comb

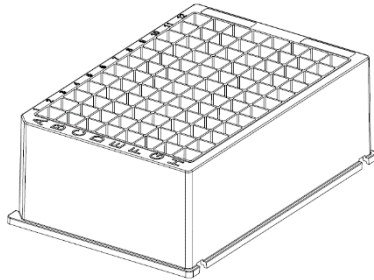
| VWR Catalog Number | Volume | Colour | Packed | Pk |
|--------------------|--------|--------|--------|----|
| 43001-0505 | NA | Clear | 30 x 2 | 60 |

Material

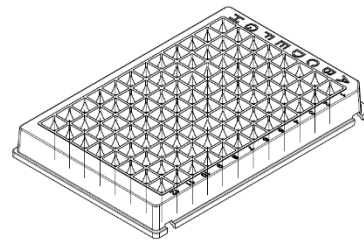
Plate: PP

Technical drawing and measurements

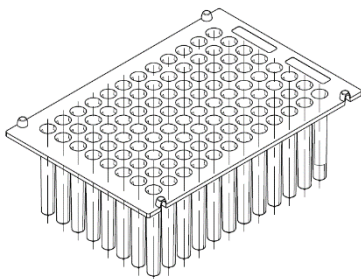
| VWR Catalog Number | Plate dimensions | | | Well Bottom |
|--------------------|------------------|------------|-------------|-------------|
| | Length (mm) | Width (mm) | Height (mm) | |
| 43001-0504 | 127.76 | 85.48 | 44.0 | V |
| 43001-0506 | 127.76 | 85.48 | 14.7 | V |
| 43001-0505 | 127.76 | 85.48 | 48.0 | NA |



96 plate 2 mL with V-bottom



96 plate 0.2 mL with V-bottom



Tip comb

Description
Plate Medio

Features

- Alphanumeric code to assist identification and registration of single samples
- Due to the tangency of wells J.T.Baker® Plate Medio plates, less than 50% stacking space is needed
- Higher well rims allow an airtight seal
- Conical wells aid sample mixing

Plates

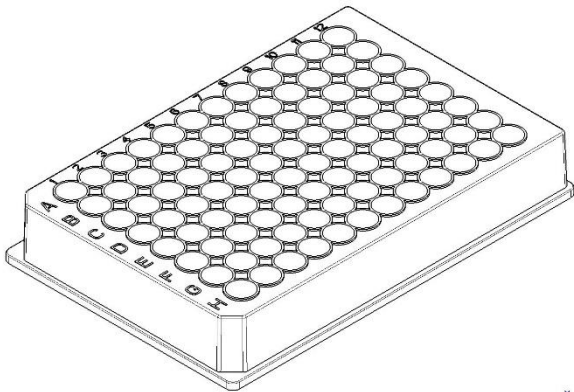
| VWR Catalog Number | Volume (mL) | Colour | Packed | Pk |
|--------------------|-------------|-------------|--------|----|
| 43001-0101 | 1 | Transparent | 4 x 8 | 32 |
| 43001-0102 | 0,5 | Transparent | 4 x 10 | 40 |
| 43001-0103 | 2 | Transparent | 4 x 5 | 20 |

Material

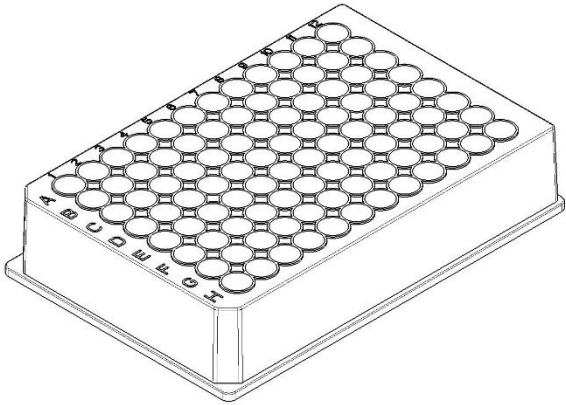
Plate: PP

Technical drawing and measurements

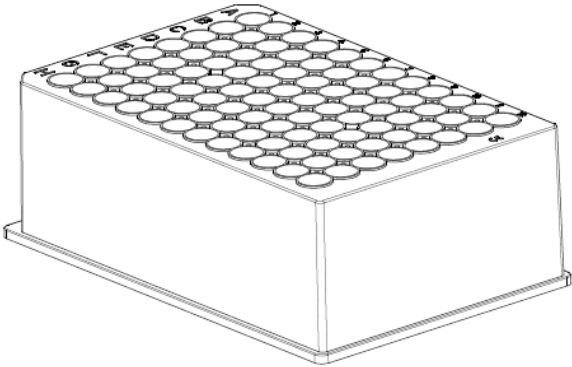
| VWR Catalog Number | Plate dimensions | | | Well Bottom |
|--------------------|------------------|------------|-------------|-------------|
| | Length (mm) | Width (mm) | Height (mm) | |
| 43001-0101 | 127.76 | 85.48 | 27.0 | V |
| 43001-0102 | 127.76 | 85.48 | 20.5 | V |
| 43001-0103 | 127.76 | 85.48 | 44.0 | V |



96 plate 0.5 mL



96 plate 1 mL



96 plate 2 mL

Description
Plate Round Well

Features

- Also available rimless to allow insertion of vials
- Round bottom for optimal mixing and recovery
- Raised well rims (only 43001-0116)
- Suitable for use with automated sample handling systems

Plates

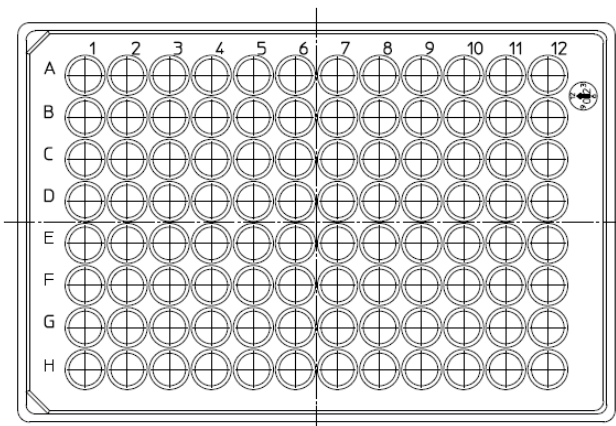
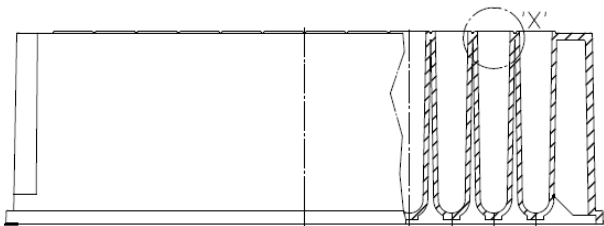
| VWR Catalog Number | Volume (mL) | Colour | Packed | Pk |
|--------------------|-------------|-------------|--------|----|
| 43001-0016 | 1,0 | Transparent | 4 x 5 | 20 |
| 43001-0116 | 1,0 | Transparent | 4 x 5 | 20 |
| 43001-0010 | 1,0 | Clear | 4 x 5 | 20 |

Material

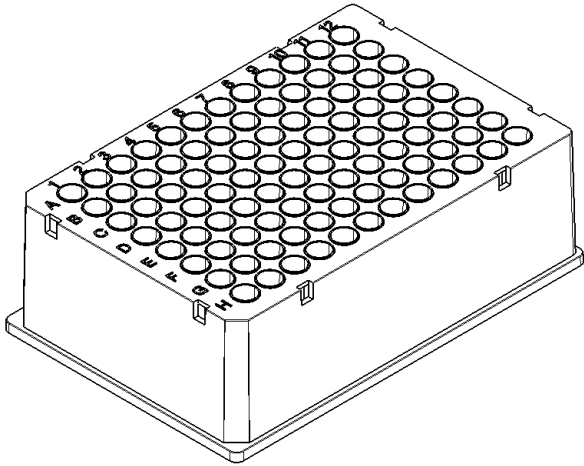
Plate: 43001-0016 - 43001-0116 – PP
 43001-0010 - PS

Technical drawing and measurements

| VWR Catalog Number | Plate dimensions | | | Well Bottom |
|--------------------|------------------|------------|-------------|-------------|
| | Length (mm) | Width (mm) | Height (mm) | |
| 43001-0016 | 127.20 | 84.85 | 41.25 | U |
| 43001-0116 | 127.25 | 85.15 | 41.25 | U |
| 43001-0010 | 127.9 | 85.2 | 41.5 | U |



96 well plate – 1 mL



96 well plate – 1 mL plus

Description
Plate Square Well

Features

- Standard SBS footprint
- V-bottom well shape maximises liquid removal and aids resuspension
- Raised well rims to improve heat sealing

Plates

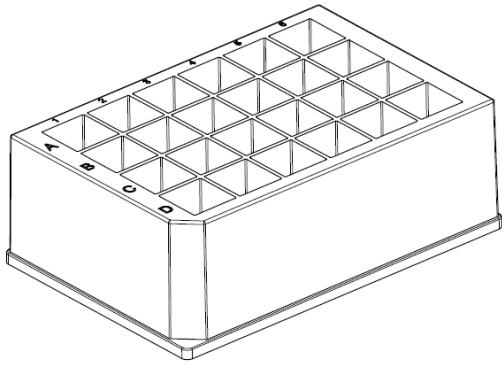
| VWR Catalog Number | Description | Volume (mL) | Colour | Packed | Pk |
|--------------------|---------------|-------------|-------------|--------|----|
| 43001-0066 | 24-well plate | 10.0 | Transparent | 4 x 5 | 20 |
| 43001-0062 | 48-well plate | 5.0 | Transparent | 4 x 5 | 20 |
| 43001-0020 | 96-well plate | 2.0 | Transparent | 4 x 5 | 20 |

Material

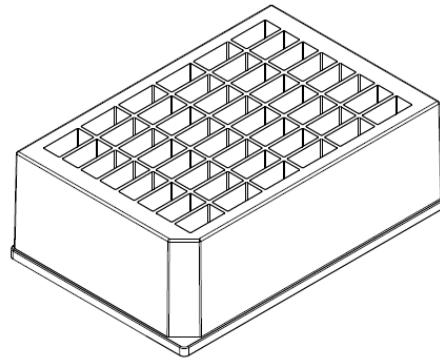
Plate: PP

Technical drawing and measurements

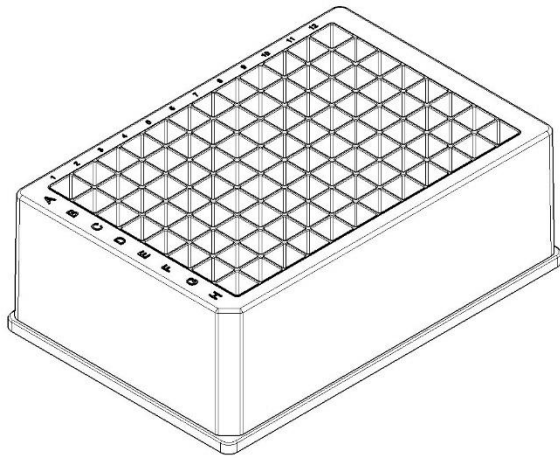
| VWR Catalog Number | Plate dimensions | | | Well Bottom |
|--------------------|------------------|------------|-------------|-------------|
| | Length (mm) | Width (mm) | Height (mm) | |
| 43001-0066 | 127.76 | 85.48 | 44.0 | V |
| 43001-0062 | 127.76 | 85.48 | 44.0 | V |
| 43001-0020 | 127.76 | 85.48 | 44.0 | V |



24-well plate



48-well plate



96-well plate

Description
Plate 96

Features

- Alphanumeric coding assists with identification of samples
- Plate shape significantly reduces sample carryover
- Available in different well bottom options

Plates

| VWR Catalog Number | Description | Volume | Colour | Packed | Pk |
|--------------------|-------------------|--------|-------------|---------|-----|
| 43001-0118 | 96 plate V-bottom | 240 µL | Clear | 10 x 10 | 100 |
| 43001-0117 | 96 plate U-bottom | 300 µL | Clear | 10 x 10 | 100 |
| 43001-0600 | 96 plate U-bottom | 300 µL | Transparent | 8 x 8 | 64 |
| 43001-0119 | 96 plate F-bottom | 350 µL | Clear | 10 x 10 | 100 |

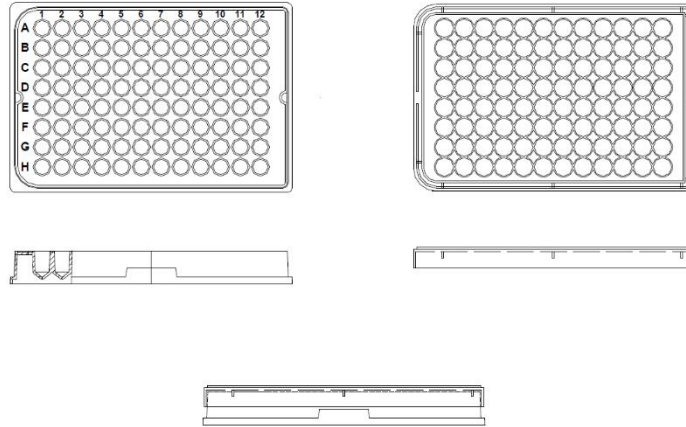
Material

Plate: PP - 43001-0600

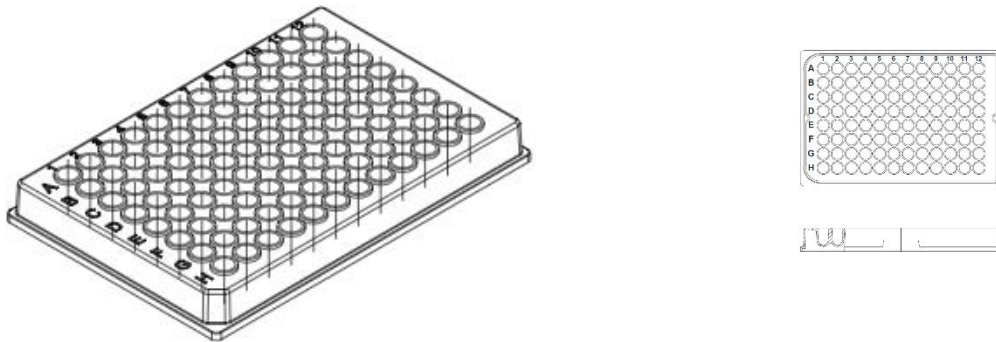
PS - 43001-0118 - 43001-0117 - 43001-0119

Technical drawing and measurements

| VWR Catalog Number | Plate dimensions | | | Well Bottom |
|--------------------|------------------|------------|-------------|-------------|
| | Length (mm) | Width (mm) | Height (mm) | |
| 43001-0118 | 127.40 | 85.80 | 14.70 | V |
| 43001-0117 | 127.60 | 85.90 | 14.70 | U |
| 43001-0600 | 127.76 | 85.48 | 14.35 | U |
| 43001-0119 | 127.40 | 85.90 | 14.70 | F |

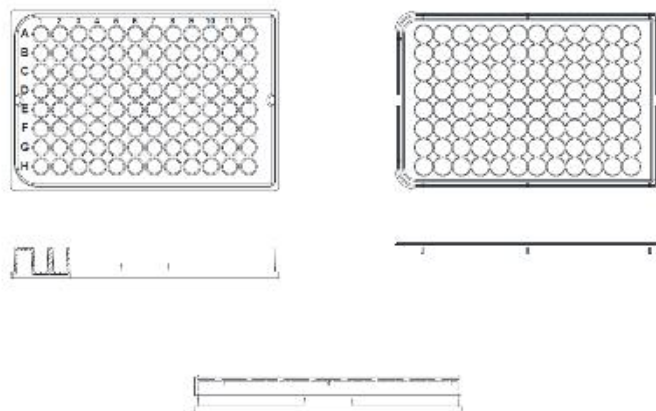


96 well plate V-bottom PS



96 well plate U-bottom PP

96 well plate U-bottom PS



96 well plate F-bottom PS

Description
Plate 384

Features

- Alphanumeric code to assist sample identification
- Square wells for increased volume
- V-bottom for high sample recovery
- High frame (3 mm) for stable and slip-free stacking
- Higher well rims avoid cross-contamination

Plates

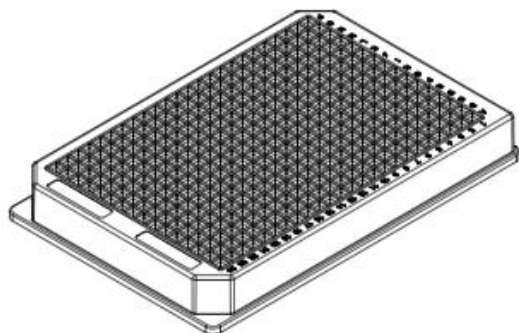
| VWR Catalog Number | Description | Volume | Colour | Packed | Pk |
|--------------------|----------------|--------|-------------|--------|----|
| 43004-0120 | 384 well plate | 120 µL | Transparent | 60 | 60 |
| 43004-0200 | 384 well plate | 200 µL | Transparent | 40 | 40 |

Material

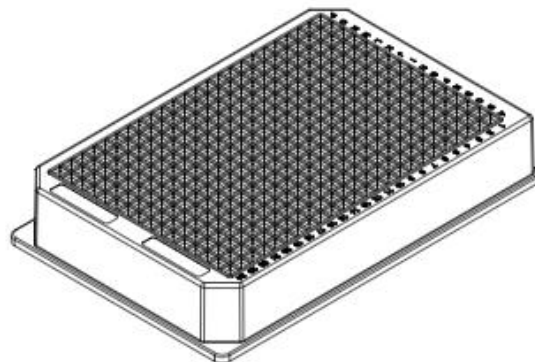
Plate: PP

Technical drawing and measurements

| VWR Catalog Number | Plate dimensions | | | Well Bottom |
|--------------------|------------------|------------|-------------|-------------|
| | Length (mm) | Width (mm) | Height (mm) | |
| 43004-0120 | 127.76 | 85.48 | 16.0 | V |
| 43004-0200 | 127.76 | 85.48 | 22.5 | V |



384 well plate 120 µL V-bottom



384 well plate 200 µL V-bottom

Description

Capmats



Capmats

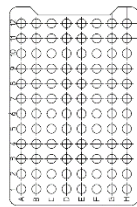
| VWR Catalog Number | Description | Suitable to use with | Packed | Pk |
|--------------------|---------------------------|--|--------|-----|
| 43001-0017 | 96 Plate Round Well 1 mL | 43001-0010 43001-0016 43001-0116 | 5 x 20 | 100 |
| 43001-0022 | 96 Plate Square Well 2 mL | 43001-0020 | 5 x 20 | 100 |
| 43001-0069 | 48 Plate Square Well 5 mL | 43001-0062 | 5 x 20 | 100 |
| 43001-0070 | 24 Plate Square Well 5 mL | 43001-0066 | 5 x 20 | 100 |
| 43001-0104 | Plate Medio | 43001-0101 43001-0102 43001-0103 | 5 x 20 | 100 |

Material

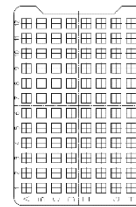
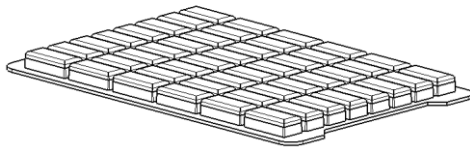
Plate: EVA

Technical drawing and measurements

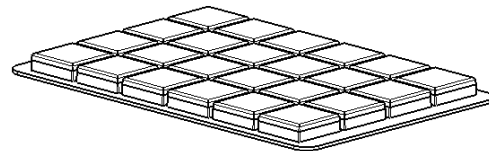
| VWR Catalog Number | Plate dimensions | | |
|--------------------|------------------|------------|-------------|
| | Length (mm) | Width (mm) | Height (mm) |
| 43001-0017 | 119.0 | 77.0 | 4.8 |
| 43001-0022 | 120.0 | 78.0 | 4.5 |
| 43001-0069 | 120.8 | 78.5 | 5.8 |
| 43001-0070 | 120.8 | 78.5 | 6.0 |
| 43001-0104 | 120.0 | 80.0 | 4.2 |



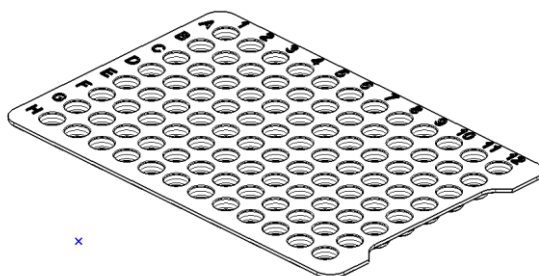
96 Plate Round Well 1 mL



96 Plate Square Well 2 mL



48 Plate Square Well 5 mL



24 Plate Square Well 5 mL

Plate Medio