

Thermo Scientific Automation Pipette Tips

Made to fit the Eppendorf epMotion automated pipetting system

- Accurate and precise performance
- Low percentage Coefficient of Variation (%CV)
- Validated on the actual instrument for which the tip is created
- Available in three sizes and non-sterile, sterile or sterile filtered



Receive a **FREE** automation tip sample!

Contact your local VWR sales representative today to request your free epMotion pipette tips sample.

Thermo Scientific™ automation pipette tips specifically designed for the Eppendorf® epMotion® automated pipetting system are validated and tested on an actual epMotion workstation and offer the same quality and performance for trouble-free pipetting. Each pipette tip undergoes a rigorous

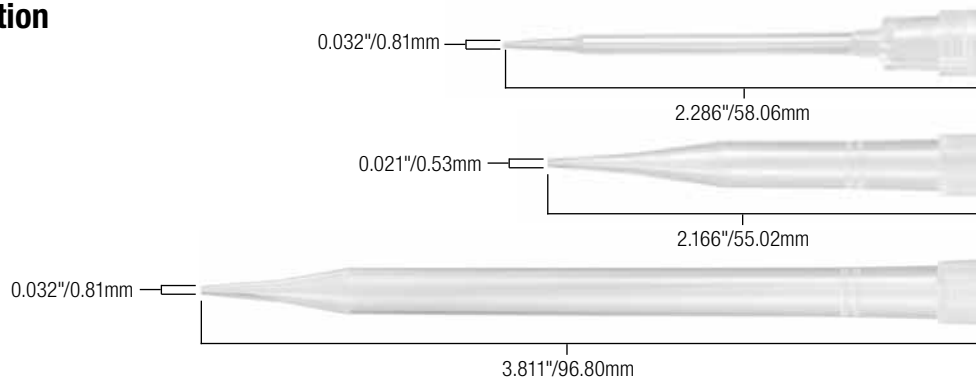
15-point quality control program to ensure consistency thus providing accurate and precise performance achieved by superior tip straightness and a low coefficient of variation. Sterile tips are certified free of RNase, DNase, DNA, endotoxin, bioburden and pyrogen.



Technical Data Comparison*			
Percent Coefficient of Variation			
Tip Size	Dispense Volume	Eppendorf	Thermo Scientific
50 µl	50 µl	0.5%	0.5%
300 µl	200 µl	0.5%	0.5%
1000 µl	200 µl	0.5%	0.5%

* Performed on the Artel Multichannel Verification System (MVS®).
For comparison only. Individual results may vary.

Ordering information



Automation Pipette Tips made to fit the Eppendorf epMotion automated pipetting system

VWR Cat. No.	Description	Packaging
89428-720	50 µl, Clear, Sterile, Filtered	96 Tips/Rack, 10 Racks/Pack, 4 Packs/Case
89428-722	50 µl, Clear, Sterile	96 Tips/Rack, 10 Racks/Pack, 4 Packs/Case
89428-724	50 µl, Clear, Non Sterile	96 Tips/Rack, 10 Racks/Pack, 4 Packs/Case
89428-726	300 µl, Clear, Sterile, Filtered	96 Tips/Rack, 10 Racks/Pack, 4 Packs/Case
89428-728	300 µl, Clear, Sterile	96 Tips/Rack, 10 Racks/Pack, 4 Packs/Case
89428-730	300 µl, Clear, Non Sterile	96 Tips/Rack, 10 Racks/Pack, 4 Packs/Case
89428-732	1000 µl, Clear, Sterile, Filtered	96 Tips/Rack, 10 Racks/Pack, 4 Packs/Case
89428-734	1000 µl, Clear, Sterile	96 Tips/Rack, 10 Racks/Pack, 4 Packs/Case
89428-736	1000 µl, Clear, Non Sterile	96 Tips/Rack, 10 Racks/Pack, 4 Packs/Case

Accessories

Thermo Scientific Automation Reservoirs

Designed for simple, economical handling of reagents on automated liquid handling platforms, Thermo Scientific automation reservoirs provide standard SBS dimensions which ensures compatibility with plate stackers and handlers.



Automation Reservoirs

VWR Cat. No.	Description	Packaging
89200-080	96-Channel Reservoir, Non Sterile	20 Reservoirs/Case
89200-078	96-Channel Reservoir, Sterile, Individually Wrapped	20 Reservoirs/Case
89200-084	96-Channel Deep Well Reservoir, Non Sterile	20 Reservoirs/Case
89200-082	96-Channel Deep Well Reservoir, Sterile, Individually Wrapped	20 Reservoirs/Case
89200-088	384-Channel Reservoir, Non Sterile	20 Reservoirs/Case
89200-086	384-Channel Reservoir, Sterile, Individually Wrapped	20 Reservoirs/Case

This product is sold under license from Eppendorf AG.

“Eppendorf” and “epMotion” are registered trademarks of Eppendorf AG. “MVS” is a registered trademark of Artel, Inc. All other trademarks are the property of Thermo Fisher Scientific Inc. and its subsidiaries.



1.800.932.5000 | vwr.com

Prices and product details are current when published, subject to change without notice. | Certain products may be limited by federal, state, provincial, or local regulations. | VWR makes no claims or warranties concerning sustainable/green products. Any claims concerning sustainable/green products are the sole claims of the manufacturer and not those of VWR International, LLC. All prices are in US dollars unless otherwise noted. Offers valid in US and Canada, void where prohibited by law or company policy. While supplies last. | VWR, the VWR logo and variations on the foregoing are registered (®) or unregistered trademarks and service marks of VWR International, LLC and its related companies. All other marks referenced are registered by their respective owner(s). | Visit vwr.com to view our privacy policy, trademark owners and additional disclaimers. © 2012 VWR International, LLC. All rights reserved.

Thermo
SCIENTIFIC