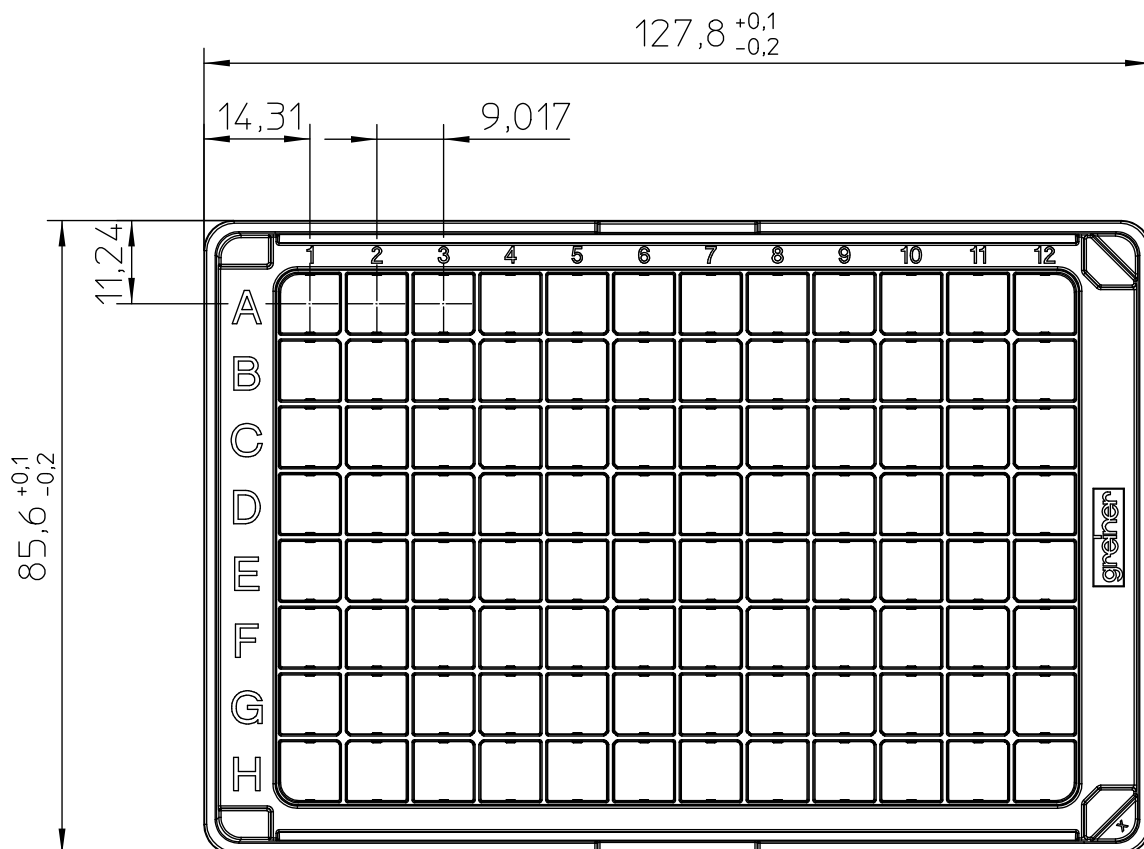
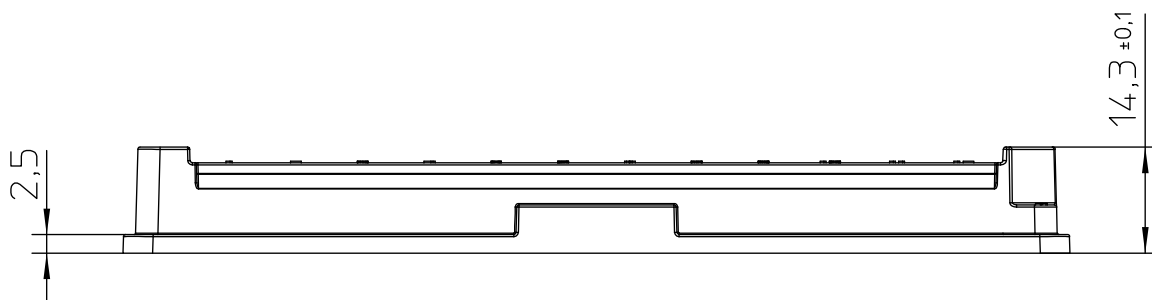


Valid for Item-No.: 705063, 705064, 705065, 705066, 705070, 705071, 705073, 705074, 705075, 705076



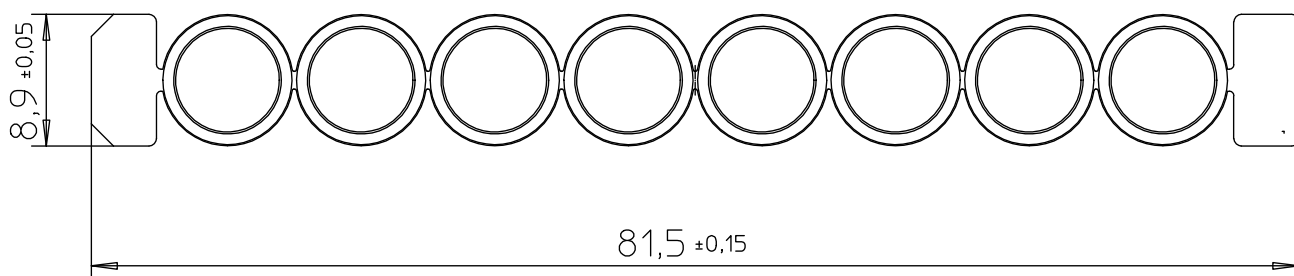
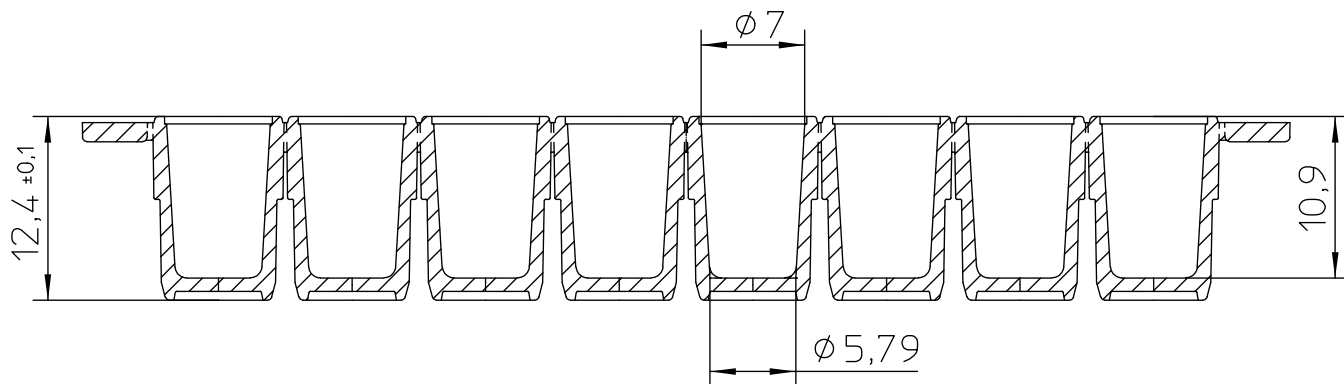
"All dimensions in mm"

Customer drawing subject to change without notice!

Uncontrolled Copy

Prior Issue	Drawn	Approved	Released	CONFIDENTIAL: Information contained in this document or drawing is confidential and proprietary to Greiner Bio-One GmbH. This document may not be reproduced for any reason without written permission from Greiner Bio-One GmbH. All rights of design, invention, and copyright are reserved.
Revision 3	Date 2011/08/16	Date 2014/07/15	Date 2014/07/15	
Date 2014/02/10	Name falter	Name schwarzj	Name sonntag	

Valid for Item-No.: 705063, 705064, 705065, 705066, 705070, 705071, 705073, 705074, 705075, 705076



"All dimensions in mm"

Customer drawing subject to change without notice!

Uncontrolled Copy

Prior Issue	Drawn	Approved	Released	CONFIDENTIAL: Information contained in this document or drawing is confidential and proprietary to Greiner Bio-One GmbH. This document may not be reproduced for any reason without written permission from Greiner Bio-One GmbH. All rights of design, invention, and copyright are reserved.
Revision 3	Date 2011/08/16	Date 2014/07/15	Date 2014/07/15	
Date 2014/02/10	Name falter	Name schwarzj	Name sonntag	