
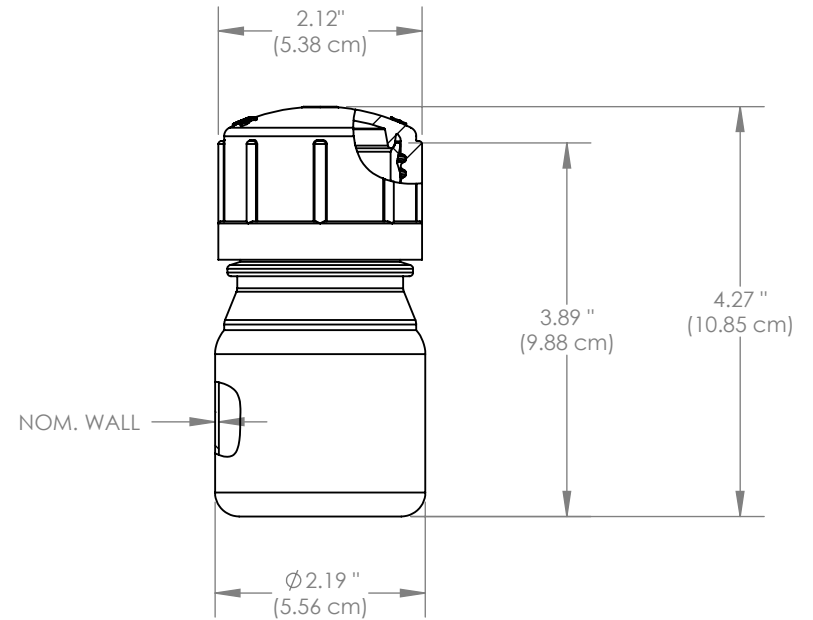
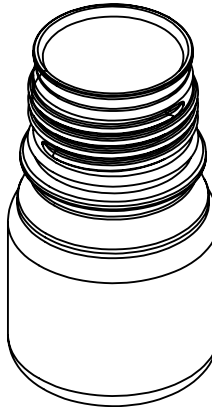
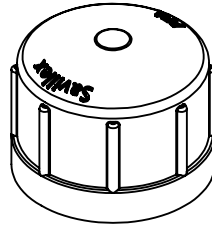


NOMINAL CAPACITY	100 mL	3.4 oz.
OVERFLOW CAPACITY	165 mL	5.6 oz.
MATERIALS	CAP	VIRGIN PFA CAS #26655-00-5
	BOTTLE	VIRGIN PFA CAS #26655-00-5
THREAD	GL45	
NOMINAL WEIGHT	CAP	56 g 0.12 lbs.
	BOTTLE	62 g 0.14 lbs.
	TOTAL	118 g 0.26 lbs.
OPENING I.D.	1.46"	3.71 cm
NOMINAL WALL	.040"	.10 cm
MANUFACTURING ENVIRONMENT	CLASS 10,000 (ISO 7)	
BOTTLE MARKINGS	SAVILLEX 100 mL OTHER PFA 	
CAP MARKINGS	SAVILLEX PFA	
PACKAGING	INDIVIDUALLY CAPPED AND LDPE BAGGED	
LABEL ON PACKAGING	PART NUMBER: 150-01-0100 QTY: 1 MFG. LOT: _____	
CAP TORQUE	MINIMUM: HAND TIGHT RECOMMENDED: 35 IN-LB	
USP CLASS VI CERTIFIED	YES	
ADCF	CERTIFIED FREE OF ANIMAL DERIVED COMPONENTS	
AUTOCLAVABLE: 121°C	YES	


Purillex



NOTES:

1. ALL DIMENSIONS ARE NOMINAL AND IN INCHES AND CENTIMETERS UNLESS OTHERWISE NOTED.
2. THIS IS NOT A PRODUCTION DRAWING BUT IS FOR INFORMATIONAL PURPOSES ONLY AND IS SUBJECT TO CHANGE WITHOUT NOTICE.

PROPRIETARY AND CONFIDENTIAL
THE INFORMATION CONTAINED IN THIS DRAWING IS THE SOLE PROPERTY OF SAVILLEX CORPORATION. ANY REPRODUCTION IN PART OR AS A WHOLE WITHOUT THE WRITTEN PERMISSION OF SAVILLEX CORPORATION IS PROHIBITED.

UNLESS OTHERWISE SPECIFIED: DIMENSIONS ARE IN INCHES TOLERANCES: FRACTIONAL ± 1/32" ANGULAR: ± .5 DEG. TWO PLACE DECIMAL ± .020" THREE PLACE DECIMAL ± .005"	NAME	DATE	 <p>10321 West 70th St. Eden Prairie, MN 55344-3446 USA (952)935-4100</p>
MATERIAL	DRAWN		
FINISH	ENG. APPR.		
DO NOT SCALE DRAWING	TOOL APPR.		
	MFG APPR.		
	Q.A.		
	COMMENTS:		<p>TITLE: 100mL PFA BOTTLE, SPECIFICATIONS</p> <p>SIZE A DWG. NO. 300647-C REV. C</p> <p>SCALE: 1:2 WEIGHT: LBS. SHEET 2 OF 2</p>