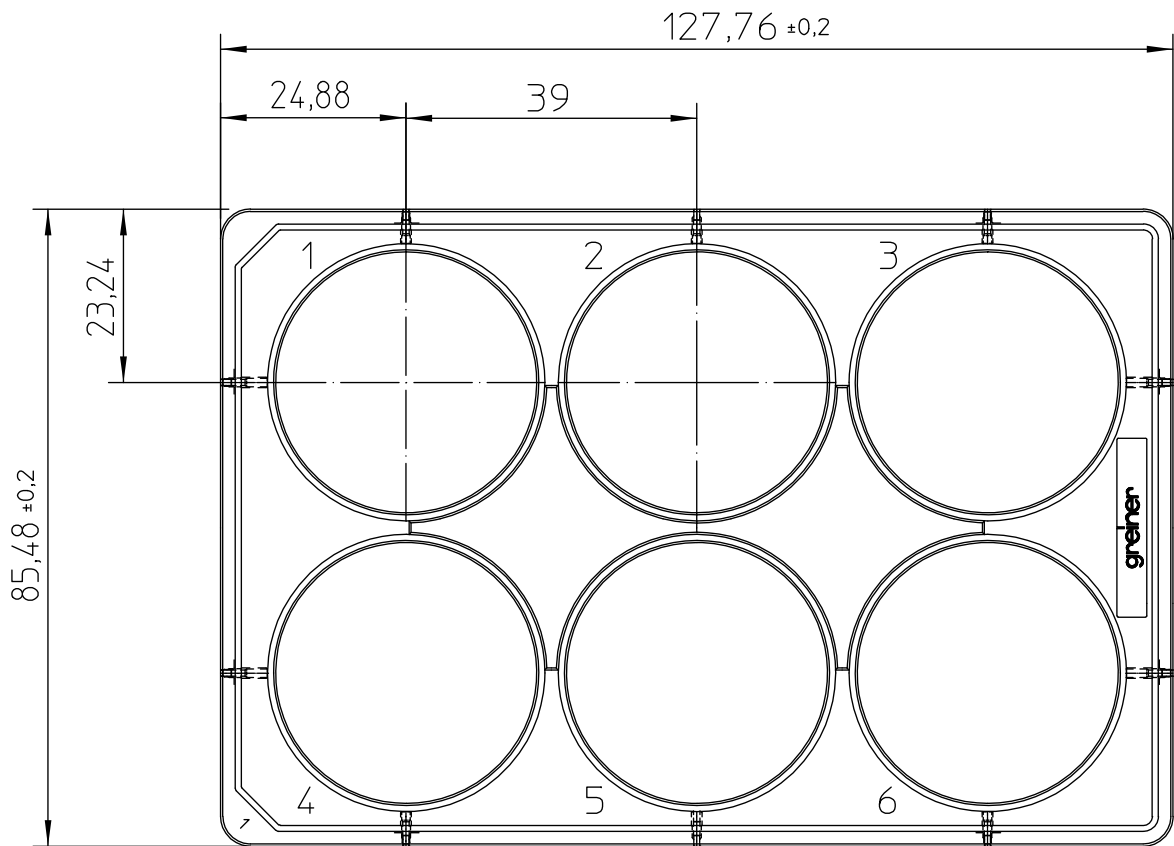
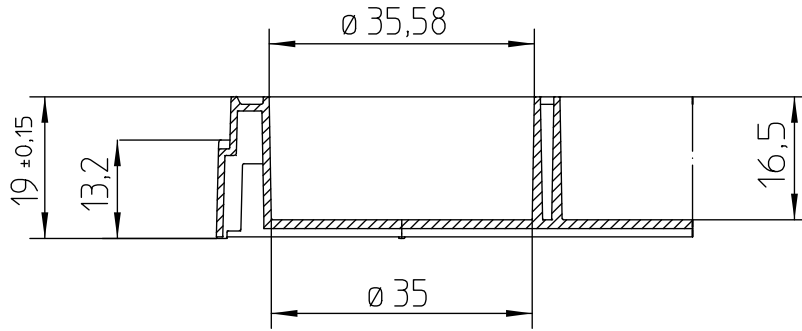


Valid for Item-No.: 657102, 657160, 657185, 657970



"All dimensions in mm"

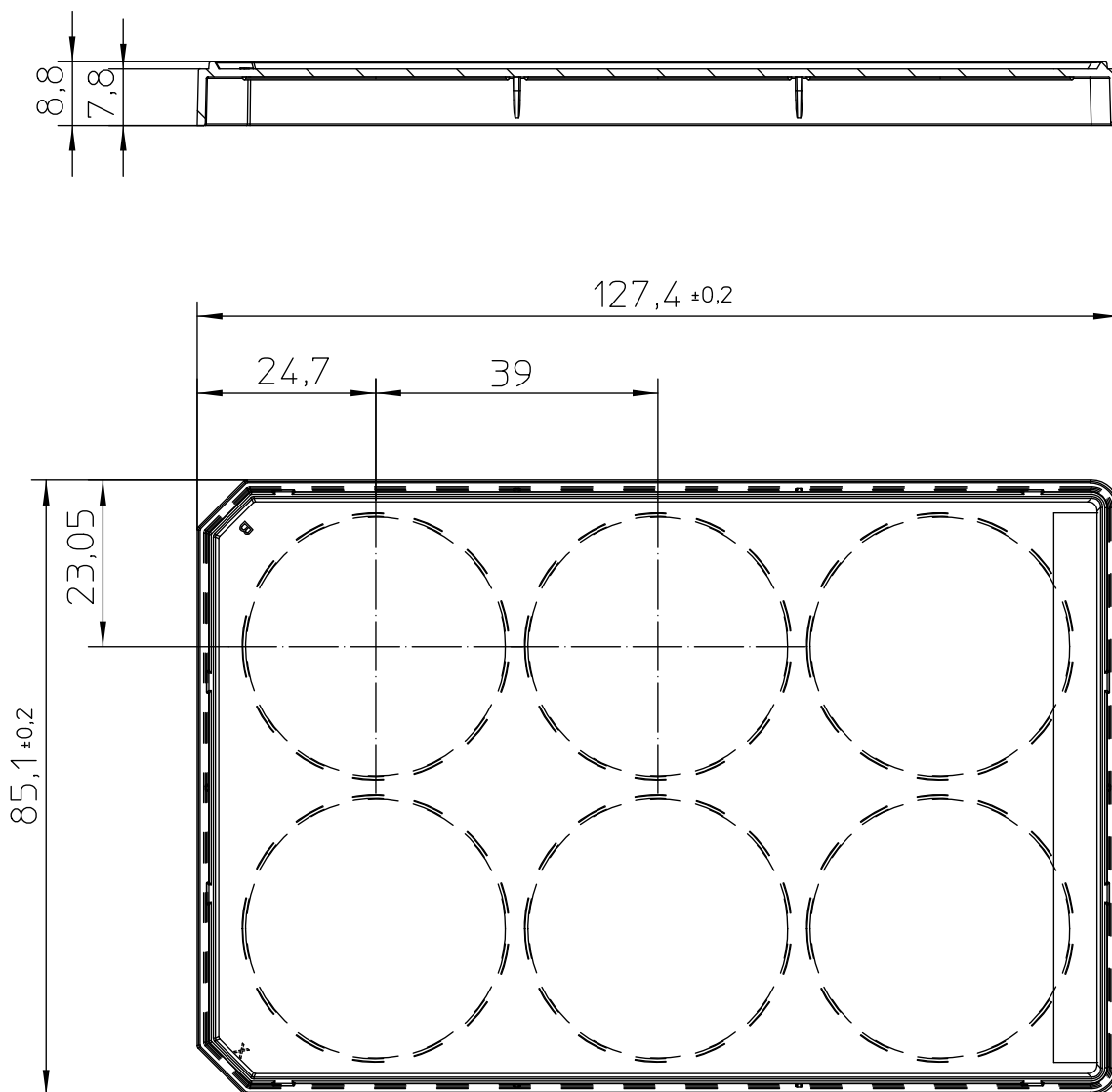
Customer drawing subject to change without notice!

Uncontrolled Copy

Prior Issue	Drawn	Approved	Released	CONFIDENTIAL: Information contained in this document or drawing is confidential and proprietary to Greiner Bio-One GmbH. This document may not be reproduced for any reason without written permission from Greiner Bio-One GmbH. All rights of design, invention, and copyright are reserved.
Revision 2	Date 2011/06/22	Date 2012/11/30	Date 2012/11/30	
Date 2012/11/27	Name falter	Name falter	Name sonntag	



Valid for Item-No.: 657102, 657160, 657185, 657970



"All dimensions in mm"

Customer drawing subject to change without notice!

Uncontrolled Copy

Prior Issue	Drawn	Approved	Released	CONFIDENTIAL: Information contained in this document or drawing is confidential and proprietary to Greiner Bio-One GmbH. This document may not be reproduced for any reason without written permission from Greiner Bio-One GmbH. All rights of design, invention, and copyright are reserved.
Revision 2	Date 2011/06/22	Date 2012/11/30	Date 2012/11/30	
Date 2012/11/27	Name falter	Name falter	Name sonntag	