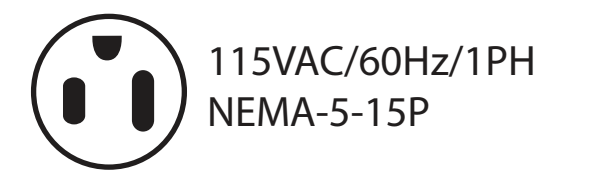
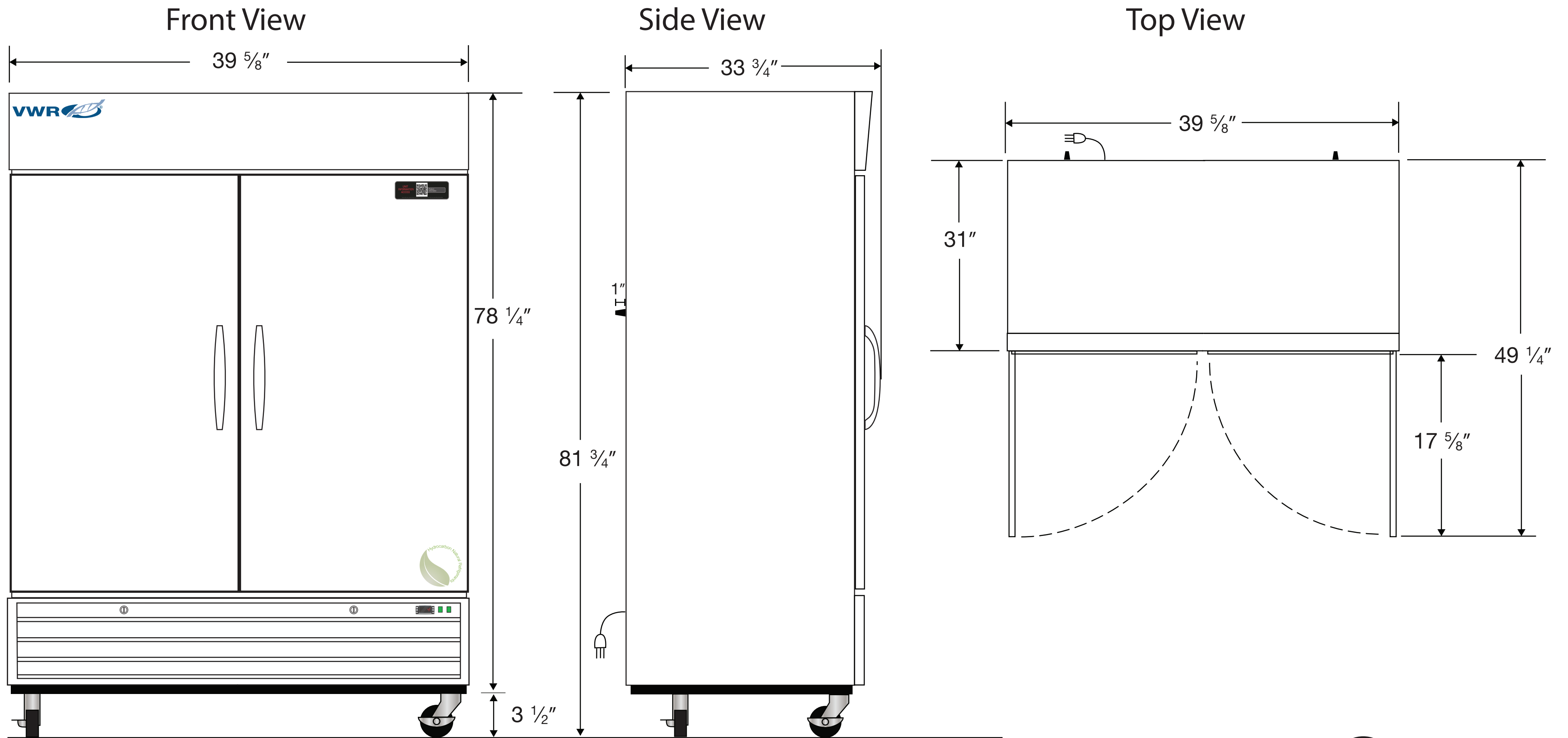


Exterior


Cat# 76579-162/VWR-HC-SLS-36

Cu.Ft.	Defrost	Door	Int Door	Shelves	W"	D"	H"	Refrigerant	H.P.	Amps	Weight
36	Cycle	2 Solid	0	8 Adj.	39 5/8	34 3/4	81 3/4	R290	1/4	4.5	310 lbs.