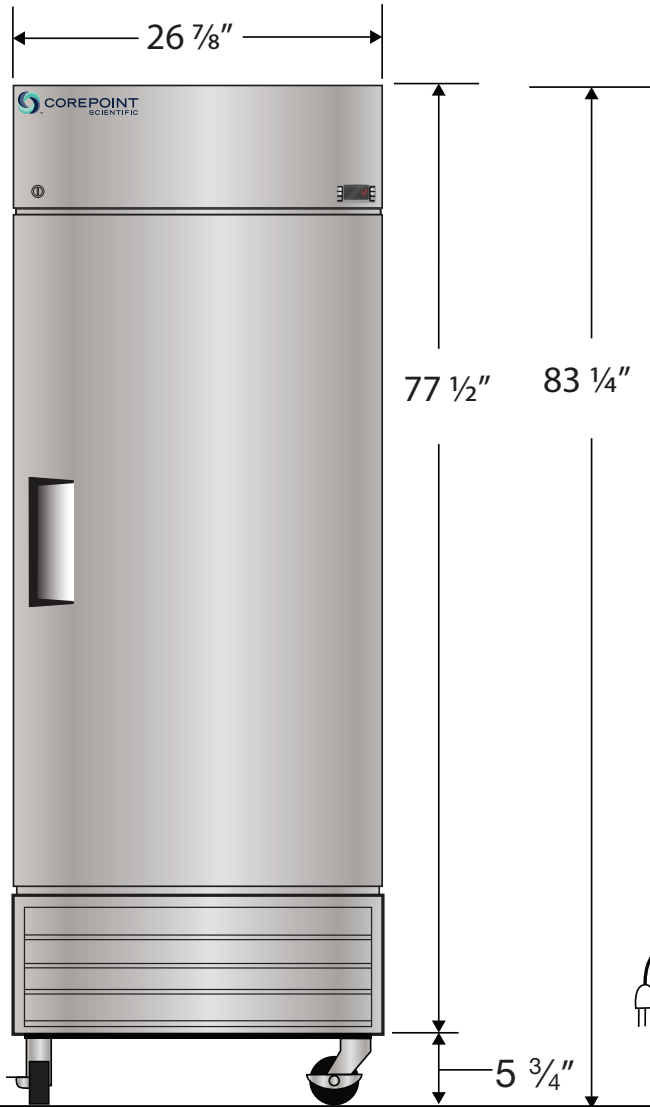


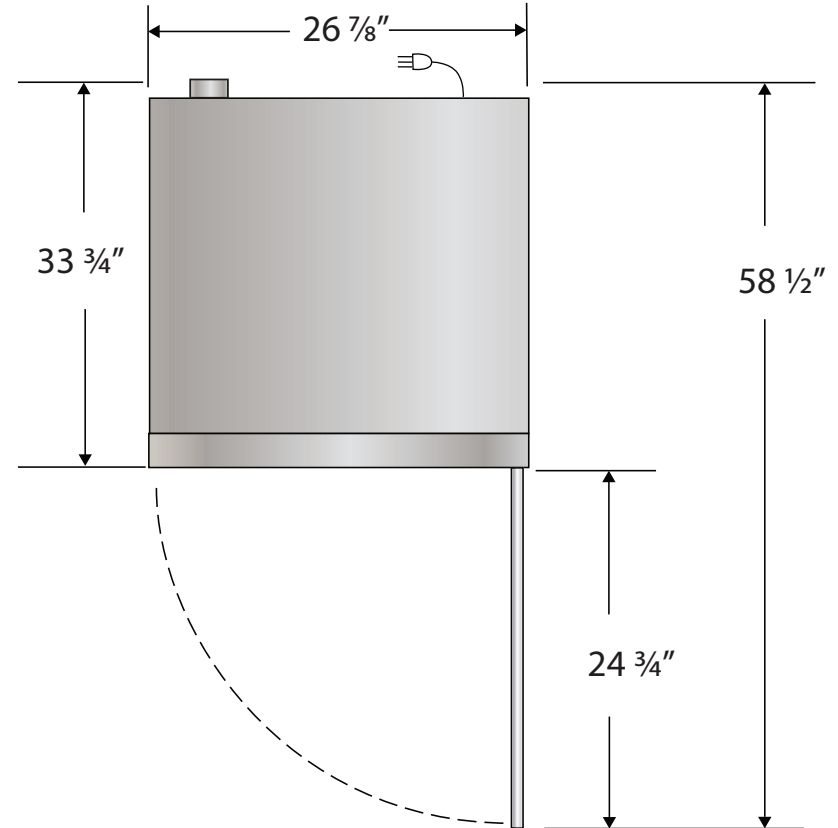
Front View



Side View



Top View



115VAC/60Hz/1PH
NEMA-5-15P

Cu. Ft	Defrost	Door	Int Door	Shelves	W"	D"	H"	Refrigerant	H.P.	Amps	Weight
23	Cycle	1 Solid	0	3 Adj.	26 ⁷ / ₈	33 ³ / ₄	83 ¹ / ₄	R290	¹ / ₅	3	285 lbs.