

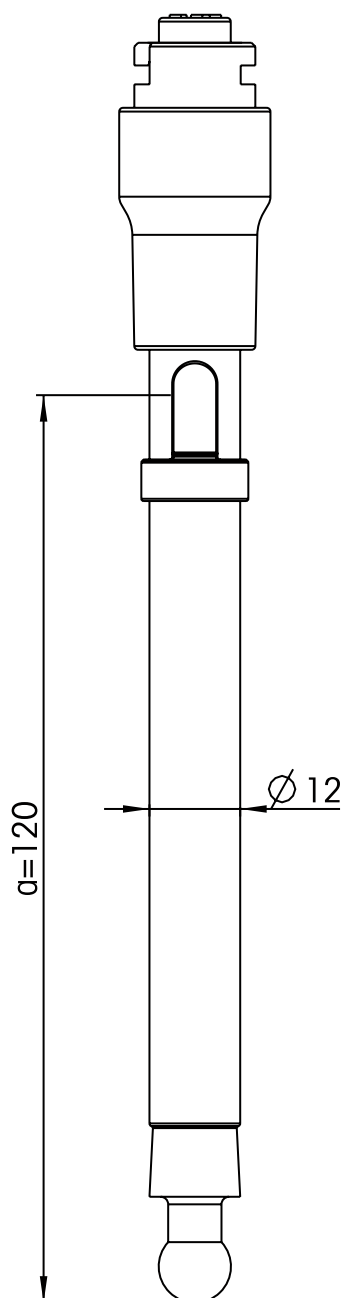
InLab® Cool Pro-ISM

For cold samples

pH Ref °C ISM



Scale 1:1



Sensor type combined pH electrode

Order number 30247850

Specifications

pH range 1...11
zero point (pH) 7.00 ± 0.25

temperature range $-30...80$ °C
temperature probe NTC 30 k Ω

shaft material glass
membrane glass LoT
membrane resistance < 50 M Ω

reference system ARGENTHAL™
reference diaphragm fixed glass sleeve
reference electrolyte FRISCOLYT-B®
bridge electrolyte -

electrode head MultiPin™
cable length -
connector -

cell constant (cm⁻¹) -
cell type -

indicating metal -

Storage

InLab storage solution (30111142)
or 3 mol/L KCl (51350072)