

# COMPRESSION FITTINGS & STOPCOCKS

## Polytetrafluoroethylene (PTFE)

Body and ferrules made of virgin PTFE. The nut and ferrule-gripper is made of PVDF. Performance at ambient room conditions: 120psi for 1/16in fittings linear decreasing to 80psi for 3/4in fittings, and 60psi for fittings larger than 3/4in. Performance at elevated temperatures up to 85°C/185°F: 90psi for 1/16in fittings linear decreasing to 60psi for 3/4in fittings and 40psi for fittings larger than 3/4in.



### Tube Compression Elbow to Male NPT

- Wetted surfaces use chemically resistant PTFE.
- Compression style fitting with gripping ring.
- Great with vacuum or pressure.

Tubing O.D.	NPT Size	Avantor Cat. No.
1/8	1/8	10099-338
3/16	1/8	10099-340
1/4	1/8	10099-342
3/8	1/8	10099-346
1/8	1/4	10099-348
1/4	1/4	10099-350
3/8	1/4	10099-352
1/4	3/8	10099-354
3/8	3/8	10099-356
1/2	3/8	10099-358
3/8	1/2	10099-360
1/2	1/2	10099-362
1	1/2	10099-364
3/4	3/4	10099-366
1	1	10099-368



### 2-Way Stopcock

- Wetted surfaces use chemically resistant PTFE.
- Compression style PTFE fitting with PVDF gripping ring or female NPT.
- Great with vacuum or pressure (60 PSI max).
- 110°C Media Temperature

#### Female NPT Stopcocks

Tubing O.D.	Avantor Cat. No.
1/8	10099-046
1/4	10099-050
3/8	10099-054
1/2	10099-058
3/4	10099-062

#### Tube Compression Stopcocks

1/8	10099-048
1/4	10099-052
3/8	10099-056
1/2	10099-060
3/4	10099-064

### Also available upon request:

- 3-way and 4-way stopcocks
- Panel mounting
- Metric tube ends
- Male NPT connections
- Sanitary Connections



### Tube Compression Elbow Union

- Wetted surfaces use chemically resistant PTFE.
- Compression style fitting with gripping ring.
- Great with vacuum or pressure.

Tubing O.D.	Avantor Cat. No.
1/8	10099-368
3/16	10099-370
1/4	10099-272
3/8	10099-274
1/2	10099-276
3/4	10099-278
1	10099-280

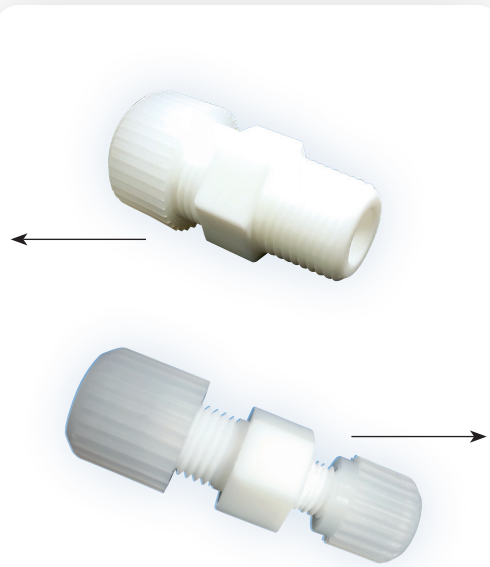
# COMPRESSION FITTINGS

## Polytetrafluoroethylene (PTFE)

Body and ferrules made of virgin PTFE. The nut and ferrule-gripper is made of PVDF. Performance at ambient room conditions: 120psi for 1/16in fittings linear decreasing to 80psi for 3/4in fittings, and 60psi for fittings larger than 3/4in. Performance at elevated temperatures up to 85°C/185°F: 90psi for 1/16in fittings linear decreasing to 60psi for 3/4in fittings and 40psi for fittings larger than 3/4in.

### Tube Compression to Male NPT

Tubing O.D.	NPT Size	Avantor Cat. No.
1/16	1/8	10099-242
1/8	1/8	10099-244
3/16	1/8	10099-246
1/4	1/8	10099-248
5/16	1/8	10099-250
4 mm	1/8	10099-252
6 mm	1/8	10099-254
1/8	1/4	10099-256
1/4	1/4	10099-258
5/16	1/4	10099-260
3/8	1/4	10099-262
1/2	1/4	10099-264
6 mm	1/4	10099-266
8 mm	1/4	10099-268
10 mm	1/4	10099-270
1/4	3/8	10099-272
5/16	3/8	10099-274
3/8	3/8	10099-276
1/2	3/8	10099-278
10 mm	3/8	10099-280
12 mm	3/8	10099-282
1/4	1/2	10099-284
3/8	1/2	10099-286
1/2	1/2	10099-288
12 mm	1/2	10099-290
3/4	3/4	10099-292
1	3/4	10099-294
1	1	10099-296



### Tube Compression Reducing Union

Tubing O.D.	NPT Size	Avantor Cat. No.
3/16	1/8	10099-318
1/4	1/8	10099-320
5/16	1/8	10099-322
1/4	3/16	10099-324
5/16	1/4	10099-326
3/8	1/4	10099-328
1/2	1/4	10099-330
3/4	1/2	10099-332
1	1/2	10099-334
1	3/4	10099-336

- Wetted surfaces use chemically resistant PTFE.
- Compression style fitting with gripping ring.
- Great with vacuum or pressure.
- Wide variety of sizes (special configurations upon request).
- Also available in bore-through to allow for rigid tubing to pass completely through fitting.