

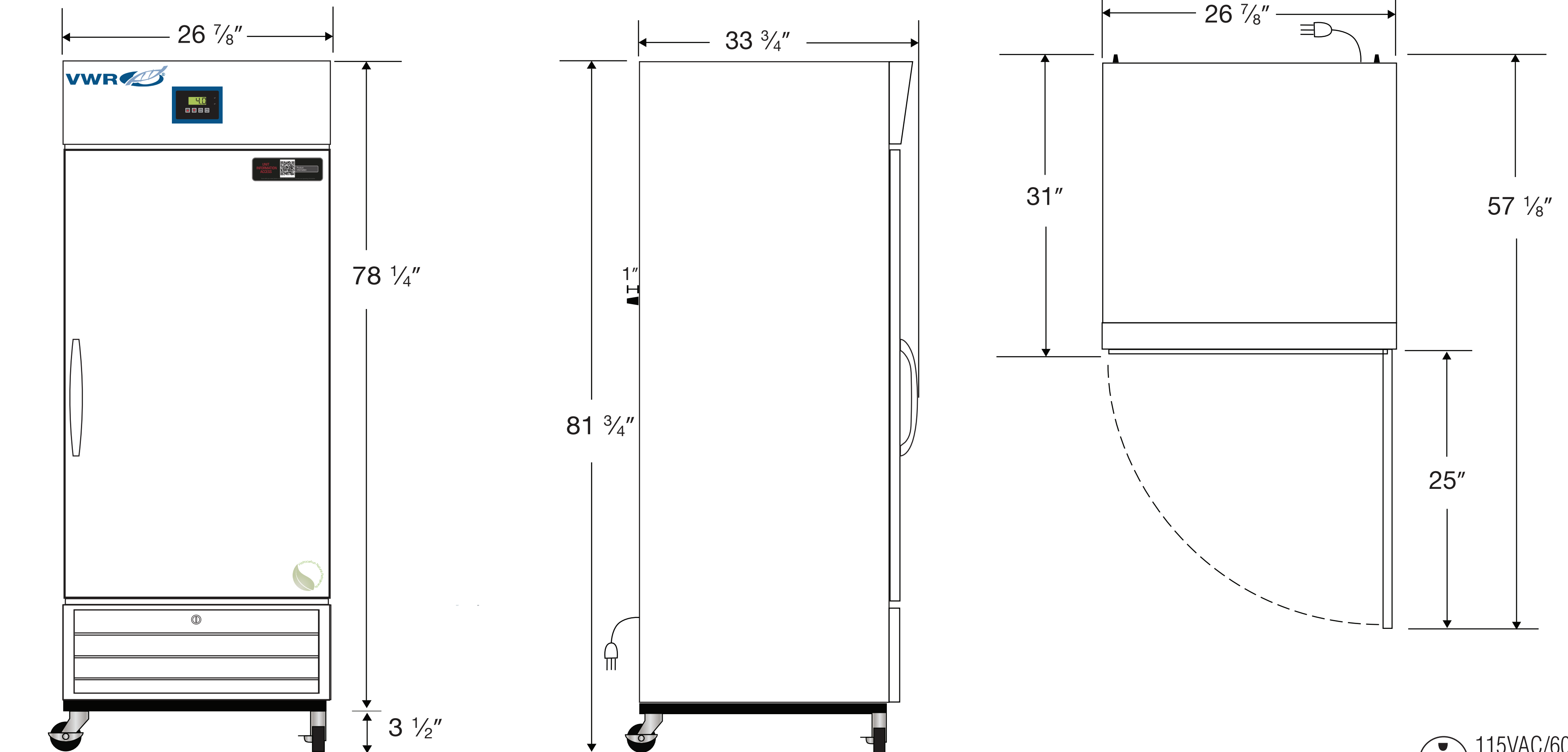
Exterior



Front View

Side View

Top View



 115VAC/60Hz/1PH
 NEMA-5-15P

Cat# 76579-110/VWR-HC-23S

Cu.Ft.	Defrost	Door	Int Door	Shelves	W"	D"	H"	Refrigerant	H.P.	Amps	Weight
23	Cycle	1 Solid	0	4 Adj.	$26 \frac{7}{8}$	$34 \frac{3}{4}$	$81 \frac{3}{4}$	R290	$\frac{1}{5}$	3	210 lbs.