

VWR® 250ml Cell Attachment Treated Tissue Culture Flasks

Description: 250ML, Treated for Increased Cell Attachment, w/plug seal cap, Sterilized
250ML, Treated for Increased Cell Attachment, w/vent cap, Sterilized

Purpose: An innovative surface rendering it more hydrophilic and increasing surface stability

Materials

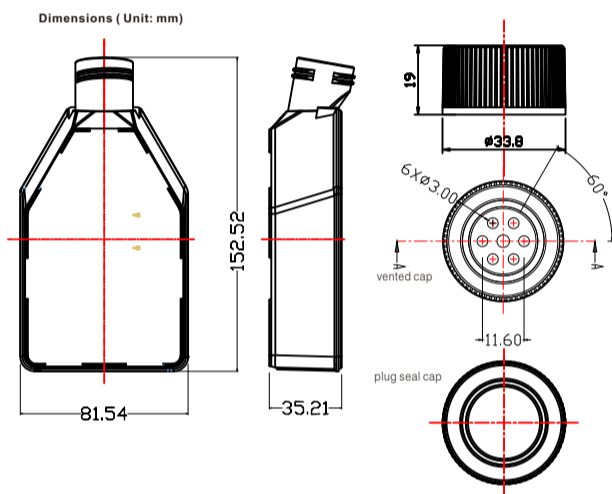
Flask: GPPS (General polystyrene) Color: Clear

Cap: HDPE(High Density Polyethylene) Color: Purple 259

Membrane: 0.22µm Hydrophobic PP (Only use for Vented Cap)

Features

- Temperature: -20°C~+50°C
- Sterilization: sterilized by gamma irradiation SAL10⁶(ISO11137)
- Latex Statement: this product is latex free
- Non-pyrogenic
- Bulk packed in zip-Lock bag
- Autoclavability: No
- Working volume: 175 ml
- Growth area: 75.0 cm²
- Every product is printed with a batch number for traceability
- Shelf Life: 3 years after month of production

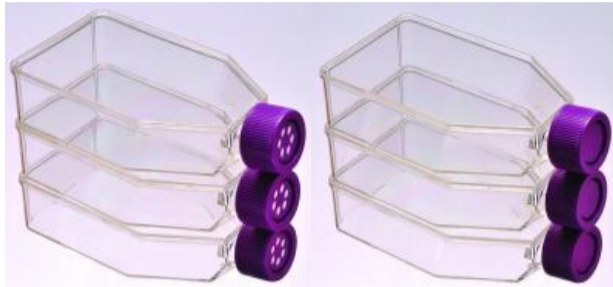


VWR® 250ml Cell Attachment Treated Tissue Culture Flasks

VWR EU Cat. No.	VWR NA Cat. No.	Description	Sterile	Qty/Bag	Qty/Pk	Qty/Case
734-2808	10861-644	250ML, Treated for Increased Cell Attachment, w/plug seal cap, Sterilized	Yes	5	25	100
734-2809	10861-646	250ML, Treated for Increased Cell Attachment, w/vent cap, Sterilized	Yes	5	25	100

Cautionary Stements

Ximus. Ximporem fugiaerae vel is dolluptaepta volupti dolore, undam, quatur, ationsequo que aliqui ne pe exeribust, omnimpel ipsamus que labo. Lo et mint estrum, of- ficatio te doluptate coresciis moloritio que consequo quis sit atus, eume nistem quas moloria qui si aut qui tem estis aut liasimiligni



VWR® 50ml Cell Attachment Treated Tissue Culture Flasks

Description: 50ML, Treated for Increased Cell Attachment, w/plug seal cap, Sterilized
50ML, Treated for Increased Cell Attachment, w/vent cap, Sterilized

Purpose: An innovative surface rendering it more hydrophilic and increasing surface stability

Materials

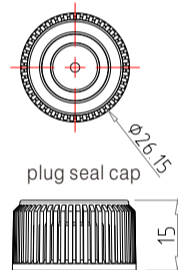
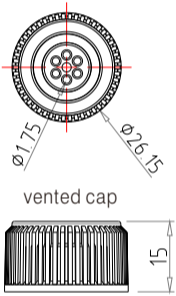
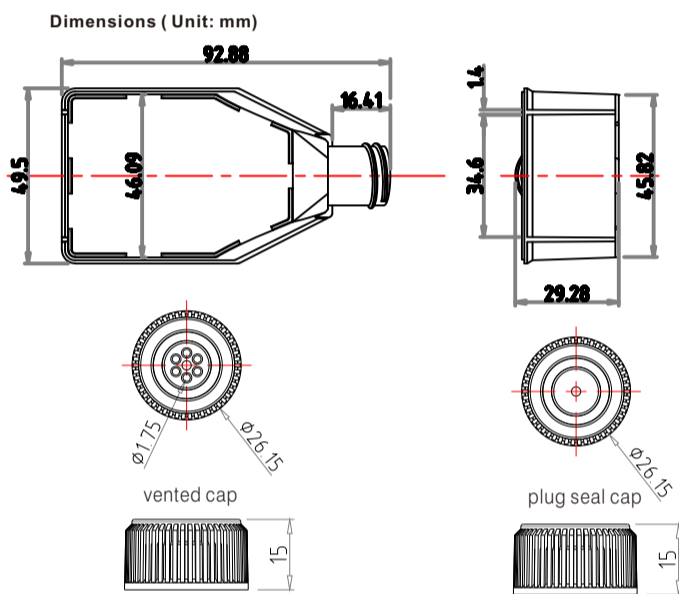
Flask: GPPS (General polystyrene) Color: Clear

Cap: HDPE(High Density Polyethylene) Color: Purple 259

Membrane: 0.22µm Hydrophobic PP (Only use for Vented Cap)

Features

- Temperature: -20°C~+50°C
- Sterilization: sterilized by gamma irradiation SAL10⁶(ISO11137)
- Latex Statement: this product is latex free
- Non-pyrogenic
- Bulk packed in zip-Lock bag
- Autoclavability: No
- Working volume: 40 ml
- Growth area: 25.0 cm²
- Every product is printed with a batch number for traceability
- Shelf Life: 3 years after month of production

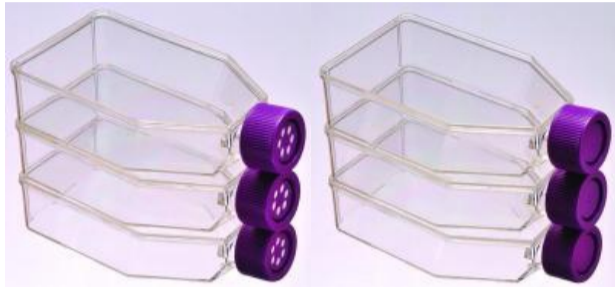


VWR® 50ml Cell Attachment Treated Tissue Culture Flasks

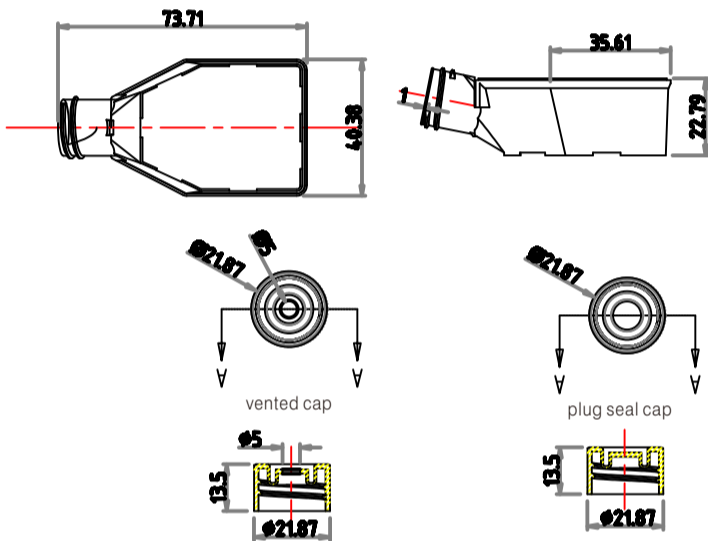
VWR EU Cat. No.	VWR NA Cat. No.	Description	Sterile	Qty/Bag	Qty/Pk	Qty/Case
734-2806	10861-640	50ML, Treated for Increased Cell Attachment, w/plug seal cap, Sterilized	Yes	10	50	200
734-2807	10861-642	50ML, Treated for Increased Cell Attachment, w/vent cap, Sterilized	Yes	10	50	200

Cautionary Stements

Ximus. Ximporem fugiaerae vel is dolluptaepta volupti dolore, undam, quatur, ationsequo que aliqui ne pe exeribust, omnimpel ipsamus que labo. Lo et mint estrum, of- ficatio te doluptate coresciis moloritio que consequo quis sit atus, eume nistem quas moloria qui si aut qui tem estis aut liasimiligni



Dimensions (Unit: mm)



VWR® 25ml Cell Attachment Treated Tissue Culture Flasks

Description: 25ML, Treated for Increased Cell Attachment, w/plug seal cap, Sterilized
25ML, Treated for Increased Cell Attachment, w/vent cap, Sterilized

Purpose: An innovative surface rendering it more hydrophilic and increasing surface stability

Materials

Flask: GPPS (General polystyrene) Color: Clear

Cap: HDPE(High Density Polyethylene) Color: Purple 259

Membrane: 0.22µm Hydrophobic PP (Only use for Vented Cap)

Features

- Temperature: -20°C~+50°C
- Sterilization: sterilized by gamma irradiation SAL10⁶(ISO11137)
- Latex Statement: this product is latex free
- Non-pyrogenic
- Bulk packed in zip-Lock bag
- Autoclavability: No
- Working volume: 20 ml
- Growth area: 12.5 cm²
- Every product is printed with a batch number for traceability
- Shelf Life: 3 years after month of production



VWR® 25ml Cell Attachment Treated Tissue Culture Flasks

VWR EU Cat. No.	VWR NA Cat. No.	Description	Sterile	Qty/Bag	Qty/Pk	Qty/Case
734-2804	10861-670	25ML, Treated for Increased Cell Attachment, w/plug seal cap, Sterilized	Yes	10	50	200
734-2805	10861-672	25ML, Treated for Increased Cell Attachment, w/vent cap, Sterilized	Yes	10	50	200

Cautionary Stements

Ximus. Ximporem fugiaerae vel is dolluptaepta volupti dolore, undam, quatur, ationsequo que aliqui ne pe exeribust, omnimpel ipsamus que labo. Lo et mint estrum, of- ficatio te doluptate coresciis moloritio que consequo quis sit atus, eume nistem quas moloria qui si aut qui tem estis aut liasimiligni