

Stone mills

Product Guide

Since 1925, MorehouseCowles stone mills have proven to be the most reliable and efficient way to process hundreds of different materials from food, cosmetics, and ceramics to paints, inks and grease.

Our stone mills break down a product or mixture to very small particle sizes. They offer grinding technology for dry to liquid processing where 100% of the material passes through the milling surfaces for superior consistency and performance.

MorehouseCowles stone mills feature a very simple design and process with extra heavy-duty construction that has earned them a reputation as the "reliable workhorse". This long-lasting reliability is only possible by using the finest materials and construction techniques. The highly polished inner surfaces facilitate easy cleaning in sanitary applications and fast product or color changes.



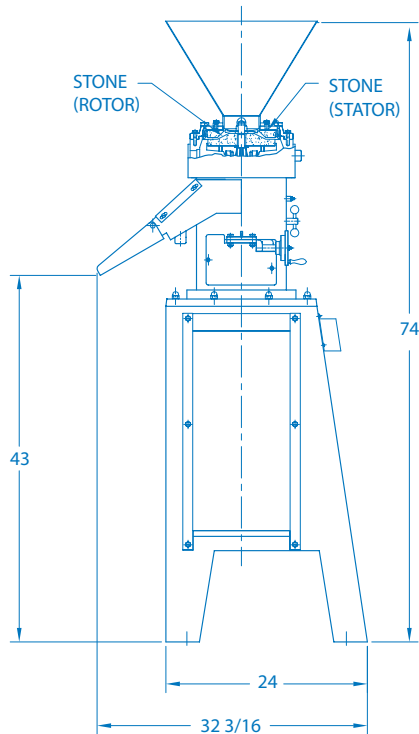
2850 series

SPECIFICATIONS

	230 SERIES	530 SERIES	830 SERIES	2850 SERIES
THROUGHPUT GAL/HR*	- 1 - 1.5	- 10 - 250	- 50 - 1500	- 100 - 4000
MOTOR	1 hp - 3600 RPM, 115/230 volt, 60 Hz, 1 phase - TEFC Class I, Division 1, Group D (explosion proof) - Across the line single speed	5 hp - 3600 RPM, 230/460 volt, 60 Hz, 3 phase - TEFC Class I, Division 1, Group D (explosion proof) - Inverter duty motor 4:1 ratio - Premium efficiency	25 hp - 3600 RPM, 230/460 volt, 60 Hz, 3 phase - TEFC Class I, Division 1, Group D (explosion proof) - Inverter duty motor 4:1 ratio - Premium efficiency	50 hp - 3600 RPM, 230/460 volt, 60 Hz, 3 phase - TEFC Class I, Division 1, Group D (explosion proof) - Inverter duty motor 4:1 ratio - Premium efficiency
DRIVE	- Direct coupled - Single full speed	- Direct coupled - Variable speed via Variable Frequency Drive (VFD/inverter)	- Direct coupled - Variable speed via Variable Frequency Drive (VFD/inverter)	- Direct coupled - Variable speed via Variable Frequency Drive (VFD/inverter)
SPINDLE	- 316 stainless steel	- 316 stainless steel	- 316 stainless steel	- 316 stainless steel
SPINDLE SPEED	- 3600 RPM	- 3600 RPM	- 3600 RPM	- 5400 RPM
STONES	- 2" diameter, 54 & 80 grit	- 5" diameter, 36 - 120 grit	- 8" diameter, 36 - 120 grit	- 8" diameter, 36 - 120 grit
PRODUCT FEED	- Funnel or optional NPT threaded inlet or Triclover adaptor	- Funnel or optional NPT threaded inlet or Triclover adaptor	- Funnel or optional NPT threaded inlet or Triclover adaptor	- Funnel or optional NPT threaded inlet or Triclover adaptor
UTILITIES REQUIRED	- Electrical power 1 phase	- Electrical power 3 phase	- Electrical power 3 phase	- Electrical power 3 phase
DIMENSIONS (WITH FUNNEL)	- 15" L X 10 1/4" W X 30" H	- 25" L X 20" W X 60" H	- 30" L X 24" W X 74" H	- 30" L X 24" W X 80" H
SPECIAL FEATURES	<ul style="list-style-type: none"> - Precision adjustment wheel - permits precise stone clearance adjustment within 0.001" for consistent processing - Dual-bearing spindle - allows positive, stable alignment of stones, connected to motor with flexible coupling for longer bearing life - Water-jacketed frame - permits optional heating or cooling of the process chamber - Collet lock - maintains exact adjustment, minimizes vibration - Quiet high-speed operation - Easy-to-clean process chamber 			
CONSTRUCTION	<ul style="list-style-type: none"> - All parts in contact with product are 316 stainless steel, except for aluminum oxide stones - All non-wetted parts are 304 stainless steel construction - 304 stainless steel base with mill finish 			

*depends on product characteristics

Made in the USA



830 series

OPTIONS:

MOTOR

1. Wash-down inverter duty motor

DRIVE

1. Variable Frequency Drive (VFD/ Inverter), NEMA 1 (non-explosion proof, for non-hazardous areas)
2. Operator Basic Pendant Remote Control, NEMA 7 (explosion proof) includes:
 - On/Off button
 - Red Mushroom Stop button
 - Potentiometer for speed control
3. Operator Master Control Remote Control, NEMA 7 (explosion proof) or NEMA 4 (water tight) includes:
 - On/Off button
 - Red Mushroom Stop button
 - Potentiometer for speed control
 - Digital ammeter
 - Digital tachometer
4. Drive Cabinet, NEMA 12 (dust proof) for protection against environment and easy installation of inverter

Made in the USA

For more information, visit [morehousecowles.com](https://www.morehousecowles.com) or contact MorehouseCowles experts today at sales@morehousecowles.com or +1 (909) 627 7222.