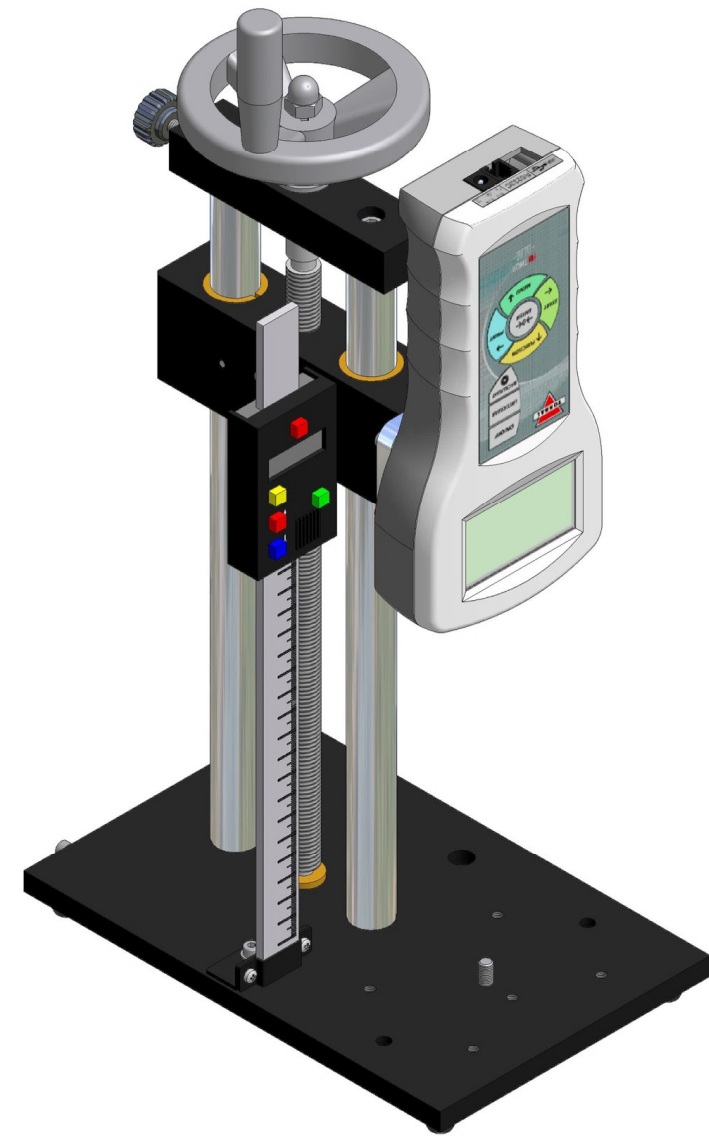
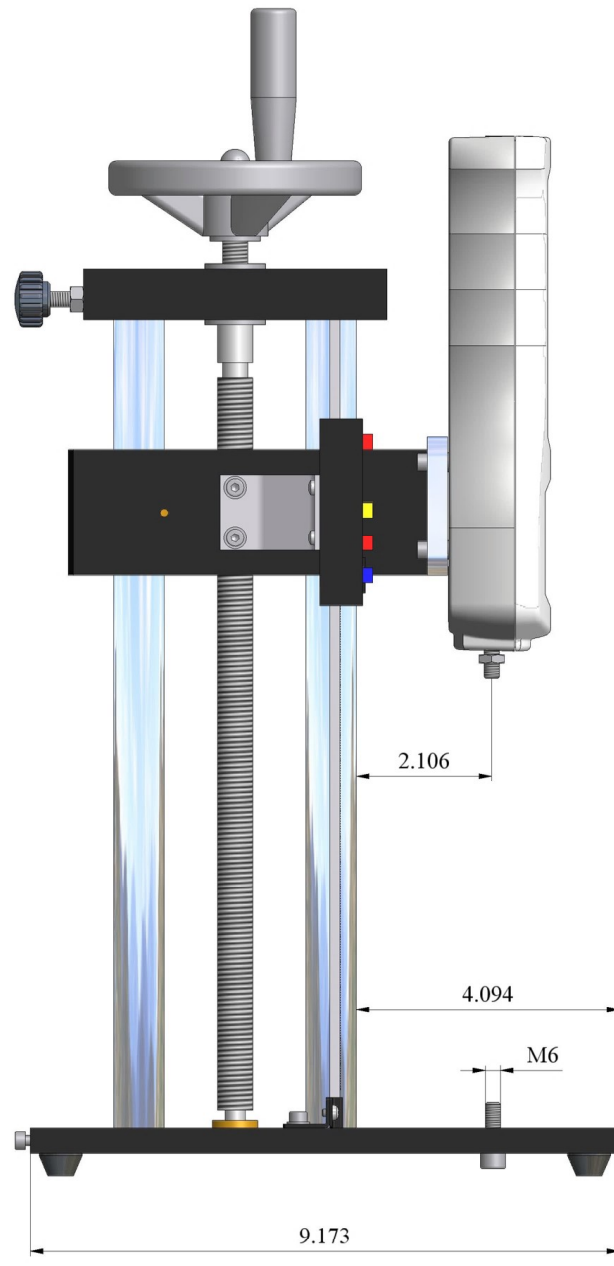
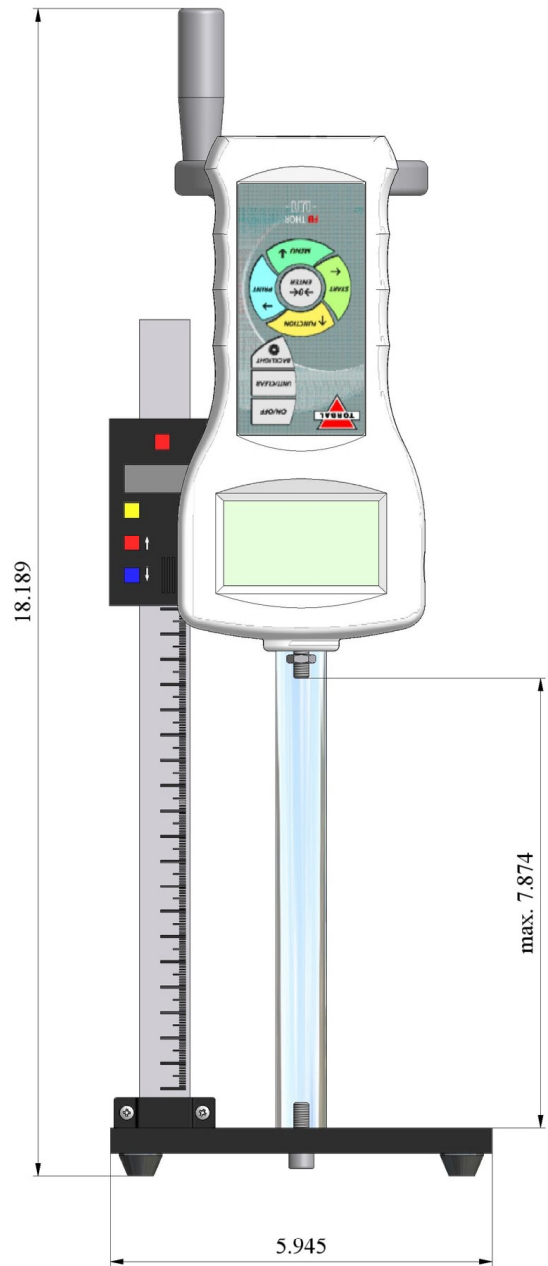
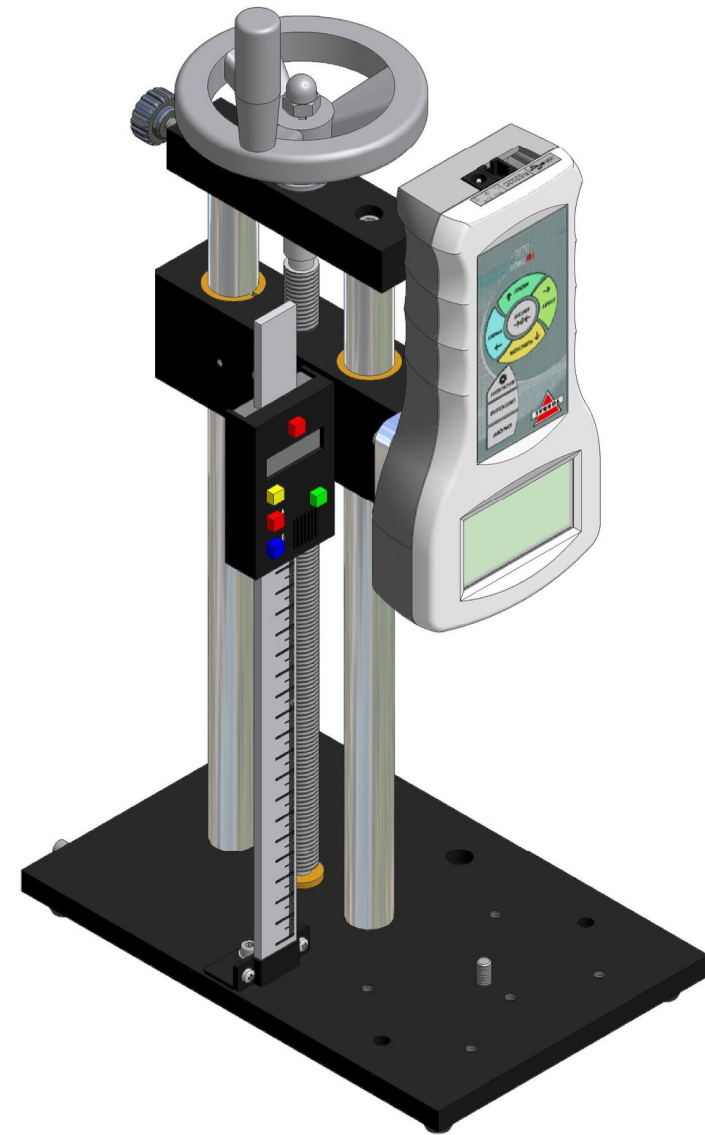
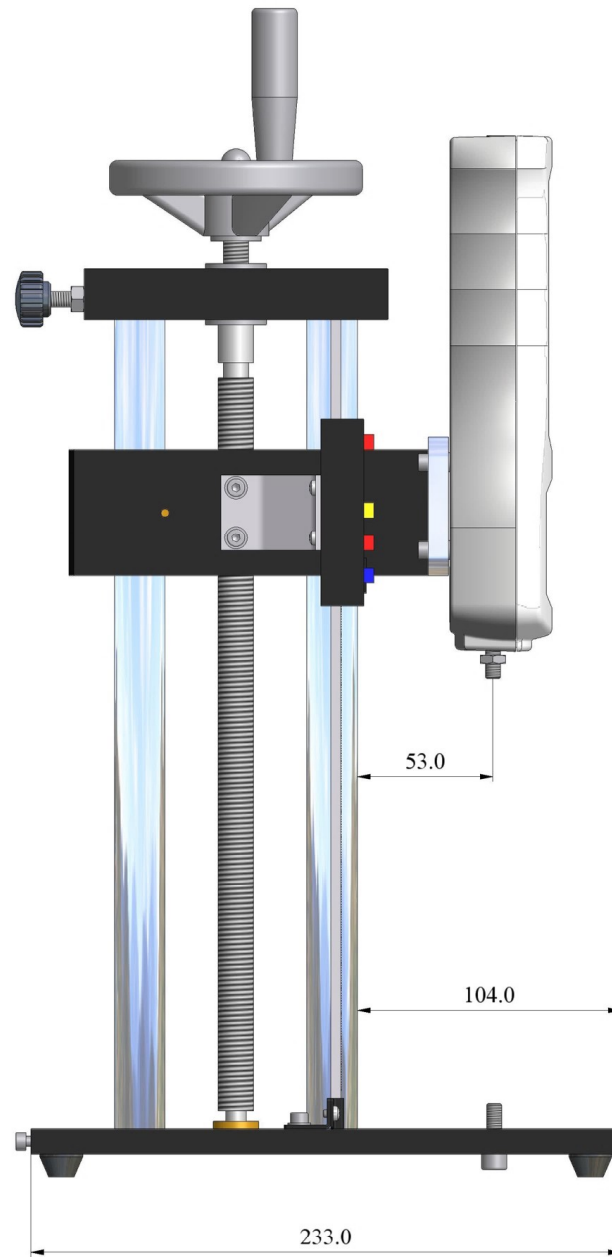
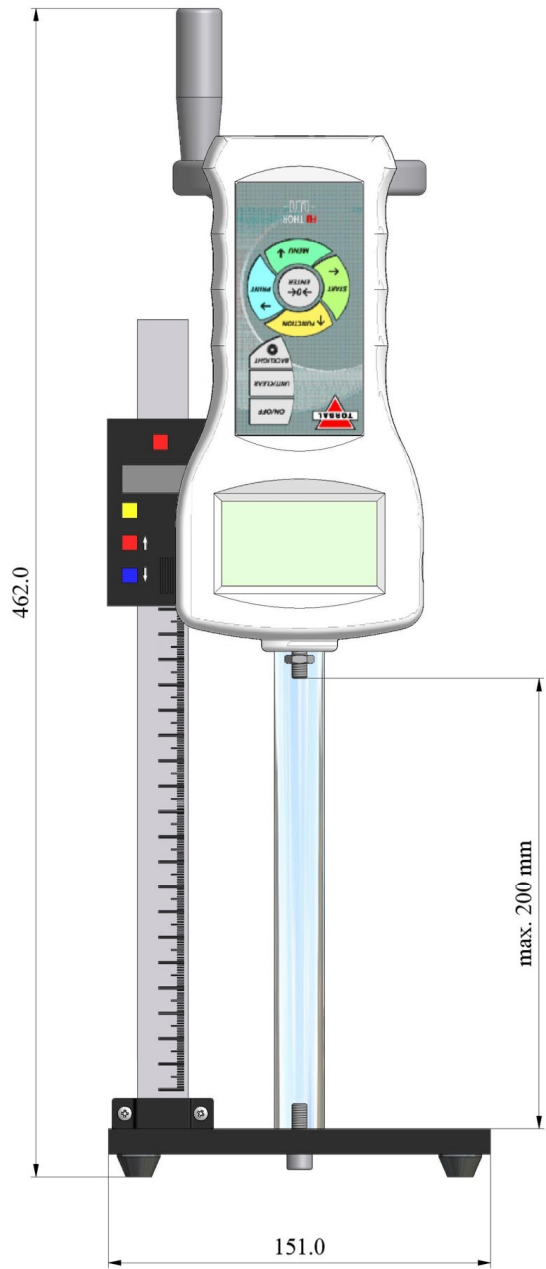


Test Stand

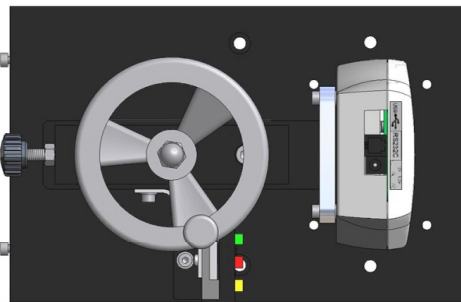
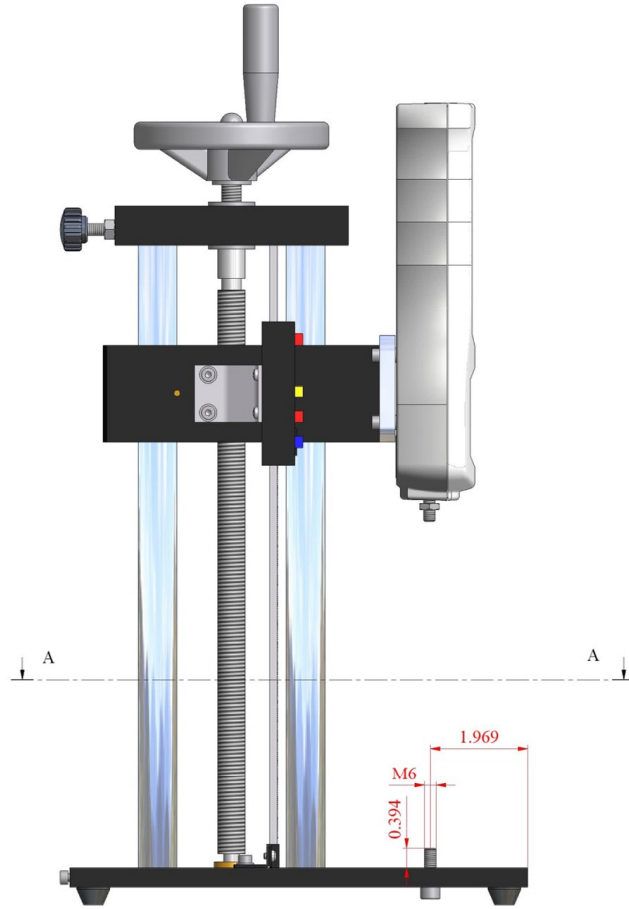


(imperial)

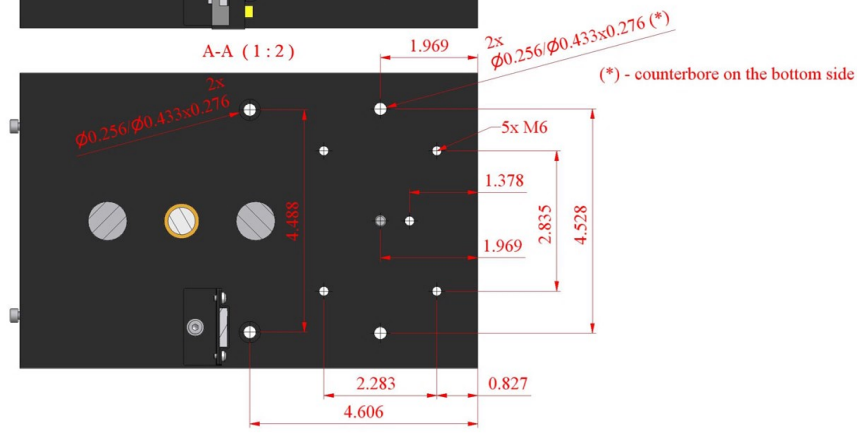
Test Stand

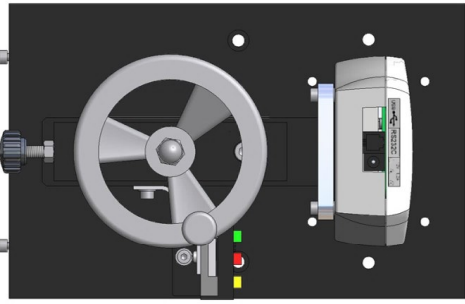
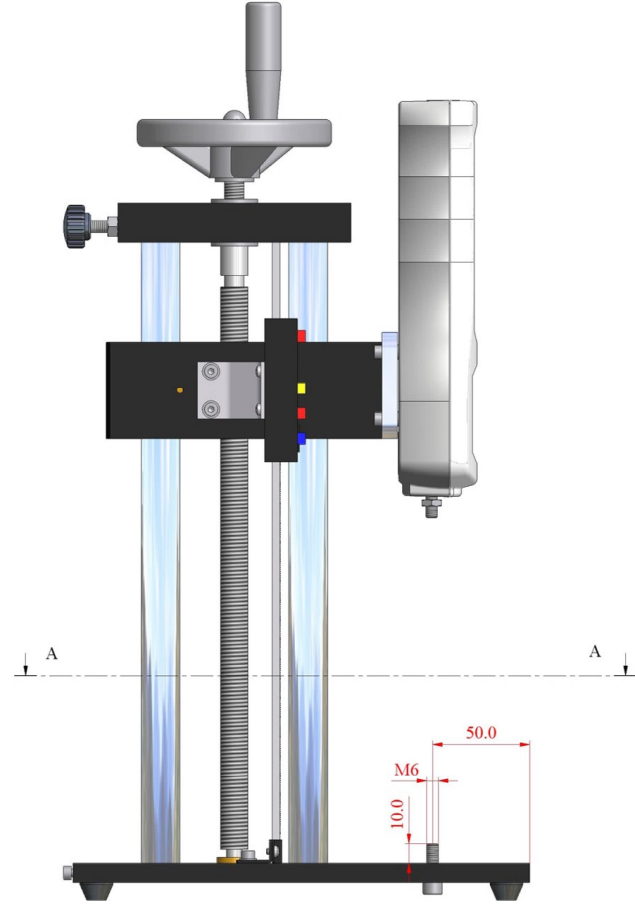


(metric)

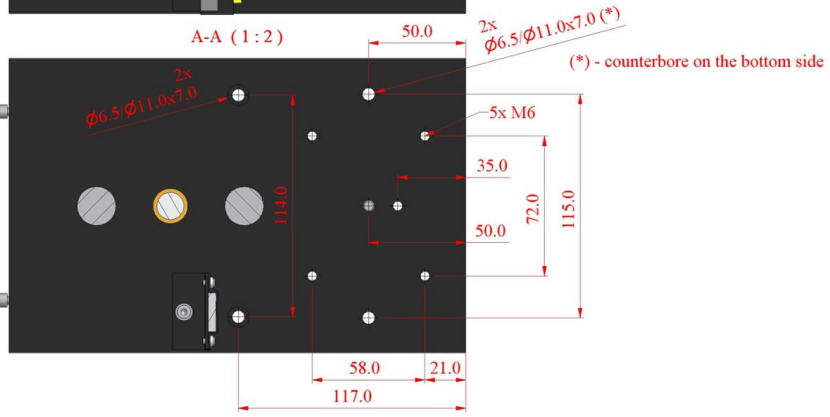


A-A (1:2)





A-A (1:2)



2x $\phi 6.5 \times 11.0 \times 7.0$ (*)

(*) - counterbore on the bottom side