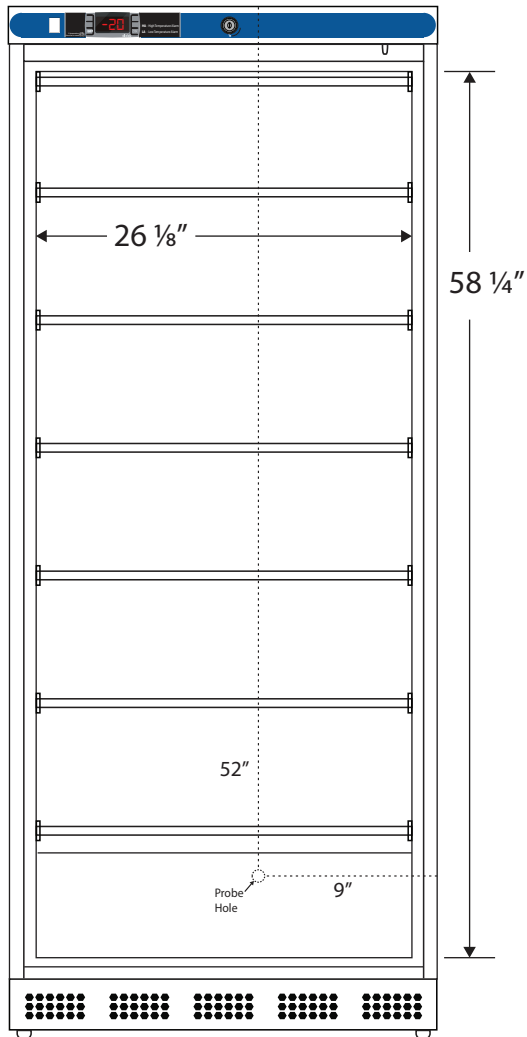
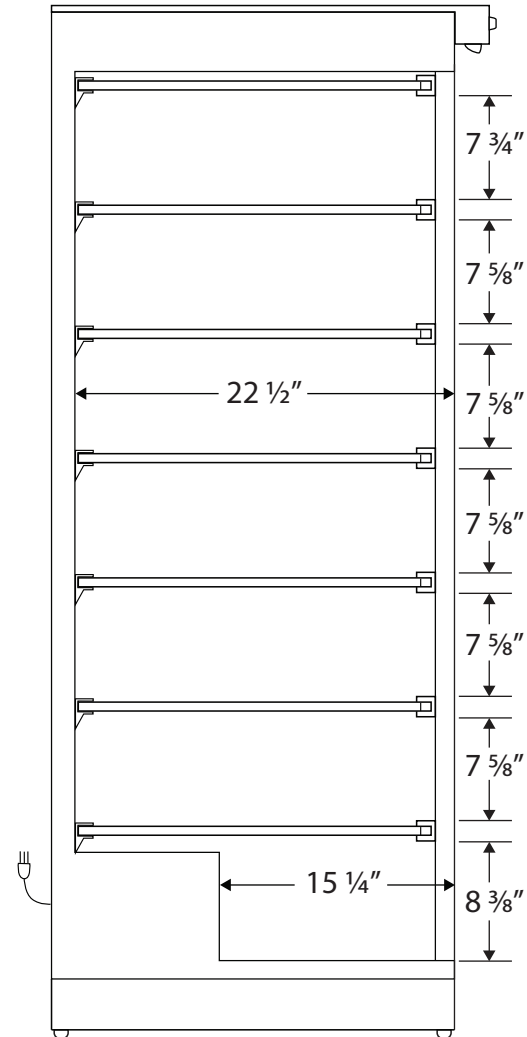


## Interior

Front View



Side View


 115VAC/60Hz/1PH  
 NEMA-5-15P

**Cat# 76580-172/VWR-HC-MFP-17**

Cu.Ft.	Defrost	Door	Int Door	Shelves	W"	D"	H"	Refrigerant	H.P.	Amps	Weight
17	Manual	1 Solid	0	6 Fixed	26 1/8	22 1/2	58 1/4	R290	1/2	6	190 lbs.