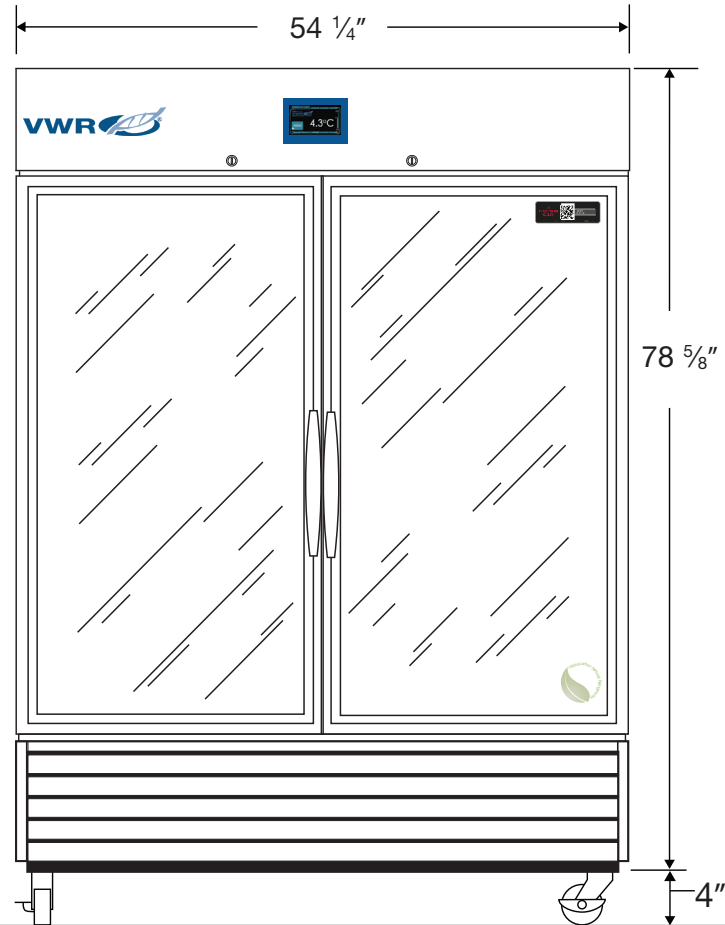


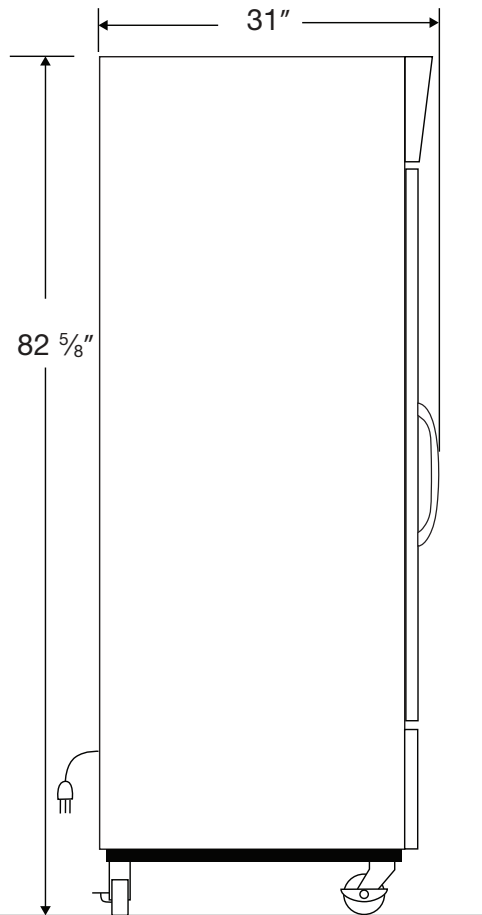
Exterior



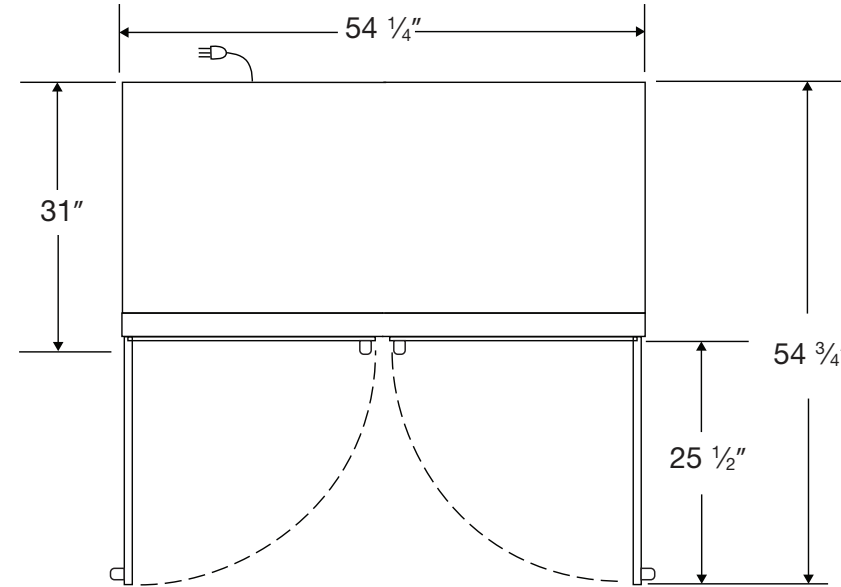
Front View



Side View



Top View


Cat# 76580-162/VWR-HC-49-TS

 115VAC/60Hz/1PH
NEMA-5-15P

Cu.Ft.	Defrost	Door	Int Door	Shelves	W"	D"	H"	Refrigerant	H.P.	Amps	Weight
49	Cycle	2 Glass	0	8 Adj.	54 1/4	31	82 5/8	R290	1/2	8.5	445 lbs.