

VWR[®] Laboratory Glassware Washers

01. SOFT TOUCH
DIGITAL CONTROLS

02. IMPROVED DRYING

03. QUIETER RUN



Loading and operation flexibility to accommodate a wide range of requirements

- 6 cycle selections let you select optimal temperature and time, and include a customizable timed option
 - **Rinse Only** - Short tap water rinse cycle

Wash cycles: All wash cycles have pre-wash, wash, pre-rinse, and rinse cycles to prevent contamination

- **Normal** - Lower temperature (55°C) longer cycle with 3 final rinse cycles
- **Daily wash** - Standard temperature (65°C) with 2 final rinse cycles
- **Heavy wash** - Higher temperature (70°C) longer cycle with multiple pre-wash and final rinse cycles
- **Heavy wash time saver** - Lower temperature (55°C) version of heavy wash with a shorter overall cycle time
- **Timed programs** - Standard temperature (65°C) in programmable 15 minute increments up to 2.5 hours
- Enhanced dual fan drying system draws in dry air and exhausts moist air out
- All models come with top and bottom stainless steel open racks to accommodate a variety of glassware
- Spindle-ready models can accommodate direct injection spindle racks (sold separately) for narrow-neck glassware
- Wide variety of universal baskets and accessories available



Engineered for durable, reliable, and energy efficient operation

- 304 stainless steel chamber and exterior casing* ensures long life and corrosion protection plus maintains superior cosmetic appearance
- Three separate filters protect pumps from debris and are conveniently located for easy access
- Designed and insulated for optimal quiet operation
- Efficient, minimal water consumption with spotless results
- Multiple cycle selections and microprocessor control systems ensure that each load is processed with minimum energy consumption
- Optional Deionized (DI) Rinse models use separate pump for facility-provided DI water for final rinse; DI Booster Pump is also available
- Delayed start feature allows washer to operate unattended during off-peak hours to reduce energy costs

*Undercounter models are fully insulated for noise reduction but do not include side, top, or rear casing.

See page 6 for additional specification information.



VWR® UNDERCOUNTER & FREESTANDING/ MOBILE GLASSWARE WASHERS

Designed for ease of operation and flexible loading, undercounter and freestanding/mobile glassware washers feature upper and lower open racks and can accommodate a wide range of requirements. New improved units feature a soft touch controller, improved drying, a quieter run, and are compatible with existing racks and accessories. Engineered for reliable and energy efficient operation, these durable washers include Standard, DI Rinse, and DI Rinse/Spindle Rack Ready models. All DI models also have the option of a DI Booster Pump, recommended when the incoming DI water source has a pressure of less than 18psi.

- All models feature noise buffering insulation; Freestanding/Mobile Washers have a full 304 stainless steel casing for style and durability
- Undercounter units have adjustable height leveling feet and Freestanding units have locking wheels/casters
- DI models easily install with fixed or moveable laboratory DI water systems and provide enhanced cleaning capability

VWR® Undercounter Glassware Washers

Description	Cat. No.
Undercounter Glassware Washer with Tap Water Rinse	10002-850
Undercounter Washer with DI Rinse	10002-854
Undercounter Washer with DI Rinse, Spindle Rack Ready	10002-858

VWR® Freestanding & Mobile Glassware Washers

Description	Cat. No.
Freestanding and Mobile Washer with DI Rinse	10002-856
Freestanding and Mobile Washer with DI Rinse, Spindle Rack Ready	10002-860

VWR® GLASSWARE WASHERS WITH OPTIONAL DEIONIZED (DI) WATER BOOSTER PUMP

An integrated DI water pump model is recommended for systems with an incoming Deionized (DI) water source with a pressure of less than 18psi.

Description	Cat. No.
Freestanding and Mobile Washer with DI Rinse and DI Pump	10002-872
Freestanding and Mobile Washer with DI Rinse and DI Pump, Spindle Rack Ready	10002-876
Undercounter Washer with DI Rinse and DI Pump	10002-870
Undercounter Washer with DI Rinse and DI Pump, Spindle Rack Ready	10002-874



VWR® VERTICAL SPACESAVER™ GLASSWARE WASHERS

These washers provide maximum capacity and flexibility in a small footprint. Up to four loading levels in two independently controlled chambers - each chamber has two open racks and can be customized to meet specific requirements. This ultimate space saver provides up to 33% smaller footprint than washers of similar capacity. Three Vertical SpaceSaver washer models are supplied with locking wheels, and fully cased in 304 stainless steel for attractive and flexible durability.

Description	Cat. No.
Vertical Stacked Washer with Top DI Rinse and Bottom DI Rinse/Spindle Rack Ready*	10002-862
Vertical Stacked Washer with Top and Bottom DI Rinse and Spindle Rack Ready	10002-864
Vertical Stacked Washer, Standard Racks for use with Tap Water	10002-866

*If your incoming DI water pressure is less than 18 psi, a DI booster pump - Cat. No. 82021-092 (sold separately) must be utilized.



Dimensional data (nominal)

	Undercounter	Freestanding	Vertical SpaceSaver™
Width	24 in. (610 mm)	24 in. (610 mm)	26.38 in. (670 mm)
Depth	22.88 in. (580 mm)	24.25 in. (616 mm)	23.31 in. (592 mm)
Height	34.44 to 36.38 in. (875 to 934 mm)	38.5 in. (978 mm)	78.5 in. (1994 mm)
Weight	116.8 lbs (53 kg)	136.5 lbs (62kg)	370 lbs (168 kg)
Volume	6 ft. ³ (170 L)	6 ft. ³ (170 L)	12 ft. ³ (340 L)

Water consumption (per chamber)

Minimum (excluding Rinse Only cycle)		Maximum	
Tap	2.4 gal. (9 L)	Tap	4 gal. (15 L)
DI	0.8 gal. (3 L)	DI	1.6 gal. (6 L)

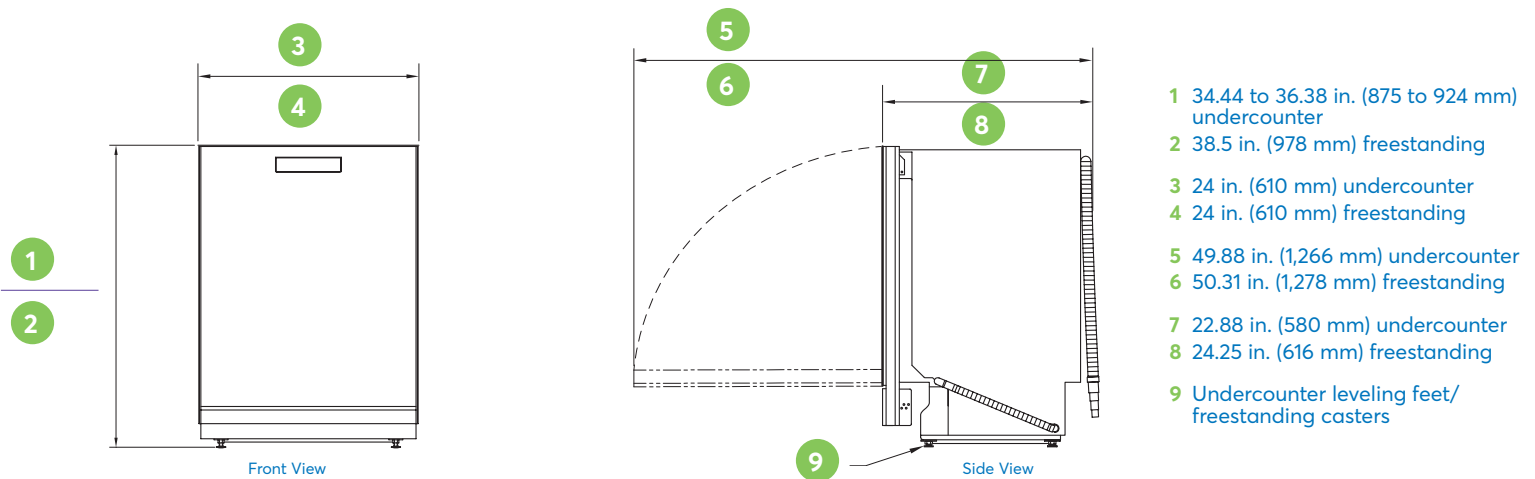
Material of construction

Chamber Material	304 Stainless Steel
Exterior Material	304 Stainless Steel
Certifications	UL 61010-1 & CSA 22.2 61010-1
Electrical	115V, 60Hz, 15A

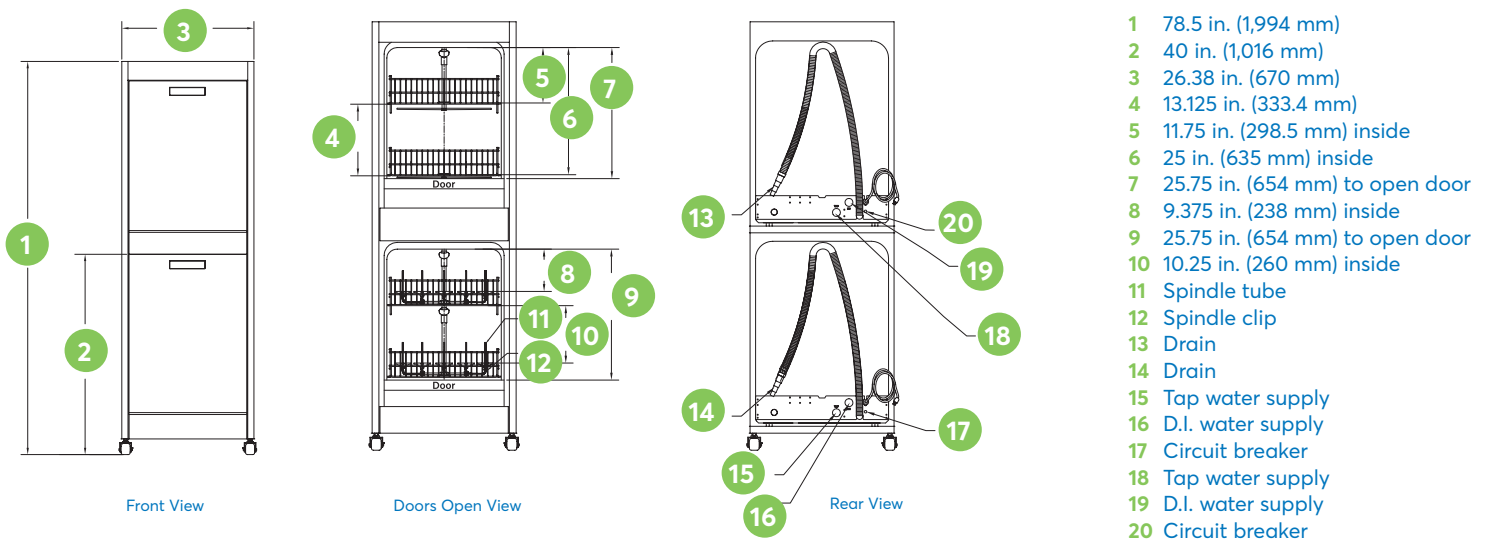
Note: VWR recommends at least 26.5 inches of clearance in front of the unit for door extension and at least two (2) inches on each side of the door.

Limited warranty: VWR washers and accessories are covered for a period of 24 months from date of shipment. For full details contact your VWR sales representative.

Undercounter & freestanding/mobile washer specifications

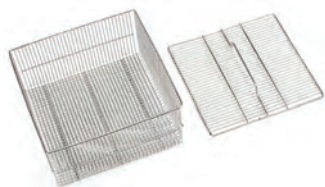


Vertical SpaceSaver glassware washer specifications



Glassware washer accessories

Baskets, insert racks, and spindle racks maximize space, improve efficiency, and protect specialty glassware. All accessories are stainless steel construction for long life and durability.



Small basket and cover
10002-904



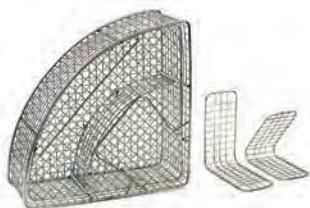
Petri dish insert
10002-910



Insert for small graduated cylinders
10002-912



Arrow clip insert
10002-914



Test tube baskets and lids
10002-916



Open basket with handles and retainer top
10002-924



Bottle insert
10002-928



Spindle rack
10002-948

Description	Details	Fit/Dimensions	Cat. No.
Basket & Cover	General use - e.g. to hold miscellaneous glassware	7.5"L x 7.5"W x 4"D	10002-904
Erlenmeyer Flask Insert	For 300mL - 1500mL Erlenmeyer flasks; Holds (5) 1,500mL flasks	Top Rack Use	10002-906
BOD Bottle Insert	Up to 18 BOD bottles	1/2 of Bottom Rack	10002-908
Petri Dish Basket Insert	Petri dishes	1/2 of Bottom Rack	10002-910
Graduated Cylinder Basket Insert	Holds up to 32 small graduated cylinders	1/2 of Bottom Rack	10002-912
Arrow Clip Rack Insert	14 small and 14 large arrow clips for holding miscellaneous glassware	1/2 of Bottom Rack	10002-914
Test Tube Basket Insert w/Lid, 75mm tubes	Holds up to 150 - 75mm length test tubes	1/4 of Bottom Rack	10002-916
Test Tube Basket Insert w/Lid, 105mm tubes	Holds up to 150 - 105mm length test tubes	1/4 of Bottom Rack	10002-918
Test Tube Basket Insert w/Lid, 165mm tubes	Holds up to 150 - 165mm length test tubes	1/4 of Bottom Rack	10002-920
Test Tube Basket Insert w/Lid, 200mm tubes	Holds up to 150 - 200mm length test tubes	1/4 of Bottom Rack	10002-922
Open Basket Insert with Handles	General use - e.g. to hold miscellaneous glassware	1/4 of Bottom Rack	10002-924
Watch Glass Insert	Holds up to 40 pieces, less than 125mm in diameter	1/2 of Bottom Rack	10002-926
Bottle Basket Insert, 1L	Holds up to 16 - 1L bottles	Full Rack	10002-928
Bottle Basket Insert, 2L	Holds up to 9 - 2L bottles	Full Rack	10002-930
Bottle Basket Insert, 50mL	Holds up to 69 - 50mL bottles	Full Rack	10002-932
Bottle Basket Insert, 100mL	Holds up to 40 - 100mL bottles	Full Rack	10002-934
Bottle Basket Insert, 250mL	Holds up to 24 - 250mL bottles	Full Rack	10002-936
Bottle Basket Insert, 500mL	Holds up to 23 - 500mL bottles	Full Rack	10002-938
Bottle Basket Mesh Insert, full size	Prevents small items from falling through basket	Full Size Baskets	10002-940
Bottle Basket Mesh Insert, half size	Prevents small items from falling through basket	1/2 Size Baskets	10002-942
Basket Cover with Handle	Fits Cat. Nos. 10002-908, 10002-910, 10002-912 & 10002-924	1/2 Size Baskets	10002-944
1/2 Spindle Top Rack Insert	1/2 spindle (13) top rack insert, for use with spindle rack ready washers only	Replaces Standard Upper Rack	10002-946
Bottom Spindle Rack	Lower full (22 spindles) for use with spindle rack ready washers only	Requires 20" clearance; Must be used without the Standard Upper Open Rack	10002-948
2 pc. Spindle Rack Combo Set	Full upper and full lower racks (44 spindles total); Use lower rack for taller glassware; use with spindle rack ready washers only	Replaces Standard Upper and Lower Open Racks	10002-950
Booster Pump	For use with low pressure (below 18psi) DI water supply	-	82021-092

Setting science in motion to create a better world

At Avantor®, a new era has begun. From breakthrough discovery to agile delivery of advanced products and services across the globe, Avantor manufactures and distributes high-quality products, services and solutions to professionals in the life sciences and advanced technologies industries.



VWR, part of Avantor provides an integrated, seamless purchasing experience optimized for your success.

Learn how the new Avantor is moving forward at www.settingscienceinmotion.com

©2018 Avantor, Inc. All rights reserved.



800 932 5000 | VWR.COM

Prices and product details are current when published and subject to change without notice. | Certain products may be limited by federal, state, provincial, or local regulations. | VWR, part of Avantor, makes no claims or warranties concerning sustainable/green products. Any claims concerning sustainable/green products are the sole claims of the manufacturer and not those of VWR International, LLC and/or Avantor, Inc. or affiliates. All prices are in US dollars unless otherwise noted. Offers valid in US and Canada, void where prohibited by law or company policy, while supplies last. | Trademarks are owned by Avantor, Inc. or its affiliates, unless otherwise noted. | Visit vwr.com to view our privacy policy, trademark owners, and additional disclaimers. © 2019 Avantor, Inc. All rights reserved.