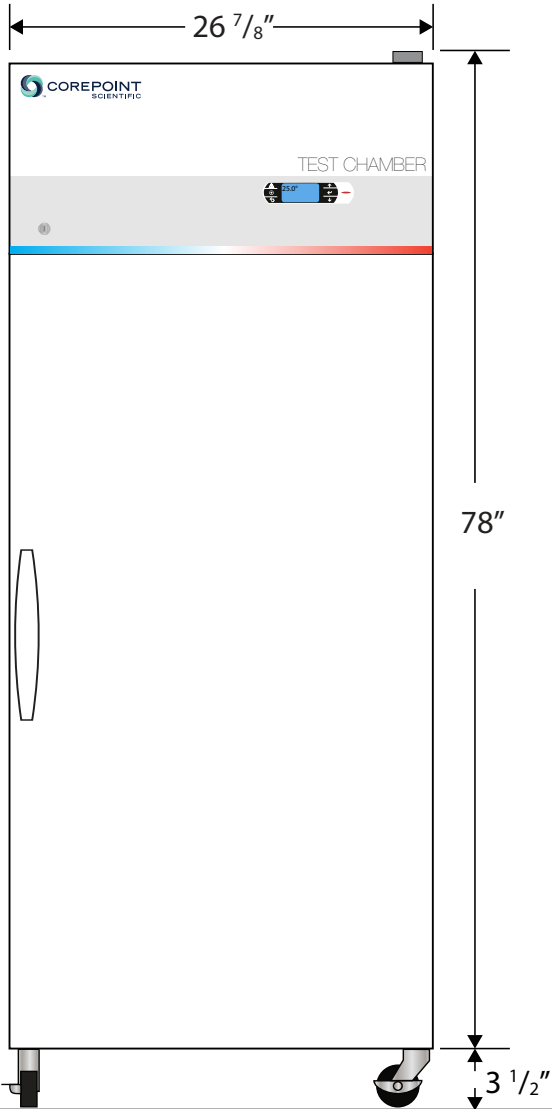
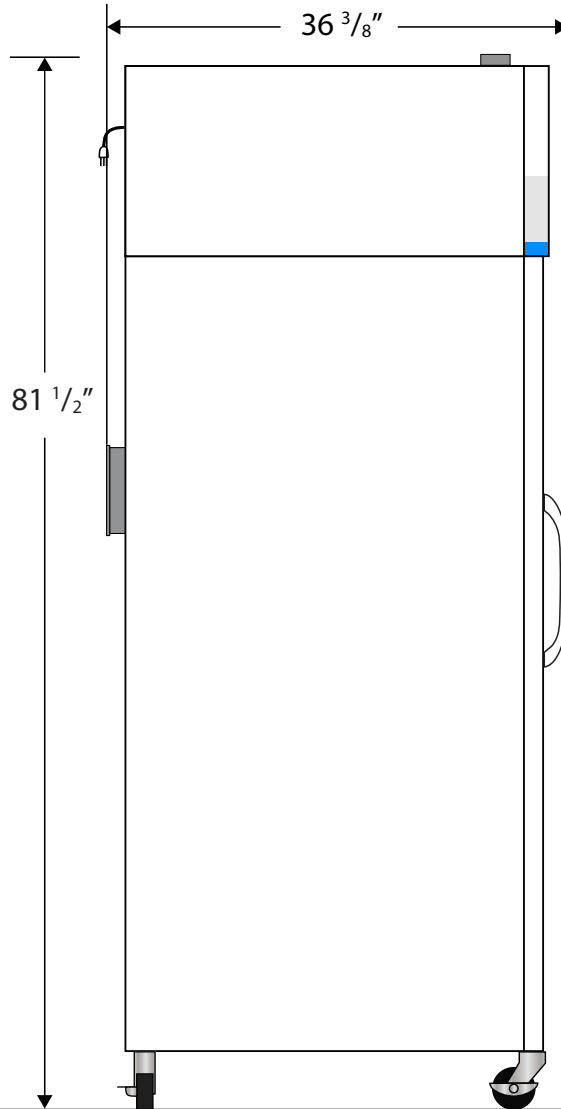


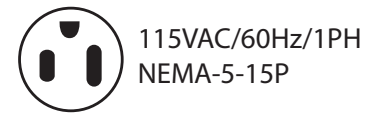
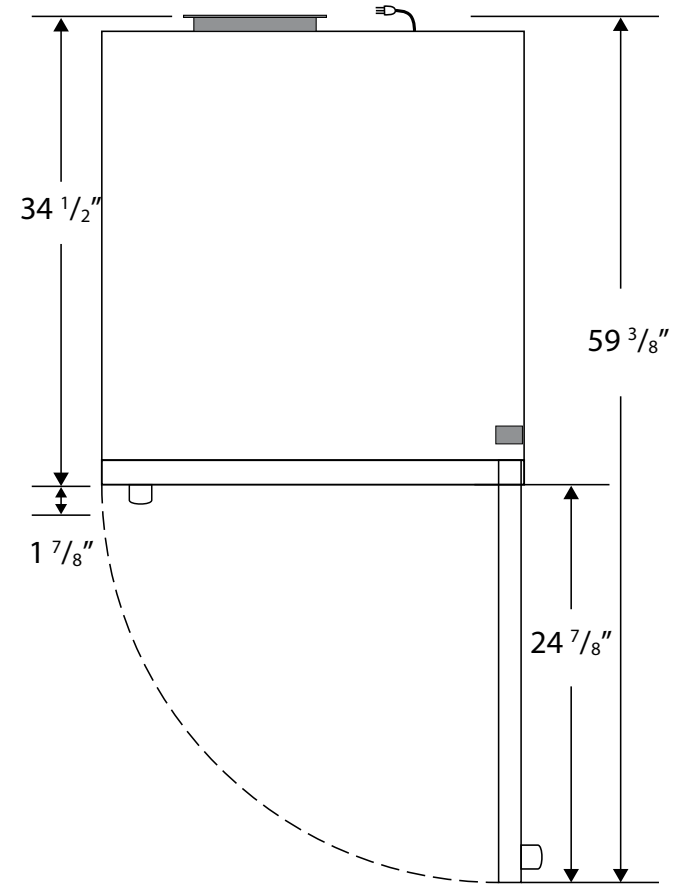
Front View



Side View



Top View



Cu. Ft	Door	Int Door	Shelves	W"	D"	H"	Refrigerant	H.P.	Amps	Weight
23	1 Solid	0	3 Adj. Sliding	26 <sup>7</sup> / <sub>8</sub>	36 <sup>3</sup> / <sub>8</sub>	81 <sup>1</sup> / <sub>2</sub>	R600a	<sup>1</sup> / <sub>3</sub>	12	310 lbs.