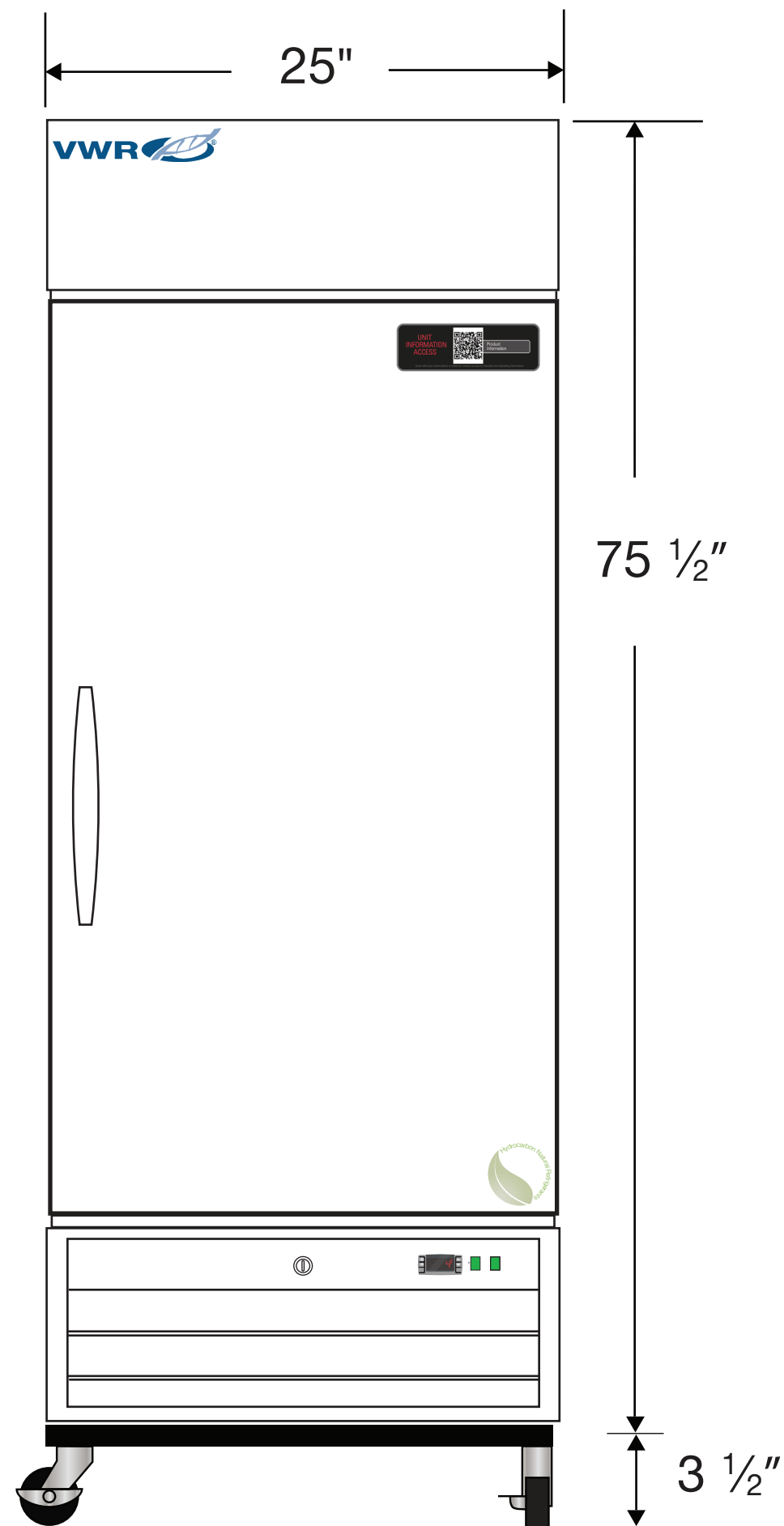


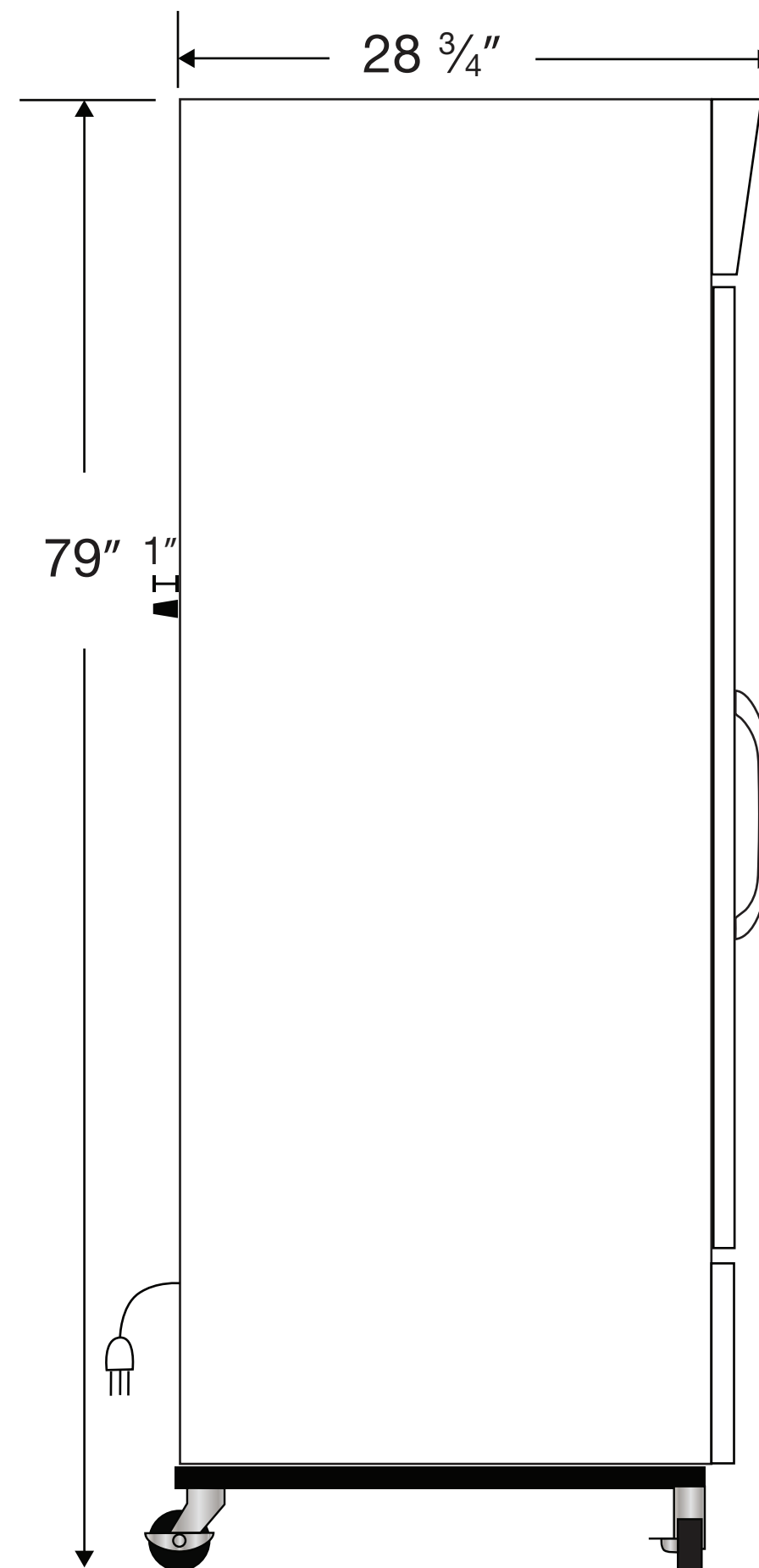
Exterior



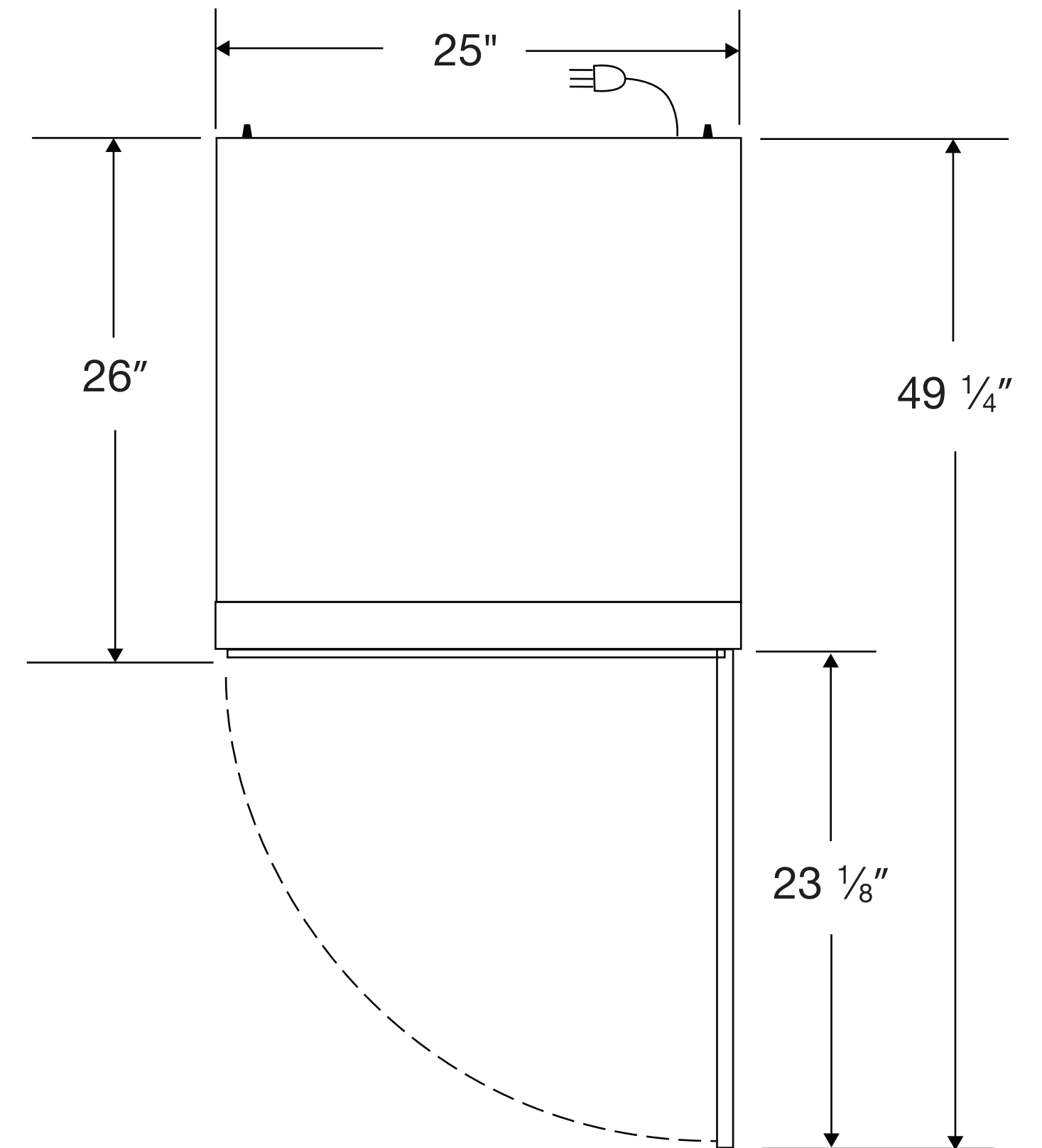
Front View



Side View



Top View


Cat# 76579-156/VWR-HC-SLS-16

 115VAC/60Hz/1PH
 NEMA-5-15P

Cu.Ft.	Defrost	Door	Int Door	Shelves	W"	D"	H"	Refrigerant	H.P.	Amps	Weight
16	Cycle	1 Solid	0	3 Adj.	25	29 3/4	79	R290	1/5	3	237 lbs.