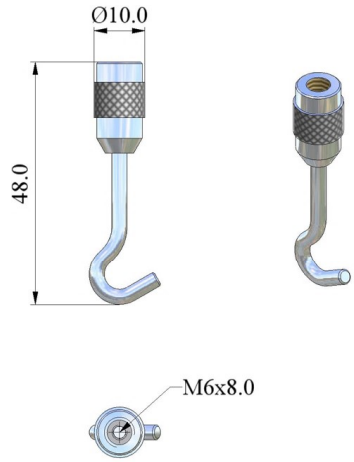
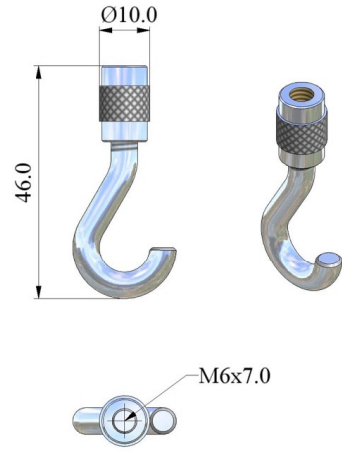


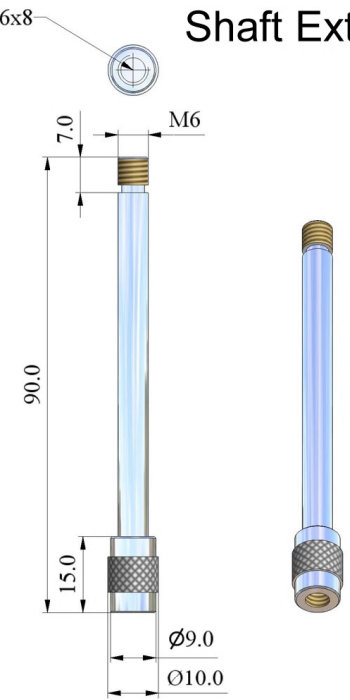
### Hook (FB/C5 to FB/C200)



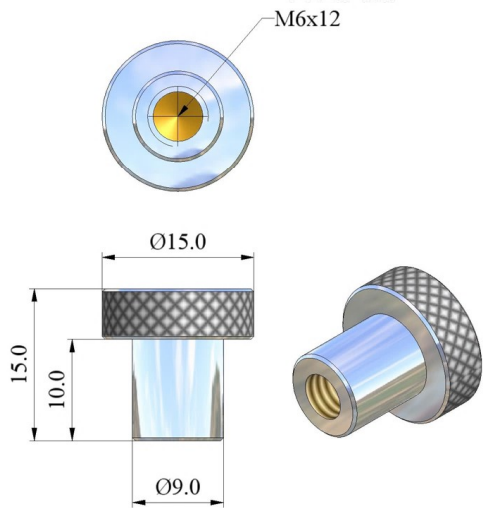
### Hook (FB/C500)



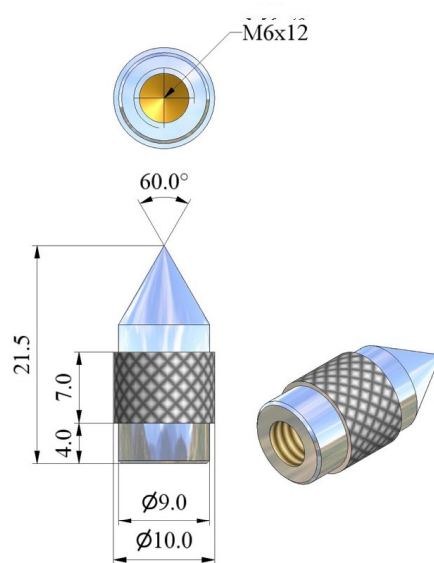
### Shaft Extension



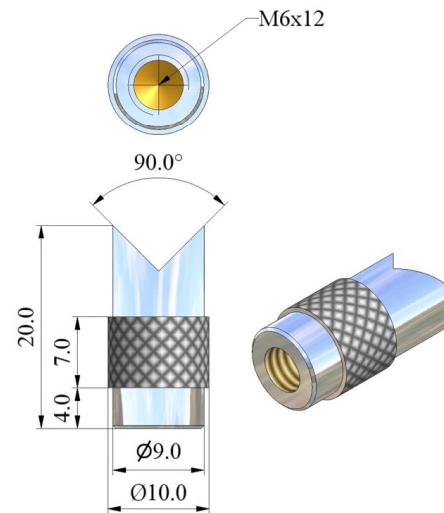
### Flathead



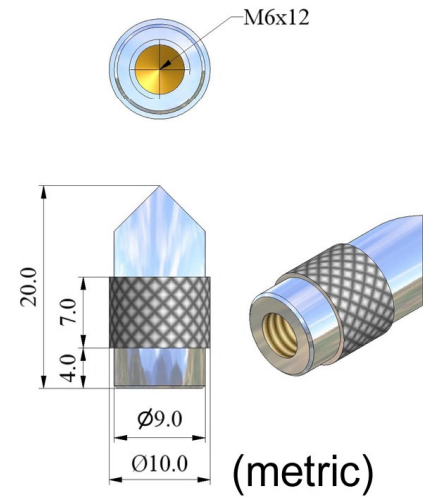
### Cone Point



### V-Groove

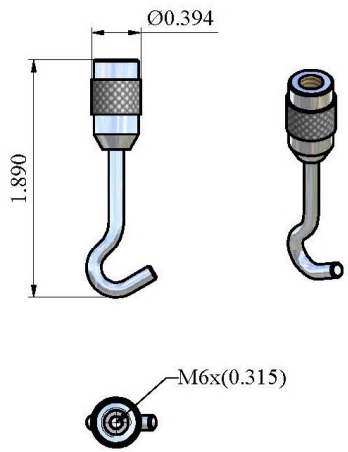


### Chisel Point

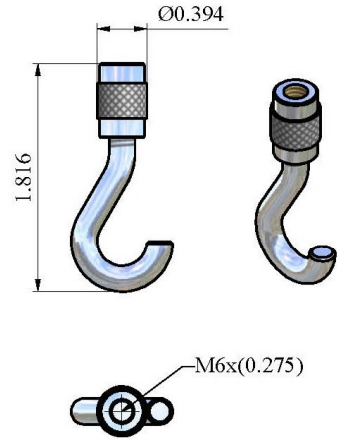


(metric)

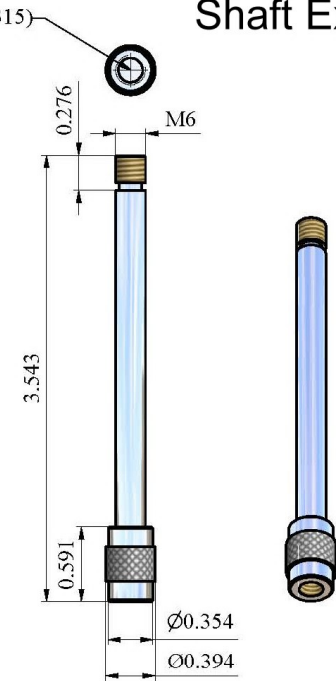
### Hook (FB/C5 to FB/C200)



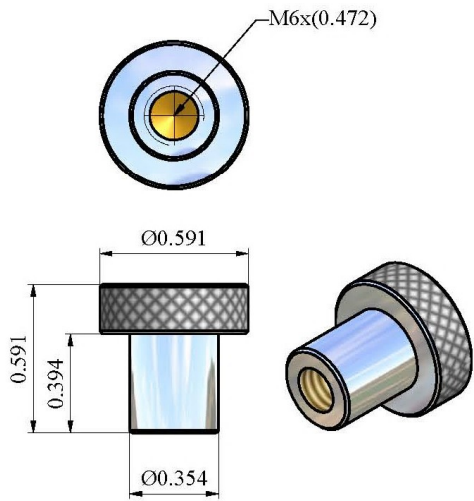
### Hook (FB/C500)



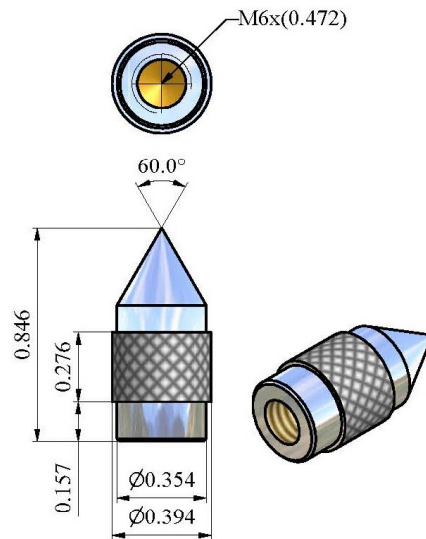
### Shaft Extension



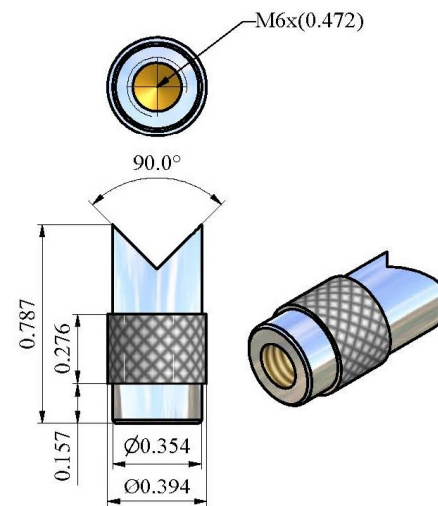
### Flathead



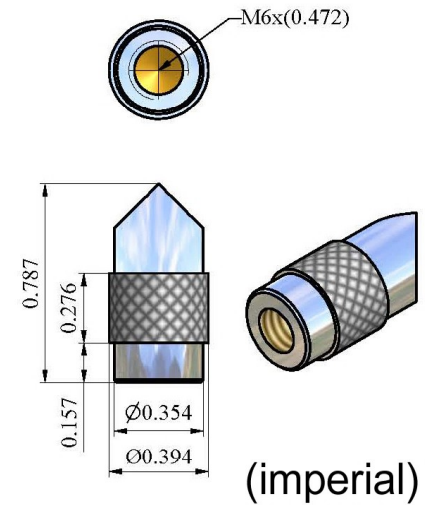
### Cone Point



### V-Groove



### Chisel Point



(imperial)