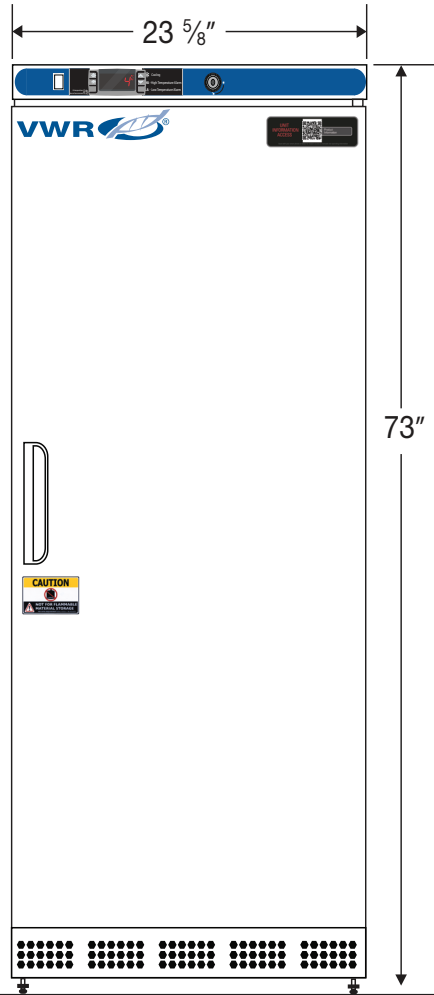


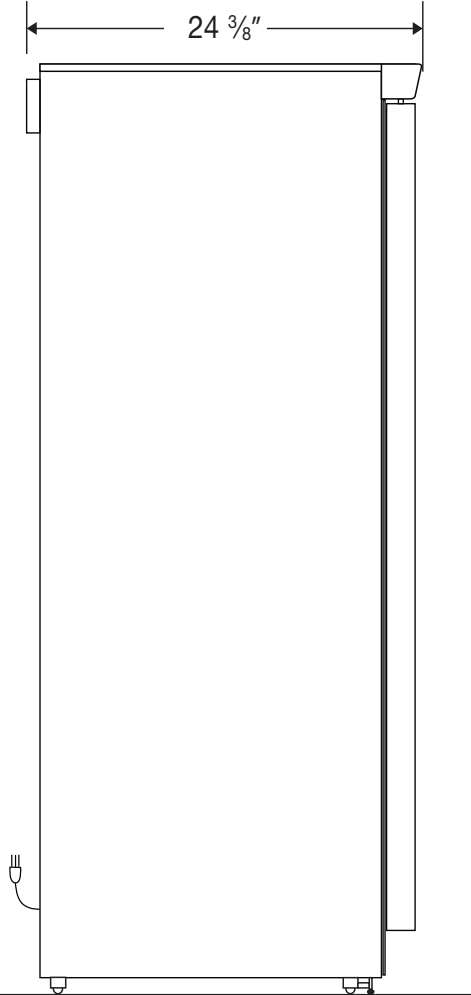
Exterior



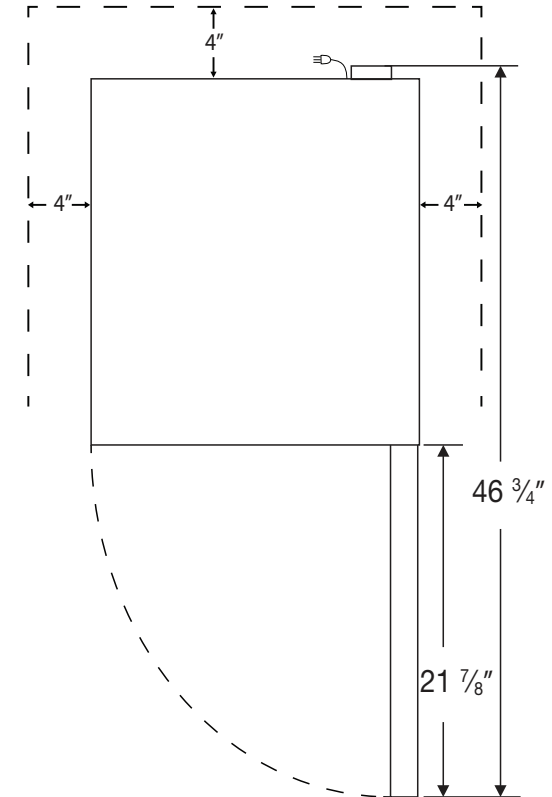
Front View



Side View



Top View


 115VAC/60Hz/1PH
 NEMA-5-15P

NOTE: Ventilation Requirements – Minimum 4" clearance on sides and back

Cat# 76580-186/VWR-HC-RFP-14

Cu.Ft.	Defrost	Door	Int Door	Shelves	W"	D"	H"	Refrigerant	H.P.	Amps	Weight
14	Cycle	1 Solid	0	5 Adj.	23 5/8	24 3/8	73	R600a	1/5	3	170 lbs.