



VWR® 225mL Centrifuge Bottle

Description: 225mL, Conical Bottom, Plug Seal Cap, Sterile

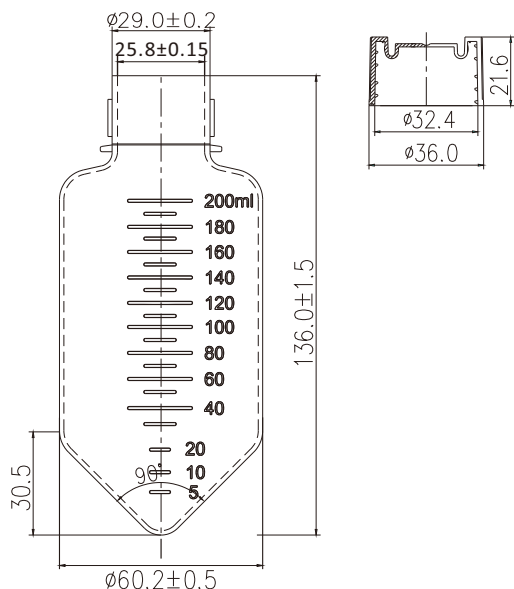
Purpose: Centrifuge bottles are ideal for applications requiring large volume centrifugation

Materials:

Bottle: PP(Polypropylene), Compliance with USP Class VI

Cap: HDPE(High Density Polyethylene), Compliance with USP Class VI

Dimensions (Unit: mm)



Features

- Meet the requirements of BSE/TSE
- Latex Statement: this product is latex free
- Engraved graduation
- Max RCF up to 7,500xg
- D/RNaseNase free and non-pyrogenic
- Sterilized by irradiation SAL 10⁻⁶ (ISO11137)
- Shelf Life: 3 years after month of production
- Manufactured in a Class 100,000 clean room environment
- Manufactured under ISO13485 and ISO9001 quality management system
- The recommended working volume is 80% of the bottle capacity
- Can be used with Falcon support cushions (Catalog No. 352090)



STERILE R

VWR® 225mL Centrifuge Bottle

VWR EU Cat. No.	VWR NA Cat. No.	Capacity	Maximum RCF	Bottom Shape	Cap Shape	Cap Color	Sterilization	Packaging Configuration
525-1300	76234-748	225mL	7,500xg	Conical	Plug seal cap	White	Yes	6/Bag, 48/CS
525-1438		225mL	7,500xg	Conical	Plug seal cap	White	Yes	Individually wrapped, 24/CS



VWR[®] 250mL Centrifuge Bottle

Description: 250mL, Conical Bottom, Plug Seal Cap, Sterile

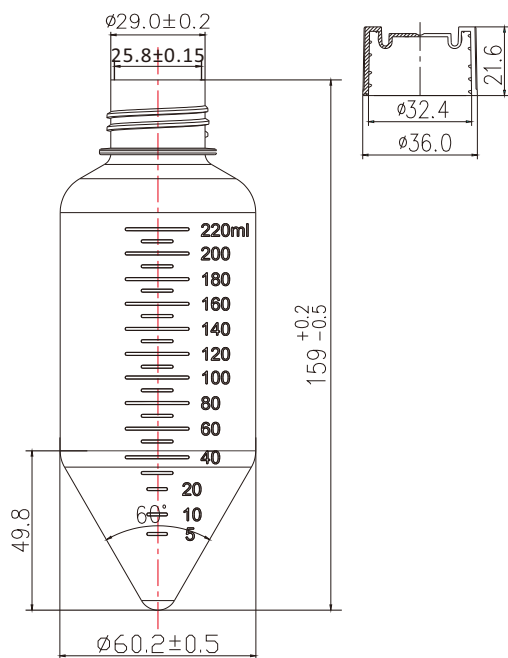
Purpose: Centrifuge bottles are ideal for applications requiring large volume centrifugation

Materials:

Bottle: PP(Polypropylene), Compliance with USP Class VI

Cap: HDPE(High Density Polyethylene), Compliance with USP Class VI

Dimensions (Unit: mm)



Features

- Meet the requirements of BSE/TSE
- Latex Statement: this product is latex free
- Engraved graduation
- Max RCF up to 7,500xg
- D/RNaseNase free and non-pyrogenic
- Sterilized by irradiation SAL 10⁻⁶ (ISO11137)
- Shelf Life: 3 years after month of production
- Manufactured in a Class 100,000 clean room environment
- Manufactured under ISO13485 and ISO9001 quality management system
- The recommended working volume is 80% of the bottle capacity
- Can be used with Corning support cushions (Catalog No. 430236)

②

STERILE | R

VWR[®] 250mL Centrifuge Bottle

VWR EU Cat. No.	VWR NA Cat. No.	Capacity	Maximum RCF	Bottom Shape	Cap Shape	Cap Color	Sterilization	Packaging Configuration
525-1597	76234-744	250mL	7,500xg	Conical	Plug seal cap	White	Yes	6/Bag, 48/CS



VWR® 500mL Centrifuge Bottle

Description: 500mL, Conical Bottom, Flat Cap, Sterile

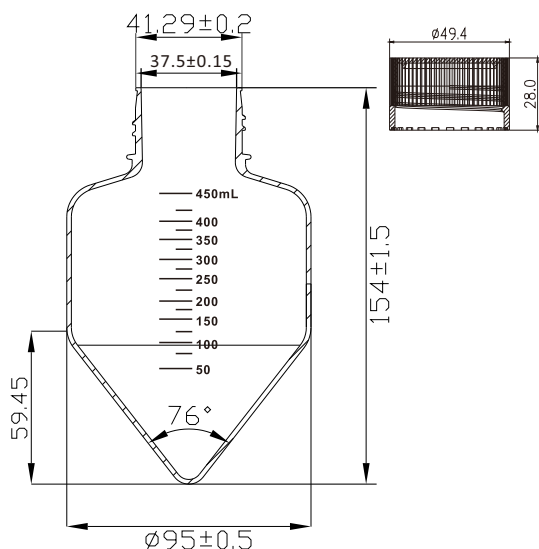
Purpose: Centrifuge bottles are ideal for applications requiring large volume centrifugation

Materials:

Bottle: PP(Polypropylene), Compliance with USP Class VI

Cap: HDPE(High Density Polyethylene), Compliance with USP Class VI

Dimensions (Unit: mm)



Features

- Meet the requirements of BSE/TSE
- Latex Statement: this product is latex free
- Engraved graduation
- Max RCF up to 6,000xg
- D/RNaseNase free and non-pyrogenic
- Sterilized by irradiation SAL 10⁻⁶ (ISO11137)
- Shelf Life: 3 years after month of production
- Manufactured in a Class 100,000 clean room environment
- Manufactured under ISO13485 and ISO9001 quality management system
- The recommended working volume is 80% of the bottle capacity
- Can be used with Corning support cushions (Catalog No. 431124)

Compatibility comparison of 500mL Conical Centrifuge Bottle:

Brand	Centrifuge	Rotor	525-1598 76234-746 77391-960	77391-962
Thermo Scientific	Sorvall LYNX 6000 Sorvall LYNX 4000	BIOFlex HC	N/A	✓
	Sorvall ST 40R	TX-750	✓	✓
BECKMAN COULTER	Avanti J-26S XPI	JLA 9.1000	✓	✓
	4x750ml	JS-4.3	N/A	✓
		JA-10, JLA-10.500	✓	✓
cence	TD5A		✓	✓



VWR® 500mL Centrifuge Bottle

VWR EU Cat. No.	VWR NA Cat. No.	Capacity	Maximum RCF	Bottom Shape	Cap Shape	Cap Color	Sterilization	Packaging Configuration
525-1598	76234-746	500mL	6,000xg	Conical	Flat cap	White	Yes	6/Bag, 36/CS
	77391-960	500mL	6,000xg	Conical	Flat cap	White	Yes	6/Double Bags, 36/CS



VWR® 500mL Centrifuge Bottle

Description: 500mL, Conical Bottom, Short Style, Flat Cap, Sterile

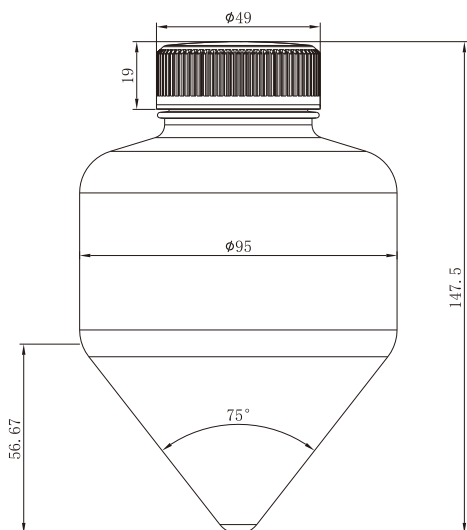
Purpose: Centrifuge bottles are ideal for applications requiring large volume centrifugation

Materials:

Bottle: PP(Polypropylene), Compliance with USP Class VI

Cap: HDPE(High Density Polyethylene), Compliance with USP Class VI

Dimensions (Unit: mm)



Features

- Meet the requirements of BSE/TSE
- Latex Statement: this product is latex free
- Engraved graduation
- Max RCF up to 6,000xg
- D/RNaseNase free and non-pyrogenic
- Sterilized by irradiation SAL 10⁻⁶ (ISO11137)
- Shelf Life: 3 years after month of production
- Manufactured in a Class 100,000 clean room environment
- Manufactured under ISO13485 and ISO9001 quality management system
- The recommended working volume is 80% of the bottle capacity
- Can be used with Corning support cushions (Catalog No. 431124)

Compatibility comparison of 500mL Conical Centrifuge Bottle:

Brand	Centrifuge	Rotor	525-1598 76234-746 77391-960	77391-962
Thermo Scientific	Sorvall LYNX 6000 Sorvall LYNX 4000	BIOFlex HC	N/A	✓
	Sorvall ST 40R	TX-750	✓	✓
BECKMAN COULTER	Avanti J-26S XPI	JLA 9.1000	✓	✓
	4x750ml	JS-4.3	N/A	✓
		JA-10, JLA-10.500	✓	✓
cence	TD5A		✓	✓



VWR® 500mL Centrifuge Bottle

VWR EU Cat. No.	VWR NA Cat. No.	Capacity	Maximum RCF	Bottom Shape	Cap Shape	Cap Color	Sterilization	Packaging Configuration
	77391-962	500mL	6,000xg	Conical	Flat cap	White	Yes	6/Double Bags, 36/CS