

VWR part of Avantor
100 Matsonford Road
Building 1, Suite 200
Radnor PA 19087
t: 1.800.932.5000
www.vwr.com

19L - 20L CLOSE TOP METAL CAN WITH HANDLE

Material: Steel

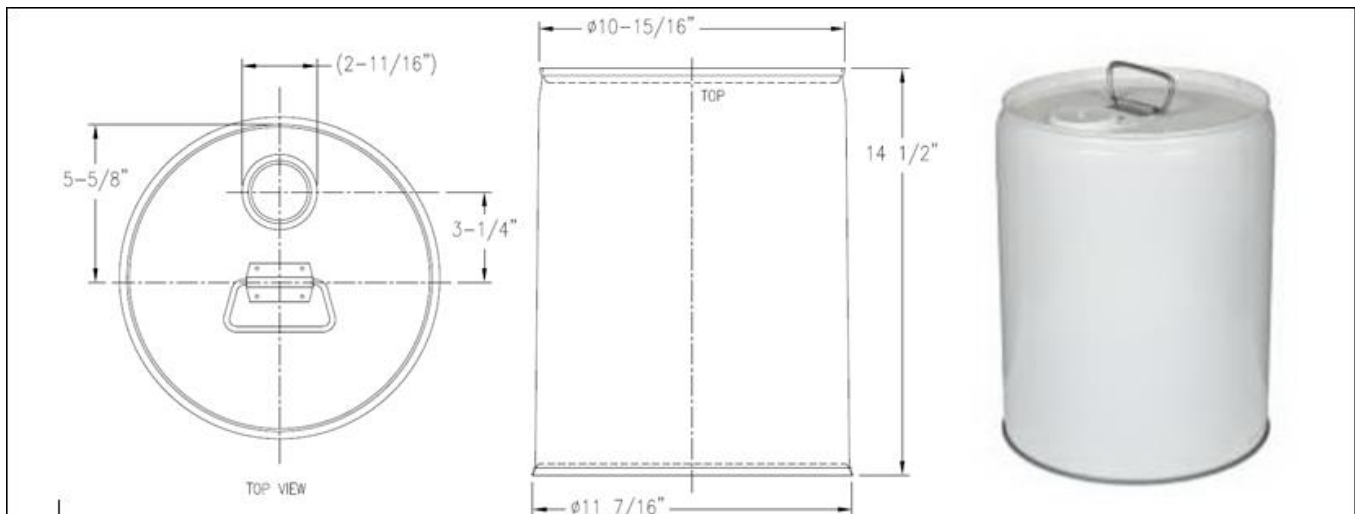
Certification: 1A1/X1.5/300
Alternate markings:
UN1A1/X1.5/250

Closure: Rieke Flexspout with $\frac{3}{4}$ " opening and 38mm threaded spout screw cap.



Dimensions: Diameter: Base: 11 $\frac{7}{16}$ " [290.51 mm]
Top: 10 $\frac{15}{16}$ " [277.81 mm]
Height: 14 $\frac{1}{2}$ " [368.30 mm]

Images:



For more information, please refer to the specific product page on vwr.com or contact:

VWR Technical Product Support
TechnicalProductSupportNA@vwr.com
Tel: 888.897.5463