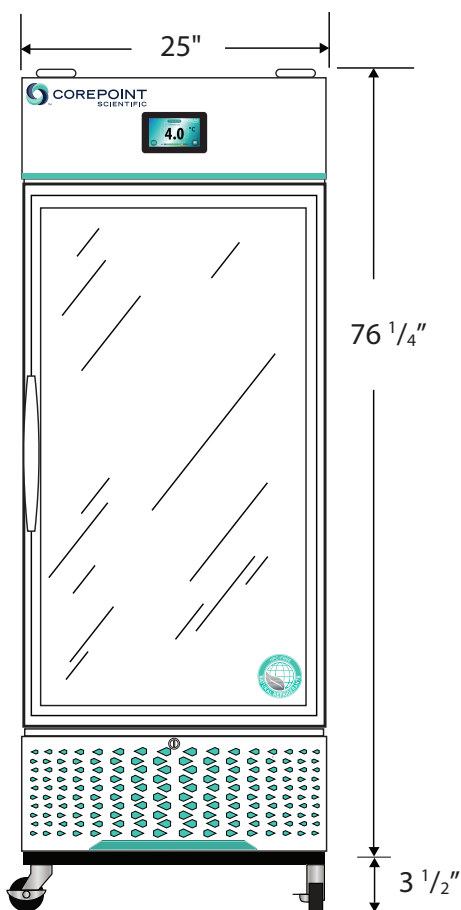
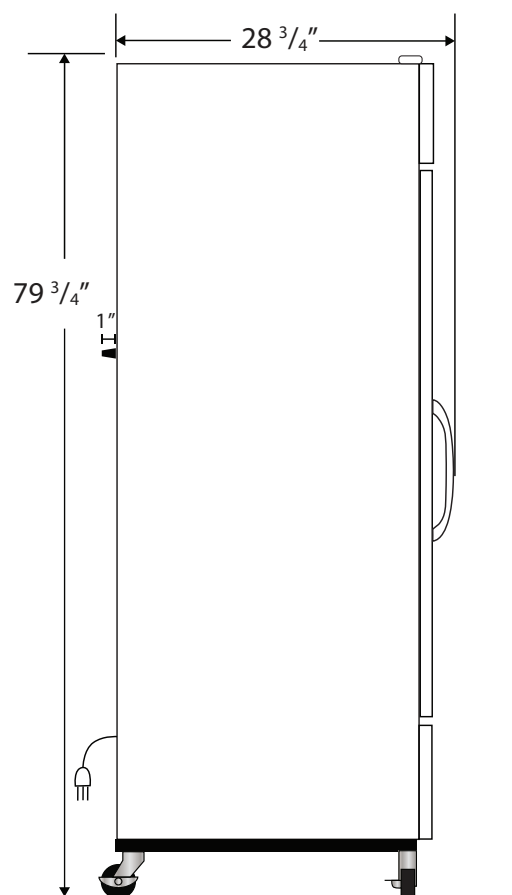


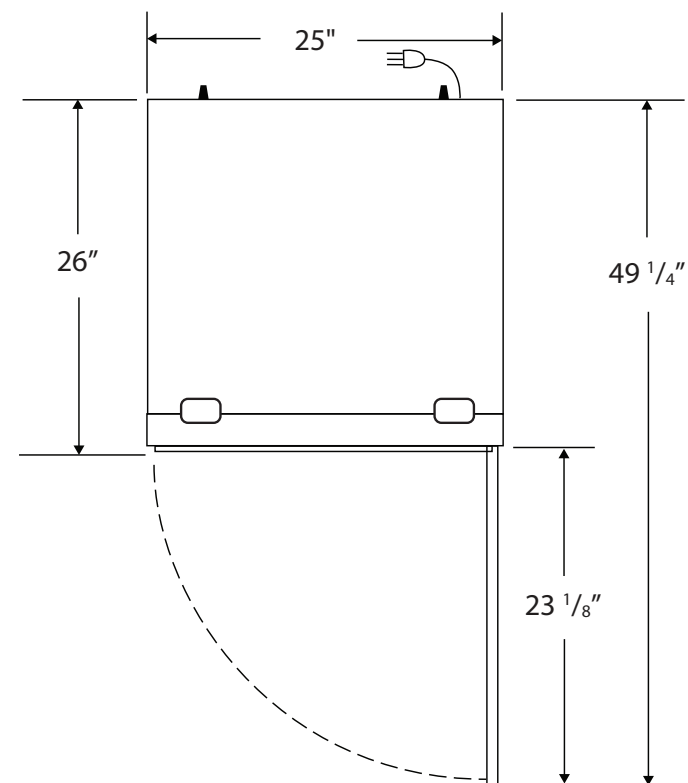
Front View



Side View



Top View


 115VAC/60Hz/1PH  
 NEMA-5-15P

Cu. Ft	Defrost	Door	Int Door	Shelves	W"	D"	H"	Refrigerant	H.P.	Amps	Weight
16	Cycle	1 Glass	0	5 Adj	25	29 3/4	79 3/4	R290	1/5	3	243 lbs.