



76644-732
VWR-HC-MFP-14-TS

Product Data Sheet

14 Cu. Ft. Performance Series Manual Defrost Freezer

Images



Product Description

Manual defrost laboratory freezers offer professional cold storage for scientific and industrial settings. Units come equipped with temperature alarms, keyed door locks, probe access, and precise temperature monitoring through microprocessor control.

Our Performance Series freezers showcase elite features including state-of-the-art touchscreen controllers, advanced alarms and data logging capabilities and unparalleled temperature control. All units run on natural, hydrocarbon refrigerant for environmental health and energy efficiency.

Certifications



General Description and Application

Storage capacity (cu. ft)	14
Door	Solid, right hinged, magnetic door gasket for positive seal
Shelves	6 Fixed
Freezer Compartments	7 Inner Doors
Baskets	Non-applicable
Mounting	Leveling Legs
Interior lighting	Non-applicable
Airflow management	Non-applicable
External probe access	Rear wall port (3/4") dia.
Insulation	Cabinet is foamed-in-place with EPA compliant high density urethane foam
Exterior materials	White powder coated steel
Access Control	Keyed Door Lock
General warranty	Three (3) year parts and labor warranty
Compressor Parts Warranty	Five (5) year compressor parts warranty
Warranty Disclaimer	Products require 4" of clearance around back and sides of the unit for proper ventilation - improper installation will void the warranty and will lead to temperature maintenance issues, overheating and possible failure
Product Weight (lbs)	200
Shipping Weight (lbs)	220
Rated Amperage	3.5 Amps
Power Plug/Power Cord	NEMA 5-15 Plug, conforms to UL471 requirements
Facility Electrical Requirement	115V, 60 Hz
Agency Listing and Certification	ETL Listed

Refrigeration System

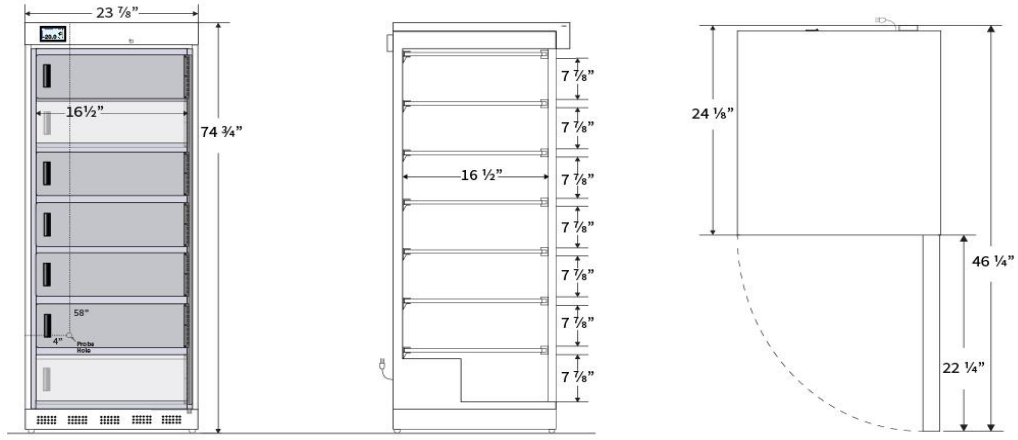
Refrigerant	R290
Defrost	Manual

Controller, Configuration, Alarms and Monitoring

Controller technology	Microprocessor temperature controller with digital temperature display, °C/°F switchable
Display technology	Touch screen digital temperature display with user friendly interface, real-time operational display clock, active temperature scale bar display, resettable 1-point min/max history, digital 24-hour temperature chart, and temperature data logging
Adjustable Temperature Range	-15°C to -25°C
External alarm connection	State switching remote alarm contacts
Alarms	Adjustable alarm volume, Audible and visual high and low temperature alarms, sensor error alarm, power failure alarm, door ajar alarm, low battery alarm, alarm validation (audible, visual, and remote alarm), alarm mute with ring back, and customizable alarm time delay settings
Controller probe	2 Probes; 1 in air and 1 in sample bottle
Disclaimers	Indoor use only, +18°C to +26°C (+65°F to +78°F), <70% RH Defrosting of the unit will need to be performed periodically to prevent severe ice build-up Specifications are subject to change

Dimensions

	Width (in.)	Depth (in.)	Height (in.)	Door Swing (in.)	Total open Depth (in.)
Exterior	23 7/8"	24 1/8"	74 3/4"	22 1/4"	46 1/4"
Interior	16 1/2"	16 1/2"	Non-applicable		



Contact

Warranty Service 1-800-268-4355
 Technical Service 1-888-897-5463

warranty@vwr.com
technicalproductSupportNA@vwr.com

Rev_05082023