

## VWR® LABORATORY BENCHES

Ergonomic, Flexible  
Lab System for Today's  
Modern Laboratories



---

## VWR LABORATORY BENCHES

---

VWR® Lab Benches are ergonomically designed to meet the needs of laboratory personnel. There are many possible adjustments, all components fit together seamlessly, and each detail is designed for real world functionality.

The lab bench adapts to the work process and the needs of the user. As a result, all movements of the user can be optimized, which in turn increases performance and productivity and decreases work-related stress.

VWR® Lab Benches are height-adjustable in manual, motorized and hand crank versions. All bench frames can be equipped with casters to create a mobile workstation solution. Frame color: Light Neutral. Available with laminate or black phenolic worksurfaces.

\*Benches ship unassembled. Assembled shipping and installation services available upon request. See pages 18-19 for product specs.

- Ergonomic and highly adaptable to the needs of the user
- Flexible, modular design
- Suitable for heavy loads up to 1100 lbs
- Offering a wide range of accessories to meet any need





Manual



Max Load: 1100 lbs.

Handcrank



Max Load: 440 lbs.

Motorized



Max Load: 660 lbs (dynamic)/  
1100 lbs. (static)

## VWR® C-Leg Lab Benches

Width (in.)	Worksurface	Height (in.)	Depth (in.)*	Cat. No.
<b>Manual Frame Style</b>				
48"	Phenolic	26.62-44.34	30	89524-198
48"	Phenolic	26.62-44.34	36	89524-832
60"	Phenolic	26.62-44.34	30	89524-220
60"	Phenolic	26.62-44.34	36	89524-834
72"	Phenolic	26.62-44.34	30	89524-200
72"	Phenolic	26.62-44.34	36	89524-836
48"	Laminate	26.62-44.34	30	89524-202
48"	Laminate	26.62-44.34	36	89524-838
60"	Laminate	26.62-44.34	30	89524-204
60"	Laminate	26.62-44.34	36	89524-840
72"	Laminate	26.62-44.34	30	89524-206
72"	Laminate	26.62-44.34	36	89524-842
<b>Handcrank Frame Style</b>				
48"	Phenolic	26.82-40.60	30	89524-270
48"	Phenolic	26.82-40.60	36	89524-904
60"	Phenolic	26.82-40.60	30	89524-268
60"	Phenolic	26.82-40.60	36	89524-906
72"	Phenolic	26.82-40.60	30	89524-272
72"	Phenolic	26.82-40.60	36	89524-906
48"	Laminate	26.82-40.60	30	89524-192
48"	Laminate	26.82-40.60	36	89524-826
60"	Laminate	26.82-40.60	30	89524-194
60"	Laminate	26.82-40.60	36	89524-828
72"	Laminate	26.82-40.60	30	89524-196
72"	Laminate	26.82-40.60	36	89524-830
<b>Motorized Frame Style</b>				
48"	Phenolic	27.80-43.55	30	89524-334
48"	Phenolic	27.80-43.55	36	89524-970
60"	Phenolic	27.80-43.55	30	89524-356
60"	Phenolic	27.80-43.55	36	89524-992
72"	Phenolic	27.80-43.55	30	89524-336
72"	Phenolic	27.80-43.55	36	89524-972
48"	Laminate	27.80-43.55	30	89524-338
48"	Laminate	27.80-43.55	36	89524-974
60"	Laminate	27.80-43.55	30	89524-340
60"	Laminate	27.80-43.55	36	89524-976
72"	Laminate	27.80-43.55	30	89524-342
72"	Laminate	27.80-43.55	36	89524-978

\*Depth with uprights attached are 32.625" for 30"D tables and 38.625" for 36"D tables, due to depth of uprights and notched table top.

## VWR® C-Leg Frame Only

Width (in.)	Height (in.)	Depth (in.)*	Cat. No
<b>Manual Frame Style</b>			
48"	26.62-44.34	30	10682-750
48"	26.62-44.34	36	10682-780
60"	26.62-44.34	30	10682-776
60"	26.62-44.34	36	10682-782
72"	26.62-44.34	30	10682-778
72"	26.62-44.34	36	10682-784
<b>Handcrank Frame Style</b>			
48"	26.82-40.60	30	10682-786
48"	26.82-40.60	36	10682-752
60"	26.82-40.60	30	10682-788
60"	26.82-40.60	36	10682-754
72"	26.82-40.60	30	10682-790
72"	26.82-40.60	36	10682-756
<b>Motorized Frame Style</b>			
48"	27.80-43.55	30	10682-758
48"	27.80-43.55	36	10682-764
60"	27.80-43.55	30	10682-760
60"	27.80-43.55	36	10682-766
72"	27.80-43.55	30	10682-762
72"	27.80-43.55	36	10682-768

## VWR® C-Leg Manual Frame with Notched Worksurface

Width (in.)	Worksurface	Depth (in.)	Cat. No.
<b>Single Bay</b>			
48"	Phenolic	32.625"	10682-568
48"	Phenolic	38.625"	10682-574
60"	Phenolic	32.625"	10682-570
60"	Phenolic	38.625"	10682-576
72"	Phenolic	32.625"	10682-572
72"	Phenolic	38.625"	10682-578
48"	Laminate	32.625"	10682-580
48"	Laminate	38.625"	10682-618
60"	Laminate	32.625"	10682-582
60"	Laminate	38.625"	10682-620
72"	Laminate	32.625"	10682-584
72"	Laminate	38.625"	10682-622
<b>Double Bay</b>			
60"	Phenolic	32.625"	10682-668
60"	Phenolic	38.625"	10682-672
72"	Phenolic	32.625"	10682-670
72"	Phenolic	38.625"	10682-674
60"	Laminate	32.625"	10682-676
60"	Laminate	38.625"	10682-680
72"	Laminate	32.625"	10682-678
72"	Laminate	38.625"	10682-682

Notched work surfaces add 2.625" to depth of table frame. Work surfaces for single bay uprights include 2 notches (left and right); work surfaces for double bay uprights include 3 notches (left, center, right)



Shown Above: Single notched top for single bay uprights

## VWR® C-Leg Handcrank Frame with Notched Worksurface

Width (in.)	Worksurface	Depth (in.)	Cat. No.
<b>Single Bay</b>			
48"	Phenolic	32.625"	10682-624
48"	Phenolic	38.625"	10682-630
60"	Phenolic	32.625"	10682-626
60"	Phenolic	38.625"	10682-632
72"	Phenolic	32.625"	10682-628
72"	Phenolic	38.625"	10682-634
48"	Laminate	32.625"	10682-636
48"	Laminate	38.625"	10682-642
60"	Laminate	32.625"	10682-638
60"	Laminate	38.625"	10682-644
72"	Laminate	32.625"	10682-640
72"	Laminate	38.625"	10682-646
<b>Double Bay</b>			
60"	Phenolic	32.625"	10682-684
60"	Phenolic	38.625"	10682-688
72"	Phenolic	32.625"	10682-686
72"	Phenolic	38.625"	10682-690
60"	Laminate	32.625"	10682-692
60"	Laminate	38.625"	10682-696
72"	Laminate	32.625"	10682-694
72"	Laminate	38.625"	10682-698

Notched work surfaces add 2.625" to depth of table frame. Work surfaces for single bay uprights include 2 notches (left and right); work surfaces for double bay uprights include 3 notches (left, center, right)

## VWR® C-Leg Motorized Frame with Notched Worksurface

Width (in.)	Worksurface	Depth (in.)	Cat. No.
<b>Single Bay</b>			
48"	Phenolic	32.625"	10682-650
48"	Phenolic	38.625"	10682-656
60"	Phenolic	32.625"	10682-652
60"	Phenolic	38.625"	10682-658
72"	Phenolic	32.625"	10682-654
72"	Phenolic	38.625"	10682-660
48"	Laminate	32.625"	10682-770
48"	Laminate	38.625"	10682-662
60"	Laminate	32.625"	10682-772
60"	Laminate	38.625"	10682-664
72"	Laminate	32.625"	10682-774
72"	Laminate	38.625"	10682-666
<b>Double Bay</b>			
60"	Phenolic	32.625"	10682-684
60"	Phenolic	38.625"	10682-704
72"	Phenolic	32.625"	10682-702
72"	Phenolic	38.625"	10682-706
60"	Laminate	32.625"	10682-708
60"	Laminate	38.625"	10682-712
72"	Laminate	32.625"	10682-710
72"	Laminate	38.625"	10682-714

Notched work surfaces add 2.625" to depth of table frame. Work surfaces for single bay uprights include 2 notches (left and right); work surfaces for double bay uprights include 3 notches (left, center, right)



Shown Above: Double notched top for double bay uprights

# VWR® LAB BENCHES



Manual Frame with laminate top



Handcrank Frame with laminate top

## VWR® C-Leg Lab Benches with Single Bay Uprights

Width (in.)	Worksurface	Depth (in.)*	Cat. No.
<b>Manual</b>			
48.5"	Phenolic	32.625"	89524-208
48.5"	Phenolic	38.625"	89524-844
60.375"	Phenolic	32.625"	89524-210
60.375"	Phenolic	38.625"	89524-846
72"	Phenolic	32.625"	89524-212
72"	Phenolic	38.625"	89524-848
48.5"	Laminate	32.625"	89524-214
48.5"	Laminate	38.625"	89524-850
60.675"	Laminate	32.625"	89524-216
60.675"	Laminate	38.625"	89524-852
72"	Laminate	32.625"	89524-218
72"	Laminate	38.625"	89524-854
<b>Handcrank</b>			
48.5"	Phenolic	32.625"	89524-274
48.5"	Phenolic	38.625"	89524-910
60.375"	Phenolic	32.625"	89524-276
60.375"	Phenolic	38.625"	89524-912
72"	Phenolic	32.625"	89524-278
72"	Phenolic	38.625"	89524-914
48.5"	Laminate	32.625"	89524-280
48.5"	Laminate	38.625"	89524-916
60.375"	Laminate	32.625"	89524-282
60.375"	Laminate	38.625"	89524-918
72"	Laminate	32.625"	89524-284
72"	Laminate	38.625"	89524-920
<b>Motorized</b>			
48.5"	Phenolic	32.625"	89524-344
48.5"	Phenolic	38.625"	89524-980
60.375"	Phenolic	32.625"	89524-346
60.375"	Phenolic	38.625"	89524-982
72"	Phenolic	32.625"	89524-348
72"	Phenolic	38.625"	89524-984
48.5"	Laminate	32.625"	89524-350
48.5"	Laminate	38.625"	89524-986
60.375"	Laminate	32.625"	89524-352
60.375"	Laminate	38.625"	89524-988
72"	Laminate	32.625"	89524-354
72"	Laminate	38.625"	89524-990

## VWR® C-Leg Lab Benches with Double Bay Uprights

Width (in.)	Worksurface	Depth (in.)*	Cat. No.
<b>Manual</b>			
60.375"	Phenolic	32.625"	89524-222
60.375"	Phenolic	38.625"	89524-856
72"	Phenolic	32.625"	89524-224
72"	Phenolic	38.625"	89524-858
60.675"	Laminate	32.625"	89524-226
60.675"	Laminate	38.625"	89524-860
72"	Laminate	32.625"	89524-228
72"	Laminate	38.625"	89524-862
<b>Handcrank</b>			
60.375"	Phenolic	32.625"	89524-286
60.375"	Phenolic	38.625"	89524-922
72"	Phenolic	32.625"	89524-288
72"	Phenolic	38.625"	89524-924
60.375"	Laminate	32.625"	89524-290
60.375"	Laminate	38.625"	89524-926
72"	Laminate	32.625"	89524-292
72"	Laminate	38.625"	89524-928
<b>Motorized</b>			
60.375"	Phenolic	32.625"	89524-358
60.375"	Phenolic	38.625"	89524-994
72"	Phenolic	32.625"	89524-360
72"	Phenolic	38.625"	89524-996
60.375"	Laminate	32.625"	89524-362
60.375"	Laminate	38.625"	89524-998
72"	Laminate	32.625"	89524-364
72"	Laminate	38.625"	89525-000

\*Depth with uprights attached are 32.625" for 30"D tables and 38.625" for 36"D tables, due to depth of uprights and notched table top. Width dimensions shown above also include added width from uprights.

\*Depth with uprights attached are 32.625" for 30"D tables and 38.625" for 36"D tables, due to depth of uprights and notched table top. Width dimensions shown above also include added width from uprights.



11.81"D Steel Shelf with mounting brackets, can be positioned along the height of the upright.

Motorized Frame with phenolic top



\*Depth with uprights attached are 32.625" for 30"D tables and 38.625" for 36"D tables, due to depth of uprights and notched table top. Width dimensions shown above also include added width from uprights.

Motorized Frame with phenolic top

### VWR® C-Leg Lab Benches with Single Bay Uprights and Steel Shelf

Dimensions W x H (in.)	Worksurface	Depth (in.)	Steel Shelf	Cat. No.
<b>Manual</b>				
48.5" x 53.5"	Phenolic	32.625"	48"W Shelf	89524-230
48.5" x 53.5"	Phenolic	38.625"	48"W Shelf	89524-864
60.375" x 53.5"	Phenolic	32.625"	60"W Shelf	89524-231
60.375" x 53.5"	Phenolic	38.625"	60"W Shelf	89524-866
72" x 53.5"	Phenolic	32.625"	72"W Shelf	89524-232
72" x 53.5"	Phenolic	38.625"	72"W Shelf	89524-868
48.5" x 53.5"	Laminate	32.625"	48"W Shelf	89524-234
48.5" x 53.5"	Laminate	38.625"	48"W Shelf	89524-870
60.675" x 53.5"	Laminate	32.625"	60"W Shelf	89524-236
60.675" x 53.5"	Laminate	38.625"	60"W Shelf	89524-872
72" x 53.5"	Laminate	32.625"	72"W Shelf	89524-238
72" x 53.5"	Laminate	38.625"	72"W Shelf	89524-874
<b>Handcrank</b>				
48.5" x 53.5"	Phenolic	32.625"	48"W Shelf	89524-294
48.5" x 53.5"	Phenolic	38.625"	48"W Shelf	89524-930
60.375" x 53.5"	Phenolic	32.625"	60"W Shelf	89524-296
60.375" x 53.5"	Phenolic	38.625"	60"W Shelf	89524-932
72" x 53.5"	Phenolic	32.625"	72"W Shelf	89524-298
72" x 53.5"	Phenolic	38.625"	72"W Shelf	89524-934
48.5" x 53.5"	Laminate	32.625"	48"W Shelf	89524-300
48.5" x 53.5"	Laminate	38.625"	48"W Shelf	89524-936
60.375" x 53.5"	Laminate	32.625"	60"W Shelf	89524-302
60.375" x 53.5"	Laminate	38.625"	60"W Shelf	89524-938
72" x 53.5"	Laminate	32.625"	72"W Shelf	89524-304
72" x 53.5"	Laminate	38.625"	72"W Shelf	89524-940
<b>Motorized</b>				
48.5" x 53.5"	Phenolic	32.625"	48"W Shelf	89524-366
48.5" x 53.5"	Phenolic	38.625"	48"W Shelf	89525-002
60.375" x 53.5"	Phenolic	32.625"	60"W Shelf	89524-368
60.375" x 53.5"	Phenolic	38.625"	60"W Shelf	89525-004
72" x 53.5"	Phenolic	32.625"	72"W Shelf	89524-370
72" x 53.5"	Phenolic	38.625"	72"W Shelf	89525-006
48.5" x 53.5"	Laminate	32.625"	48"W Shelf	89524-372
48.5" x 53.5"	Laminate	38.625"	48"W Shelf	89525-008
60.375" x 53.5"	Laminate	32.625"	60"W Shelf	89524-374
60.375" x 53.5"	Laminate	38.625"	60"W Shelf	89525-010
72" x 53.5"	Laminate	32.625"	72"W Shelf	89524-376
72" x 53.5"	Laminate	38.625"	72"W Shelf	89525-012

### VWR® C-Leg Lab Benches with Single Bay Uprights and Two Steel Shelves

Width (in.)	Worksurface	Height (in.)	Depth (in.)	Steel Shelf	Cat. No.
<b>Manual</b>					
48.5"	Phenolic	53.5"	32.625"	48"W Shelves	89524-240
48.5"	Phenolic	53.5"	38.625"	48"W Shelves	89524-876
60.375"	Phenolic	53.5"	32.625"	60"W Shelves	89524-242
60.375"	Phenolic	53.5"	38.625"	60"W Shelves	89524-878
72"	Phenolic	53.5"	32.625"	72"W Shelves	89524-244
72"	Phenolic	53.5"	38.625"	72"W Shelves	89524-880
48.5"	Laminate	53.5"	32.625"	48"W Shelves	89524-246
48.5"	Laminate	53.5"	38.625"	48"W Shelves	89524-882
60.675"	Laminate	53.5"	32.625"	60"W Shelves	89524-248
60.675"	Laminate	53.5"	38.625"	60"W Shelves	89524-884
72"	Laminate	53.5"	32.625"	72"W Shelves	89524-250
72"	Laminate	53.5"	38.625"	72"W Shelves	89524-886
<b>Handcrank</b>					
48.5"	Phenolic	53.5"	32.625"	48"W Shelves	89524-306
48.5"	Phenolic	53.5"	38.625"	48"W Shelves	89524-942
60.375"	Phenolic	53.5"	32.625"	60"W Shelves	89524-308
60.375"	Phenolic	53.5"	38.625"	60"W Shelves	89524-944
72"	Phenolic	53.5"	32.625"	72"W Shelves	89524-310
72"	Phenolic	53.5"	38.625"	72"W Shelves	89524-946
48.5"	Laminate	53.5"	32.625"	48"W Shelves	89524-312
48.5"	Laminate	53.5"	38.625"	48"W Shelves	89524-948
60.375"	Laminate	53.5"	32.625"	60"W Shelves	89524-314
60.375"	Laminate	53.5"	38.625"	60"W Shelves	89524-950
72"	Laminate	53.5"	32.625"	72"W Shelves	89524-316
72"	Laminate	53.5"	38.625"	72"W Shelves	89524-952
<b>Motorized</b>					
48.5"	Phenolic	53.5"	32.625"	48"W Shelves	89524-378
48.5"	Phenolic	53.5"	38.625"	48"W Shelves	89525-014
60.375"	Phenolic	53.5"	32.625"	60"W Shelves	89524-380
60.375"	Phenolic	53.5"	38.625"	60"W Shelves	89525-016
72"	Phenolic	53.5"	32.625"	72"W Shelves	89524-382
72"	Phenolic	53.5"	38.625"	72"W Shelves	89525-018
48.5"	Laminate	53.5"	32.625"	48"W Shelves	89524-384
48.5"	Laminate	53.5"	38.625"	48"W Shelves	89525-020
60.375"	Laminate	53.5"	32.625"	60"W Shelves	89524-386
60.375"	Laminate	53.5"	38.625"	60"W Shelves	89525-022
72"	Laminate	53.5"	32.625"	72"W Shelves	89524-388
72"	Laminate	53.5"	38.625"	72"W Shelves	89525-024



## VWR® C-Leg Lab Benches with Double Bay Uprights and Two Steel Shelves

Width (in.)	Worksurface	Depth (in.)	Steel Shelf	Cat. No.
<b>Manual</b>				
60.375"	Phenolic	32.625"	30"W Shelves	89524-252
60.375"	Phenolic	38.625"	30"W Shelves	89524-888
72"	Phenolic	32.625"	36"W Shelves	89524-254
72"	Phenolic	38.625"	36"W Shelves	89524-890
60.675"	Laminate	32.625"	30"W Shelves	89524-256
60.675"	Laminate	38.625"	30"W Shelves	89524-892
72"	Laminate	32.625"	36"W Shelves	89524-258
72"	Laminate	38.625"	36"W Shelves	89524-894
<b>Handcrank</b>				
60.375"	Phenolic	32.625"	30"W Shelves	89524-318
60.375"	Phenolic	38.625"	30"W Shelves	89524-954
72"	Phenolic	32.625"	36"W Shelves	89524-320
72"	Phenolic	38.625"	36"W Shelves	89524-956
60.375"	Laminate	32.625"	30"W Shelves	89524-322
60.375"	Laminate	38.625"	30"W Shelves	89524-958
72"	Laminate	32.625"	36"W Shelves	89524-324
72"	Laminate	38.625"	36"W Shelves	89524-960
<b>Motorized</b>				
60.375"	Phenolic	32.625"	30"W Shelves	89524-390
60.375"	Phenolic	38.625"	30"W Shelves	89525-026
72"	Phenolic	32.625"	36"W Shelves	89524-392
72"	Phenolic	38.625"	36"W Shelves	89525-028
60.375"	Laminate	32.625"	30"W Shelves	89524-394
60.375"	Laminate	38.625"	30"W Shelves	89525-030
72"	Laminate	32.625"	36"W Shelves	89524-396
72"	Laminate	38.625"	36"W Shelves	89525-032

\*Depth with uprights attached are 32.625" for 30"D tables and 38.625" for 36"D tables, due to depth of uprights and notched table top. Width dimensions shown above also include added width from uprights.

## VWR® C-Leg Lab Benches with Double Bay Uprights and Four Steel Shelves

Width (in.)	Worksurface	Depth (in.)	Steel Shelf	Cat. No.
<b>Manual</b>				
60.375"	Phenolic	32.625"	30"W Shelves	89524-260
60.375"	Phenolic	38.625"	30"W Shelves	89524-896
72"	Phenolic	32.625"	36"W Shelves	89524-262
72"	Phenolic	38.625"	36"W Shelves	89524-898
60.675"	Laminate	32.625"	30"W Shelves	89524-264
60.675"	Laminate	38.625"	30"W Shelves	89524-900
72"	Laminate	32.625"	36"W Shelves	89524-266
72"	Laminate	38.625"	36"W Shelves	89524-902
<b>Handcrank</b>				
60.375"	Phenolic	32.625"	30"W Shelves	89524-326
60.375"	Phenolic	38.625"	30"W Shelves	89524-962
72"	Phenolic	32.625"	36"W Shelves	89524-328
72"	Phenolic	38.625"	36"W Shelves	89524-964
60.375"	Laminate	32.625"	30"W Shelves	89524-330
60.375"	Laminate	38.625"	30"W Shelves	89524-966
72"	Laminate	32.625"	36"W Shelves	89524-332
72"	Laminate	38.625"	36"W Shelves	89524-968
<b>Motorized</b>				
60.375"	Phenolic	32.625"	30"W Shelves	89524-398
60.375"	Phenolic	38.625"	30"W Shelves	89525-034
72"	Phenolic	32.625"	36"W Shelves	89524-400
72"	Phenolic	38.625"	36"W Shelves	89525-036
60.375"	Laminate	32.625"	30"W Shelves	89524-402
60.375"	Laminate	38.625"	30"W Shelves	89525-038
72"	Laminate	32.625"	36"W Shelves	89524-404
72"	Laminate	38.625"	36"W Shelves	89525-040

\*Depth with uprights attached are 32.625" for 30"D tables and 38.625" for 36"D tables, due to depth of uprights and notched table top. Width dimensions shown above also include added width from uprights.



Motorized Frame with phenolic top



Motorized Frame with phenolic top



## VWR FOUR-LEGGED BENCHES

The classically designed VWR® Basic Four-Legged Workbench is the ideal basic bench, the simplest and the most cost-effective option in our range of workbenches. VWR® Basic Four-Legged Workbenches are standard benches that are suitable for a broad range of tasks and environments when fitted with accessories: testing, packing, repairing, inspecting. VWR® Basic Four-Legged Workbench is guaranteed for regular use with loads up to 660 lbs.

Designed for use in today's production and assembly environments, this definitive modular system, developed over more than 35 years, provides a high quality working environment. Customize your workstation to your own requirements.

### Stepless height adjustment

The height of workbenches in the basic four-legged range can be steplessly adjusted from 25.6" to 35.4", which makes these benches suitable for work while sitting or standing.

- Steel structure
- A cost-effective option
- Easy to equip with a variety of accessories
- Stepless height adjustment with allen-key between 25.6"-35.4"
- Max load: 660 lbs.
- Frames are of epoxy powder coated steel in light neutral
- Upright tubes allow for attachment of a wide range of accessories
- Worksurfaces included (unless otherwise stated)
- See page 20 for product specifications



# VWR® LAB BENCHES



## VWR® Four-Legged Frame Lab Benches

Size D x W (in.)*	Worksurface	Cat. No.
30" x 48"	None	10747-874
30" x 60"	None	10747-876
30" x 72"	None	10747-878
30" x 48"	Phenolic	89524-406
30" x 60"	Phenolic	89524-408
30" x 72"	Phenolic	89524-410
30" x 48"	Laminate	89524-412
30" x 60"	Laminate	89524-414
30" x 72"	Laminate	89524-416

## VWR® Four-Legged Frame with Notched Worksurface

Width (in.)	Worksurface	Cat. No.
<b>Single Bay</b>		
48"	Phenolic	10682-716
60"	Phenolic	10682-718
72"	Phenolic	10682-720
48"	Laminate	10682-722
60"	Laminate	10682-724
72"	Laminate	10682-726
<b>Double Bay</b>		
60"	Phenolic	10682-728
72"	Phenolic	10682-730
60"	Laminate	10682-732
72"	Laminate	10682-734

Notched work surfaces add 2.625" to depth of table frame. Work surfaces for single bay uprights include 2 notches (left and right), work surfaces for double bay uprights include 3 notches (left, center, right)



## VWR® Four-Legged Frame Lab Benches with Single Bay Uprights

Size D x W (in.)*	Worksurface	Cat. No.
32.625" x 48.5"	Phenolic	89524-418
32.625" x 60.375"	Phenolic	89524-420
32.625" x 72"	Phenolic	89524-422
32.625" x 48.5"	Laminate	89524-424
32.625" x 60.375"	Laminate	89524-426
32.625" x 72"	Laminate	89524-428

\*Depth with uprights attached are 32.625" for 30"D tables and 38.625" for 36"D tables, due to depth of uprights and notched table top. Width dimensions shown above also include added width from uprights.



## VWR® Four-Legged Frame Lab Benches with Double Bay Uprights

Size D x W (in.)*	Worksurface	Cat. No.
32.625" x 60.375"	Phenolic	89524-430
32.625" x 72"	Phenolic	89524-432
32.625" x 60.375"	Laminate	89524-434
32.625" x 72"	Laminate	89524-436

\*Depth with uprights attached are 32.625" for 30"D tables and 38.625" for 36"D tables, due to depth of uprights and notched table top. Width dimensions shown above also include added width from uprights.



### VWR® Four-Legged Frame Lab Benches with Single Bay Uprights and a Steel Shelf

Size D x W (in.)*	Worksurface	Steel Shelf	VWR Cat. No.
32.625" x 48.5"	Phenolic	48"W Shelf	89524-438
32.625" x 60.375"	Phenolic	60"W Shelf	89524-440
32.625" x 72"	Phenolic	72"W Shelf	89524-442
32.625" x 48.5"	Laminate	48"W Shelf	89524-444
32.625" x 60.375"	Laminate	60"W Shelf	89524-446
32.625" x 72"	Laminate	72"W Shelf	89524-448

\*Depth with uprights attached are 32.625" for 30"D tables and 38.625" for 36"D tables, due to depth of uprights and notched table top. Width dimensions shown above also include added width from uprights.



### VWR® Four-Legged Frame Lab Benches with Single Bay Uprights and Two Steel Shelves

Size D x W (in.)*	Worksurface	Steel Shelves	Cat. No.
32.625" x 48.5"	Phenolic	48"W Shelves	89524-450
32.625" x 60.375"	Phenolic	60"W Shelves	89524-452
32.625" x 72"	Phenolic	72"W Shelves	89524-454
32.625" x 48.5"	Laminate	48"W Shelves	89524-456
32.625" x 60.675"	Laminate	60"W Shelves	89524-458
32.625" x 72"	Laminate	72"W Shelves	89524-460

\*Depth with uprights attached are 32.625" for 30"D tables and 38.625" for 36"D tables, due to depth of uprights and notched table top. Width dimensions shown above also include added width from uprights.



### VWR® Four-Legged Frame Lab Benches with Double Bay Uprights and Two Steel Shelves

Size D x W (in.)*	Worksurface	Steel Shelves	Cat. No.
32.625" x 60.375"	Phenolic	30"W Shelves	89524-462
32.625" x 72"	Phenolic	36"W Shelves	89524-464
32.625" x 60.675"	Laminate	30"W Shelves	89524-466
32.625" x 72"	Laminate	36"W Shelves	89524-468

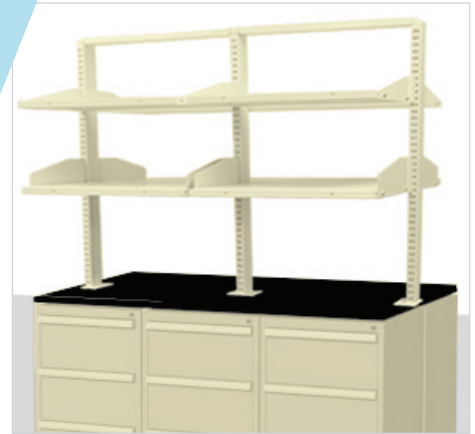
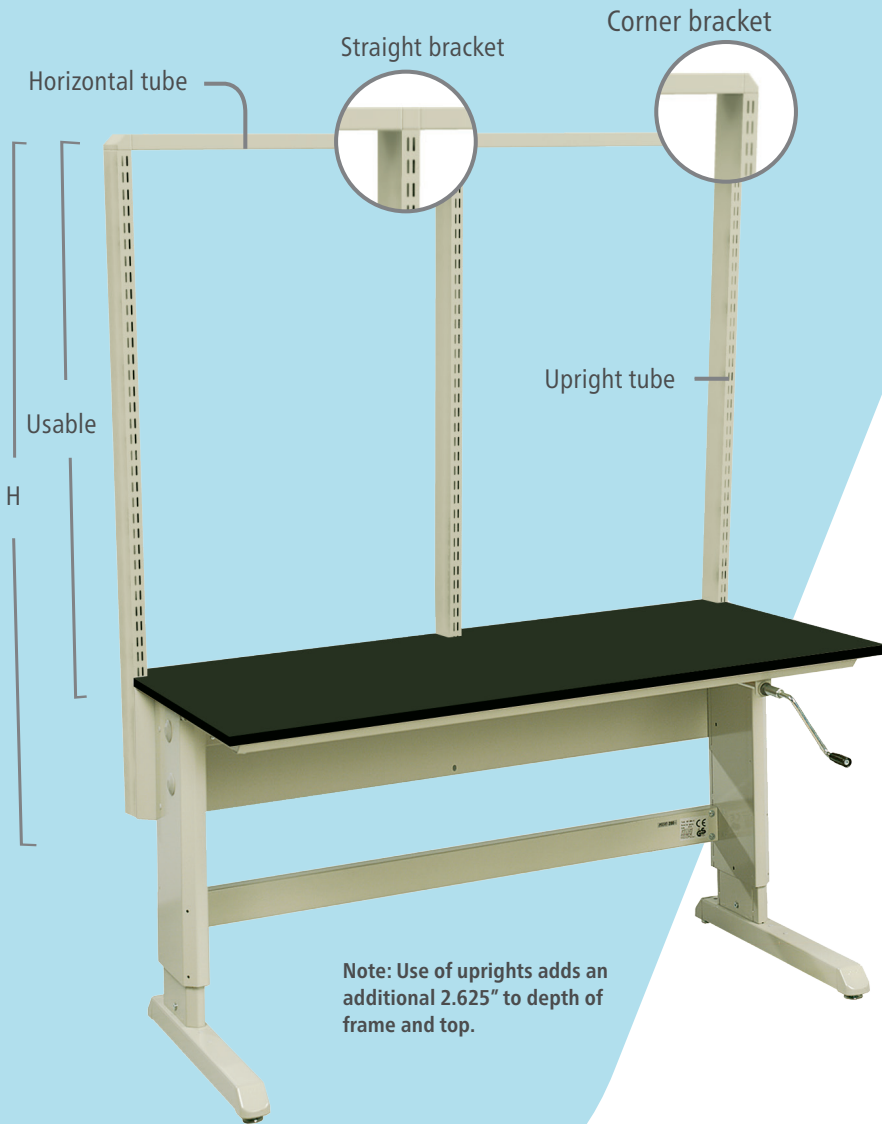
\*Depth with uprights attached are 32.625" for 30"D tables and 38.625" for 36"D tables, due to depth of uprights and notched table top. Width dimensions shown above also include added width from uprights.



### VWR® Four-Legged Frame Lab Benches with Double Bay Uprights and Four Steel Shelves

Size D x W (in.)*	Worksurface	Steel Shelves	Cat. No.
32.625" x 60.375"	Phenolic	30"W Shelves	89524-470
32.625" x 72"	Phenolic	36"W Shelves	89524-472
32.625" x 60.675"	Laminate	30"W Shelves	89524-474
32.625" x 72"	Laminate	36"W Shelves	89524-476

\*Depth with uprights attached are 32.625" for 30"D tables and 38.625" for 36"D tables, due to depth of uprights and notched table top. Width dimensions shown above also include added width from uprights.



## Reagent Rack Counter-Mounted Shelving

The shelf bay includes two left/right uprights with brackets, one horizontal rail and two corner brackets. The shelf bay extension includes one center upright with brackets and one horizontal rail.

Width (in.)	Cat. No.
<b>Shelf Bay 31.10"</b>	
30"	10808-838
36"	10808-850
48"	10808-862
60"	10808-874
72"	10808-886
<b>Shelf Extension 31.10"</b>	
30"	10808-840
36"	10808-852
48"	10808-864
60"	10808-876
72"	10808-888
<b>Shelf Bay 39.37"</b>	
30"	10808-842
36"	10808-854
48"	10808-866
60"	10808-878
72"	10808-890
<b>Shelf Extension 39.37"</b>	
30"	10808-844
36"	10808-856
48"	10808-868
60"	10808-880
72"	10808-892
<b>Shelf Bay 47.24"</b>	
30"	10808-846
36"	10808-858
48"	10808-870
60"	10808-882
72"	10808-894
<b>Extensions</b>	
30"	10808-848
36"	10808-860
48"	10808-872
60"	10808-884
72"	10808-896

Load capacity 310 lbs per bay.

Shelves not included. More information on page 13. See page 20 for mounting hole locations.

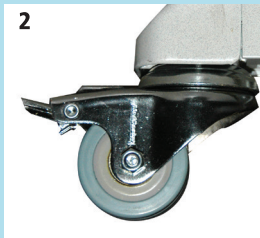
## Upright Component Parts

Description	Cat. No.
Single Slotted Upright, 53"	10486-496
Single Slotted Upright, 63"	10486-498
30"W Horizontal Tube	10486-500
36"W Horizontal Tube	10486-502
48"W Horizontal Tube	10486-504
60"W Horizontal Tube	10486-506
72"W Horizontal Tube	10486-508
Corner Bracket Pair for Upright Modules	10486-510
Straight/Tee Bracket for Upright Modules	10486-512

## Upright Modules

Description	Cat. No.
<b>Single Bay</b>	
48" x 53.5"H	10496-572
48" x 62.3"H	10486-478
60" x 53.5"H	10486-480
60" x 62.3"H	10486-482
72" x 53.5"H	10486-484
72" x 62.3"H	10486-486
<b>Double Bay</b>	
60" x 53.5"H	10486-488
60" x 62.3"H	10486-490
72" x 53.5"H	10486-492
72" x 62.3"H	10486-494

Usable height of uprights = 42.3"/51.18" from top  
See page 20 for product specifications



### Transport Skate

With a transport skate, one person can easily move benches. For long-distance moving, you will need two transport skates.



### Counter-Mounted Uprights Only

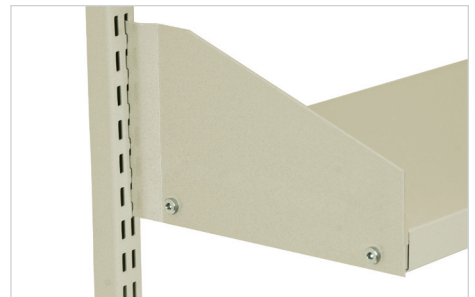
Upright Height	Mounting	Cat. No.
31.10"	Left/Right	10808-826
31.10"	Center	10808-828
39.37"	Left/Right	10808-830
39.37"	Center	10808-832
47.24"	Left/Right	10808-834
47.24"	Center	10808-836

### Castors

Description	Cat. No.
(1) Caster Set* 3.93" Diameter (adds 5.5")	89524-478
(2) Low Profile Caster Set*	89524-480
(3) Roll & Set Caster Set - 2.75"H (adds 3.5")	89524-482
(4) Transport Skate **	89524-484

\* Set includes two locking and two non-locking casters.

\*\* Adds 1.5" to table height when in use.



### Bookend Brackets

Description	Cat. No.
11.81" Bookend Bracket	89524-506
15.74" Bookend Bracket	89524-508



Steel Shelf w/standard bracket (included)



### Shelf Lips

Description	Cat. No.
30" Shelf Lip	89524-510
36" Shelf Lip	89524-512
48" Shelf Lip	89524-514
60" Shelf Lip	89524-516
72" Shelf Lip	89524-518

- Lip height: 1.5"  
- Lip height above shelf: .32"

### Shelves

Description	Shelf Depth	Max lbs	Cat. No.
30"	11.81"	176	89524-486
36"	11.81"	176	89524-488
48"	11.81"	176	89524-490
60"	11.81"	176	89524-492
72"	11.81"	176	89524-494
30"	15.74"	176	89524-496
36"	15.74"	176	89524-498
48"	15.74"	176	89524-500
60"	15.74"	176	89524-502
72"	15.74"	176	89524-504



Magnetic mounting attachment under metal shelves.



High/Low/Off switch allows for varying light intensity

## LED Lighting

Description	Size (in.)	Power	Cat. No.
24" Dual Intensity LED Light Fixture, Magnetic Attachment	22.44" x 1.26" x 1.81"	1200Lm5000K	89524-520
36" Dual Intensity LED Light Fixture, Magnetic Attachment	33.46" x 1.26" x 1.81"	1800Lm5000K	89524-522
48" Dual Intensity LED Light Fixture, Magnetic Attachment	44.48" x 1.26" x 1.81"	2400Lm5000K	89524-524
Extension Cable, 12"	12"L	-	89524-526
Extension Cable, 36"	36"L	-	89524-528



Vertical Power Rail



Horizontal Power Rail

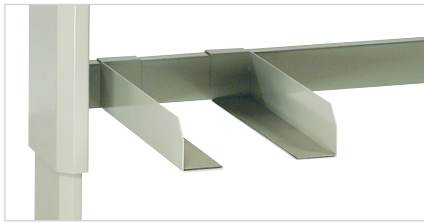
## Power Rails

Description	Cat. No.
30" Bin Rail w/6 Outlet Power	10611-600
30" Bin Rail w/6 Outlet Power, Surge	10611-602
36" Bin Rail w/6 Outlet Power	10611-604
36" Bin Rail w/6 Outlet Power, Surge	10611-606
48" Bin Rail w/6 Outlet Power	89524-530
48" Bin Rail w/6 Outlet Power, Surge	89524-532
60" Bin Rail w/6 Outlet Power	89524-534
60" Bin Rail w/6 Outlet Power, Surge	89524-536
72" Bin Rail w/6 Outlet Power	89524-538
72" Bin Rail w/6 Outlet Power, Surge	89524-540
6 Outlet Vertical Power Bar with Clamp*	89524-542
6 Outlet Vertical Power Bar with Clamp, Surge*	89524-544
12 Outlet Vertical Power Bar with Clamp*	89524-546
12 Outlet Vertical Power Bar with Clamp, Surge*	89524-548

\*Can also be mounted underneath the worksurface

**Note: All VWR bench accessories with painted steel components match light neutral frame color.**

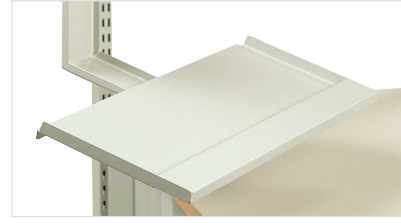




Equipment Holder - C-leg (bar)



A) LCD holder w/ double arm



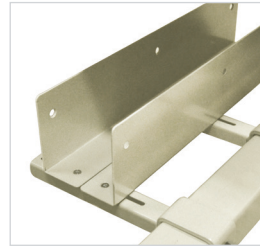
B/C) Keyboard tray for LCD holder\*



D) Height adjustable LCD monitor arm



Equipment Holder - Four-leg



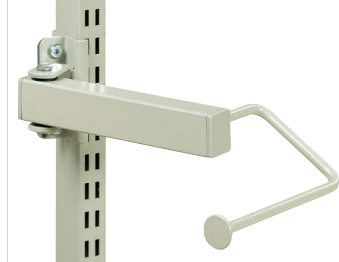
Equipment Holder - C-leg



E) Bag Holder



F) Bottle Holder



G) Roll Holder

## Holders

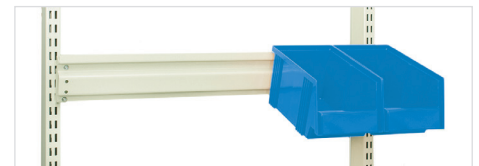
Description	Size (in.)	Max lbs	Cat. No.
Equipment Holder - C-leg Bar Mount	3.94 x 19.68 x 3.35	44	89524-550
Equipment Holder - C-leg Leg Mount	3.94-9.49 x 17.71 x 1.96	44	89524-552
Equipment Holder - C-leg Motor Leg Mount	3.94-9.49 x 17.71 x 1.96	44	89524-554
Equipment Holder - Four-leg	3.94-9.49 x 17.71 x 1.96	44	10746-456
LCD Holder with Double Arm, VESA <sup>75</sup> / <sub>100</sub> (A)	—	33	89524-560
Keyboard Tray for LCD Holder (B)	18.89 x 10.23	11	89524-562
Keyboard and Mouse Tray for LCD Holder (C)	24.40 x 10.23	11	89524-564
Height Adjustable Arm with Bracket (D)	—	33	89524-566
Bag Holder for Bench Top Lower Edge (E)	—	—	89524-614
Bottle Holder (3.14" base) (F)	—	—	89524-616
Roll Holder for Upright (Roll ø Height 5.90 inches, Width 6.88 inches) (G)	—	—	89524-618

\*Keyboard trays B and C compatible for LCD holder A only.

## Bin Rails

Description	Size (in)	Cat. No.
30" Bin Rail	29.21 x 3.54	89524-568
36" Bin Rail	35.23 x 3.54	89524-570
48" Bin Rail	47.04 x 3.54	89524-572
60" Bin Rail	58.89 x 3.54	89524-574
72" Bin Rail	70.66 x 3.54	89524-576

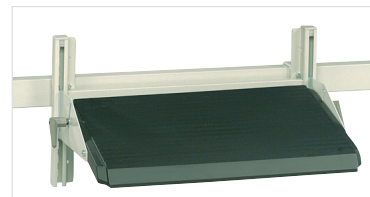
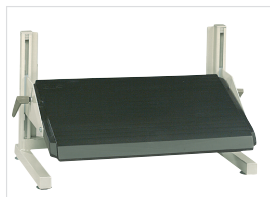
Bin rail load capacity 110 lbs per rail  
Bin rails may be mounted straight or angled at 15°



Bin rail with brackets. Bins sold separately.



# VWR® LAB BENCHES



## Footrests

Description	Size (in.)	Cat. No.
Footrest, Floor (5-30° tilt)	21.65 x 13.77 x 8.66	89524-578
Footrest, Floor Height Adjustable (5-30° tilt)	21.65 x 13.77 x 3.54-11.02	89524-580
Footrest, Bar Attachment (5-30° tilt)	21.65 x 13.77 x 3.54-11.02	89524-582
60" Bin Rail	58.89 x 3.54	89524-574
72" Bin Rail	70.66 x 3.54	89524-576



Sliding Door Cabinet



Binder Box



Overhead Flipper Door Cabinet

## Cabinets

Description	Size (in.)	Max lbs	Cat. No.
30" Sliding Door Cabinet	28.34 x 14.56 x 15.74	88	89524-594
Divider for Sliding Door Cabinet	9.84 x 7.87	—	89524-590
CD/Folder Box, Attached to Upright Tube	5.11 x 11.41 x 12.99	11	89524-592
30" Overhead "Flipper Door" Cabinet	29.25 x 13 x 15.68	88	89524-606
36" Overhead "Flipper Door" Cabinet	35.37 x 13 x 15.68	88	89524-596
Divider for Overhead "Flipper Door" Cabinet	11.80 x 10.40	—	89524-598



## Bench Drawers

Description	Size (in.)	Max lbs	Cat. No.
Bench Drawer Unit 30/15 w/ 1 - 3.94" Drawer	11.81" x 17.20" x 5.91"	22 lbs/drawer	89524-600
Bench Drawer Unit 30/22 w/ 2 - 3.94" Drawers	11.81" x 17.20" x 8.74"	22 lbs/drawer	89524-602
Bench Drawer Unit 38 w/ 2 - 100% Extendable Drawers	14.96 x 20.47 x 10.23	132 lbs/drawer	89524-604

## Bench Drawer Attachment Brackets

Description	Cat. No.
Drawer Attachment Bracket for 30"D x 48"W Manual C-leg Bench	10820-620
Drawer Attachment Bracket for 30"D x 60"W Manual C-leg Bench	10820-622
Drawer Attachment Bracket for 30"D x 72"W Manual C-leg Bench	10820-624
Drawer Attachment Bracket for 30"D Handcrank C-leg Bench	89524-608
Drawer Attachment Bracket for 36"D Manual/Handcrank C-leg Bench	10746-454
Drawer Attachment Bracket for 30"/36"D Motorized C-leg Bench	89524-610
Drawer Mounting Bracket for 30x48 Four-leg Bench	10611-638
Drawer Mounting Bracket for 30x60 Four-leg Bench	10611-640
Drawer Mounting Bracket for 30x72 Four-leg Bench	10611-642
Drawer Mounting Bracket for Mounting a Second Drawer Unit to Four-leg Bench	10769-372

## VWR® Contour Hanging Cabinets

Description	Dimensions	Cat. No.
VWR 3 Drawer w/Pull Board	18"W x 22"D x 19"H	CFD-5002-B
VWR Base Unit 1 Door w/Pull Board	18"W x 22"D x 19"H	CFC-5032-B
VWR 1 Door LEFT Hinge w/Pull Board	18"W x 22"D x 19"H	CFC-5032-BL
VWR 2 Drawer 1 File Drawer w/Pull Board	18"W x 22"D x 19"H	CFD-5852-B
VWR 3 Drawer	18"W x 22"D x 25"H	CFD-4002-A
VWR 3 Drawer w/Pull Board	18"W x 22"D x 25"H	CFD-4002-B
VWR 1 Door RIGHT Hinge	18"W x 22"D x 25"H	CFC-4032-A
VWR Base Unit 1 Door w/Pull Board	18"W x 22"D x 25"H	CFC-4032-B
VWR 1 Door LEFT Hinge w/Pull Board	18"W x 22"D x 25"H	CFC-4032-BL
VWR 1 Door 1 Drawer	18"W x 22"D x 25"H	CFE-4402-A
VWR 1 Door 1 Drawer LEFT Hinge	18"W x 22"D x 25"H	CFE-4402-L
VWR 1 Door 1 Drawer w/Pull Board	18"W x 22"D x 25"H	CFE-4402-B
VWR Base Unit 1 Door LEFT Hinge 1 Drawer w/Pull Board	18"W x 22"D x 25"H	CFE-4402-BL
VWR 2 File Drawer w/Hangers	18"W x 22"D x 25"H	CFD-4812-A
VWR 2 Drawer 1 File Drawer w/Pull Board	18"W x 22"D x 25"H	CFD-4852-B



Note: When adding cabinets, consider under surface dimensions, found on product specifications pages 18-19.

## Contour Cabinet Attachment Brackets

Description	Cat. No.
Bracket for C-leg Manual 30x48, 36x48	10611-644
Bracket for C-leg Manual 30x60, 36x60	10611-646
Bracket for C-leg Manual 30x72, 36x72	10611-648
Bracket for C-leg Motor 30x48, 36x48	10611-650
Bracket for C-leg Motor 30x60, 36x60	10611-652
Bracket for C-leg Motor 30x72, 36x72	10611-654
Drawer Mounting Bracket for 30x48 Four-leg Bench	10611-638
Drawer Mounting Bracket for 30x60 Four-leg Bench	10611-640
Drawer Mounting Bracket for 30x72 Four-leg Bench	10611-642
Drawer Mounting Bracket for Mounting a Second Contour Cabinet to Four-leg Bench	10769-372

Contour™ cabinets are not able to attach to C-leg Handcrank frames.

## Worktable Frames

- VWR® worktable frame consist of a pair of legs, rear case, and front rail.
- VWR® frames are available in depths: 30" and 36"
- VWR® frames are available in widths: 48", 60" and 72"
- Table frames can be easily equipped with any 12mm stem caster.

## Steel Thickness:

Steels used in the construction of the frames are 12, 14 and 16 gauge CRS steel, except as follows:

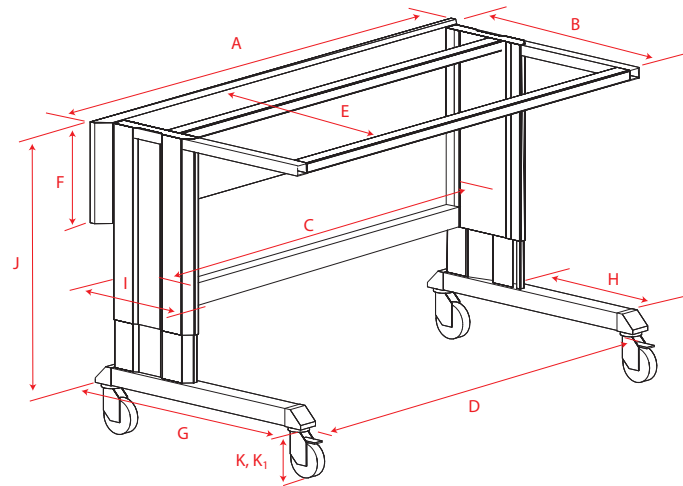
- Leg attachment parts: 7 gauge CRS steel
- Cable rail: 20 gauge CRS steel

## Tools needed for C-leg frame assembly:

- 19 mm wrench
- 13 mm wrench
- 5 mm allen wrench
- #2 Phillips head screwdriver

## C-Leg Manual

- Leg pair can support 1100 lb load, evenly loaded.
- Height adjustment of VWR® worktable frame is 26.62" - 44.34" with table top (¾") and adjustment glide. Height adjustment is made by adjusting telescoping legs and tightening friction screws on the back and sides of the legs.



## Tools needed for Four-leg frame assembly:

- 10 mm wrench
- 8 mm allen wrench

## Recommended table top assembly:

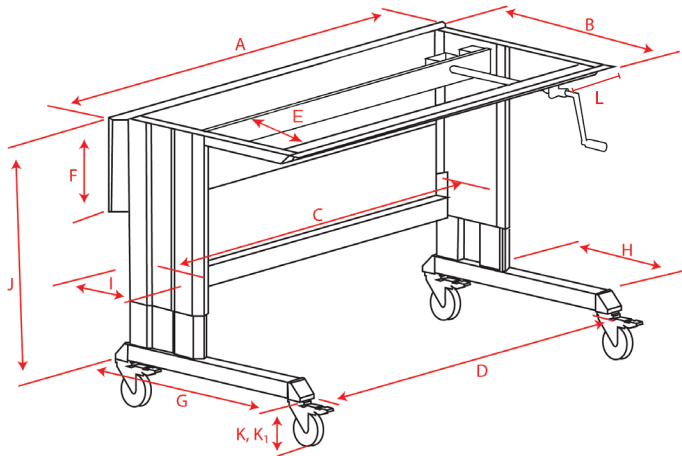
- VWR® laminate tops assembled with wood screws provided
- VWR® phenolic tops can be assembled in 2 ways:
  - Mechanical fasteners (screws) - Pre-drill a pilot hole in the bottom of the work surface, taking care to keep from penetrating through the top. The pre-drilled hole should be the same length as the screw shaft. The screw should be slightly larger in diameter than the pilot hole. Use a coarse threaded screw, wood or machine.
  - Adhesive - Use 100% silicon. Apply several "spots" or a continuous bead to the top of the table frame. Position the work surface as centered on the frame and let cure for 12 hrs at room temp.

	30" x 48"	36" x 48"	30" x 60"	36" x 60"	30" x 72"	36" x 72"
A	47.24"	47.24"	59.06"	59.06"	70.86"	70.86"
B	29.07"	35.09"	29.07"	35.09"	29.07"	35.09"
C	40.78"	40.78"	52.60"	52.60"	64.41"	64.41"
D	40.11"	40.11"	51.93"	51.93"	63.74"	63.74"
E	22.93"	28.88"	22.93"	28.88"	22.93"	28.88"
F	11.43"	11.43"	11.43"	11.43"	11.43"	11.43"
G	29.52"	29.52"	29.52"	29.52"	29.52"	29.52"
H	17.57"	17.57"	17.57"	17.57"	17.57"	17.57"
I	11.12"	11.12"	11.12"	11.12"	11.12"	11.12"
J	26.82-44.34"	26.82-44.34"	26.82-44.34"	26.82-44.34"	26.82-44.34"	26.82-44.34"
K	5.5"	5.5"	5.5"	5.5"	5.5"	5.5"
*K1	2.87"	2.87"	2.87"	2.87"	2.87"	2.87"

\*K1 - low profile caster option

## C-Leg Handcrank

- Pair of legs of crank frame can support 440 lbs dynamic load, and 1100 lbs static load, evenly loaded.
- VWR® frames are available in depths: 30" and 36"
- VWR® frames are available in widths: 48", 60" and 72"
- Height adjustment of crank frame is 27.4"-41.2" with table top (¾").



- The crank handle can be installed on the left or right side of the frame. Standard table configuration is right-hand crank.
- Height adjustment change one inch per each full rotation of the crank handle.
- The crank folds away under the frame when not in use.

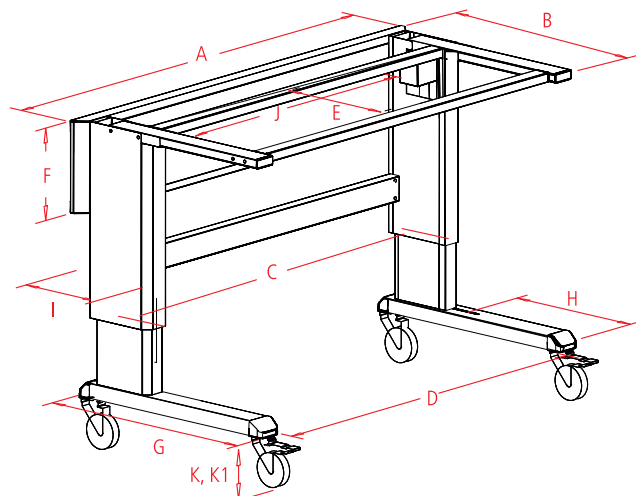
	30" x 48"	36" x 48"	30" x 60"	36" x 60"	30" x 72"	36" x 72"
A	47.24"	47.24"	59.06"	59.06"	70.86"	70.86"
B	29.07"	35.09"	29.07"	35.09"	29.07"	35.09"
C	40.78"	40.78"	52.60"	52.60"	64.41"	64.41"
D	40.11"	40.11"	51.93"	51.93"	63.74"	63.74"
E	16.44"	16.44"	16.44"	16.44"	16.44"	16.44"
F	11.43"	11.43"	11.43"	11.43"	11.43"	11.43"
G	29.52"	29.52"	29.52"	29.52"	29.52"	29.52"
H	18.28"	18.28"	18.28"	18.28"	18.28"	18.28"
I	9.26"	9.26"	9.26"	9.26"	9.26"	9.26"
J	26.82-40.60"	26.82-40.60"	26.82-40.60"	26.82-40.60"	26.82-40.60"	26.82-40.60"
K	5.5"	5.5"	5.5"	5.5"	5.5"	5.5"
*K <sub>1</sub>	2.87"	2.87"	2.87"	2.87"	2.87"	2.87"
L	8.06"	8.06"	8.06"	8.06"	8.06"	8.06"

\*K<sub>1</sub> - low profile caster option

## C-Leg Motorized

- Leg pair of VWR® motorized frame can support a static load of 1100 lbs, evenly loaded on a worktop and a dynamic load of 660 lbs, evenly loaded.
- VWR® frames are available in depths: 30" and 36"
- VWR® frames are available in widths: 48", 60" and 72"
- Height adjustment range of VWR® motorized frame is 27.80" - 43.55" with table top (¾") and adjustment glides. Adjustment is made with 2 linear actuators, using an up/down memory desk switch.
- The speed of the frame is .70" / sec without load

- The speed of the frame is .59" / sec with load
- The desk switch can be installed on the front, left or right side of frame.
- The desk switch has multi-position memory system to be able to set the frame to three customer based heights and up-down buttons for random settings.
- All units have soft-start and soft-stop circuitry.
- The table can be manually driven over the memory positions.
- Silent operation (45 db (A) DS/EN ISO 3746)
- Capable of operations in ambient temperature 41 to 104° Fahrenheit



	30" x 48"	36" x 48"	30" x 60"	36" x 60"	30" x 72"	36" x 72"
A	47.24"	47.24"	59.06"	59.06"	70.86"	70.86"
B	29.07"	34.57"	29.07"	34.57"	29.07"	34.57"
C	38.12"	38.12"	49.94"	49.94"	61.75"	61.75"
D	40.11"	40.11"	51.93"	51.93"	63.74"	63.74"
E	14.88"	14.88"	14.88"	14.88"	14.88"	14.88"
F	11.43"	11.43"	11.43"	11.43"	11.43"	11.43"
G	29.52"	29.52"	29.52"	29.52"	29.52"	29.52"
H	18.28"	18.28"	18.28"	18.28"	18.28"	18.28"
I	9.26"	9.26"	9.26"	9.26"	9.26"	9.26"
J	31"	31"	43.53"	43.53"	55.33"	55.33"
K	5.5"	5.5"	5.5"	5.5"	5.5"	5.5"
*K <sub>1</sub>	2.87"	2.87"	2.87"	2.87"	2.87"	2.87"

\*K<sub>1</sub> - low profile caster option

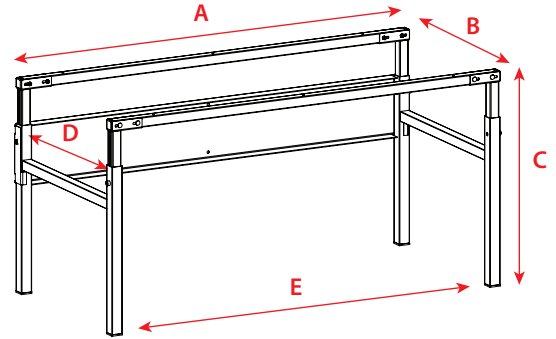
## TP Four-Leg Bench

- VWR® TP worktable frame consist of a pair of legs, rear case, and front rail.
- VWR® TP frames are available in 30" depth.
- VWR® TP frames are available in widths: 48", 60" and 72"
- Table frames can be easily equipped with any 12mm stem caster.
- Weight Capacity: 660 lbs.

### Steel Thickness:

Steel used in the construction of the frames are 12, 14 and 16 gauge CRS steel, except as follows:

- Leg attachment parts: 7 gauge CRS steel
- Cable rail: 20 gauge CRS steel



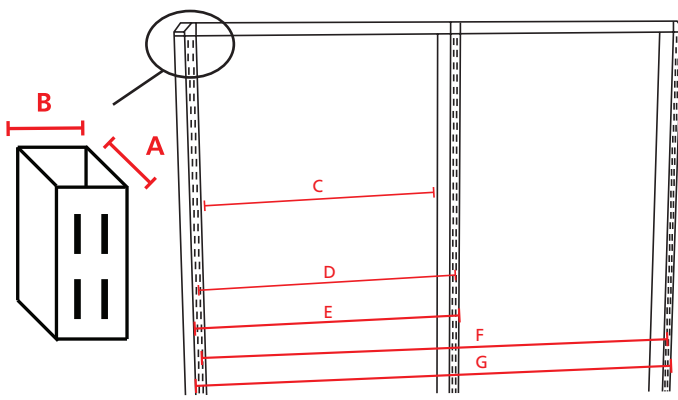
	30" x 48"	30" x 60"	30" x 72"
A	47.2"	59.1"	70.9"
B	27.6"	27.6"	27.6"
C	25.6-35.4"	25.6-35.4"	25.6-35.4"
D	24.4"	24.4"	24.4"

## Slotted Uprights

- Uprights are available in heights: 53.5" and 62.3" (usable height above the work surface is 42.3" and 51.18")
- Depth of the uprights is 2.36".
- Width of the uprights is 1.18".
- Uprights can be attached to each table frame to enable the use of accessories
- Upright module consist of a minimum of 2 uprights, which are installed with the correct spacing for the desired module size (see table).
- Upright modules can easily be extended to create double modules (3 uprights needed).
- Each upright can support loads equal to the maximum load limited by table frame or accessories in use.
- For accessories the height adjustment steps are 1.1".
- Steel Thickness: Steel used in the construction of the upright is 14 gauge CRS steel in light neutral.

	48"	60"	72"	2" x 30"	2" x 36"
A	2.36"	2.36"	2.36"	2.36"	2.36"
B	1.18"	1.18"	1.18"	1.18"	1.18"
C	46.06"	57.87"	69.92"	28.35"	34.37"
D	47.2"	59.1"	71.1"	19.7"	19.7"
E	48.42"	60.23"	72.28"	20.86"	20.86"
F	—	—	—	59.06"	71.11"
G	—	—	—	60.23"	72.28"

Note: Use of uprights adds an additional 2.625" to depth of frame.



## Reagent Rack Hole Mounting Info

