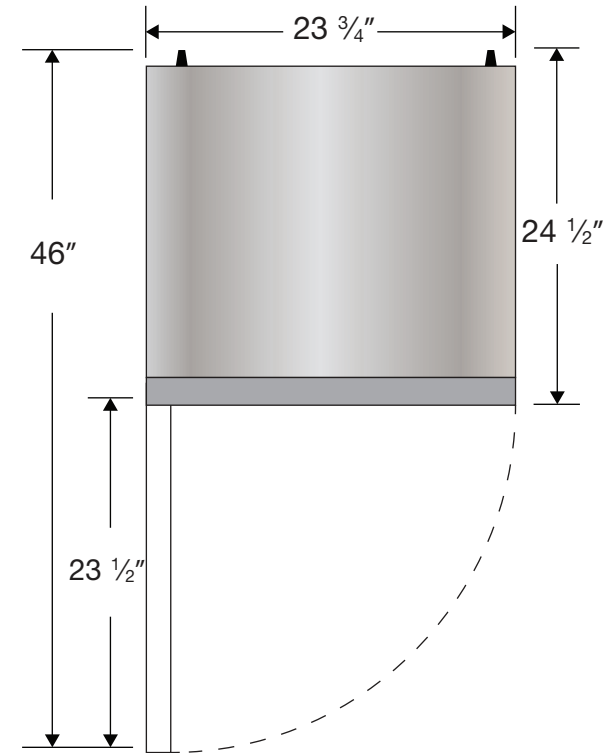
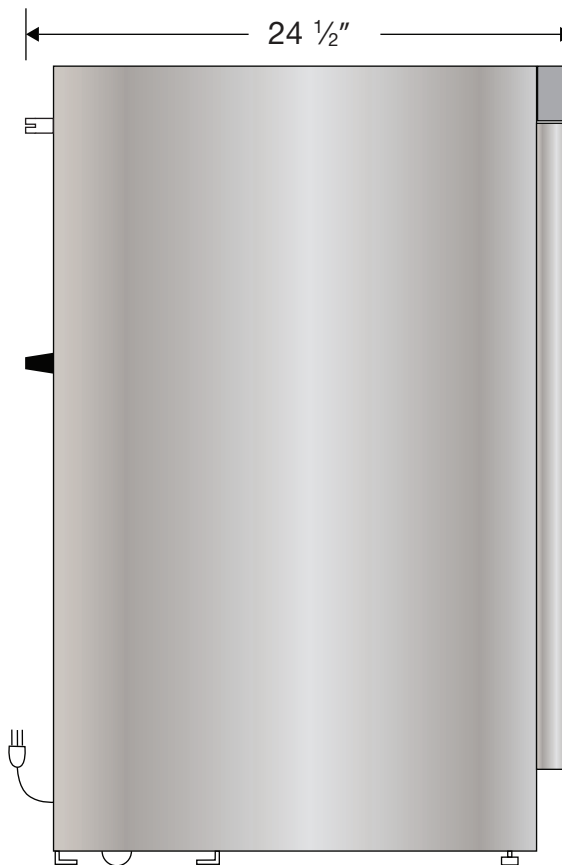
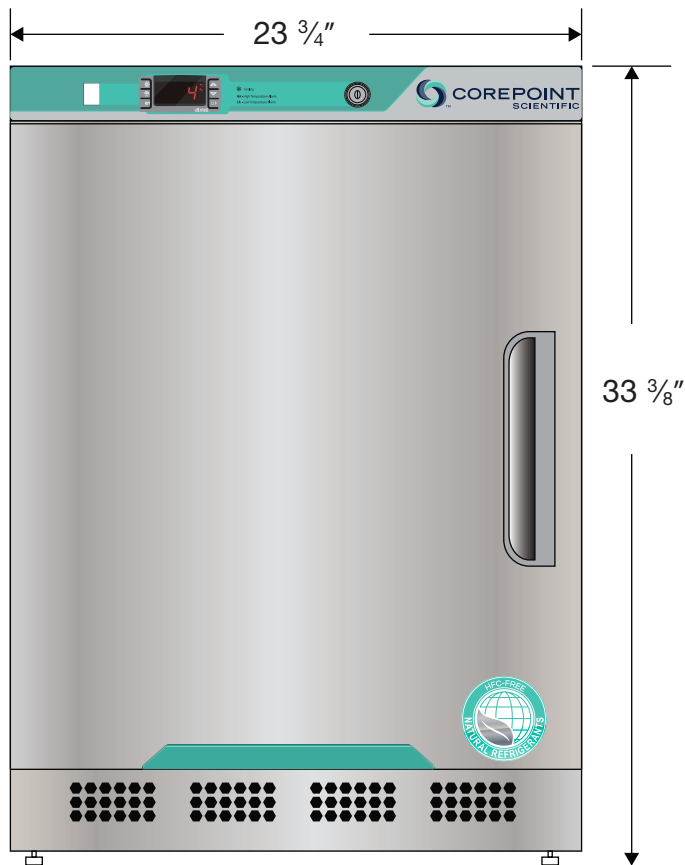



Front View

Side View

Top View



 115VAC/60Hz/1PH
NEMA-5-15P

| Cu. Ft | Defrost | Door | Int Door | Shelves | W" | D" | H" | Refrigerant | H.P. | Amps | Weight |
|--------|---------|------------|----------|----------------|--------|--------|--------|-------------|------|------|----------|
| 4.5 | Cycle | 1 Solid LH | 0 | 2 Adj. /1Fixed | 23 3/4 | 24 1/2 | 33 3/8 | R600a | 1/8 | 1.74 | 100 lbs. |