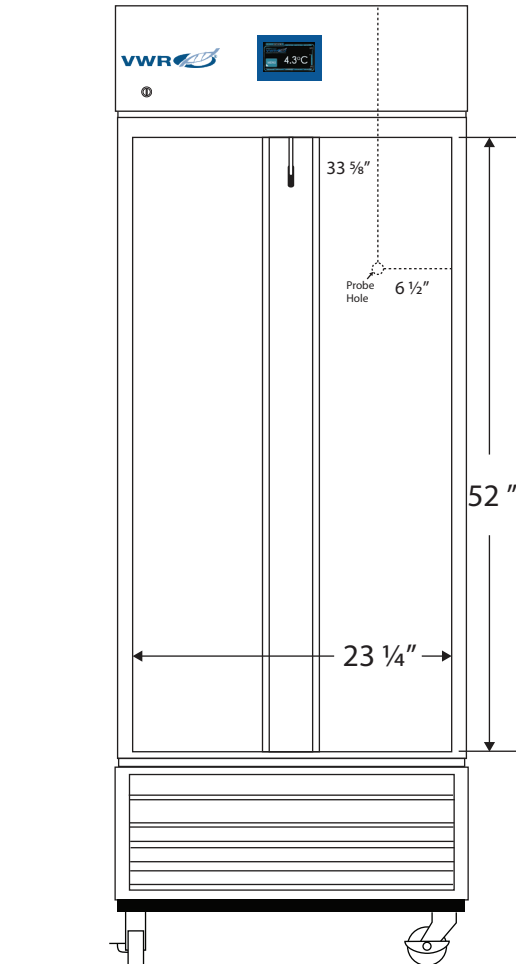
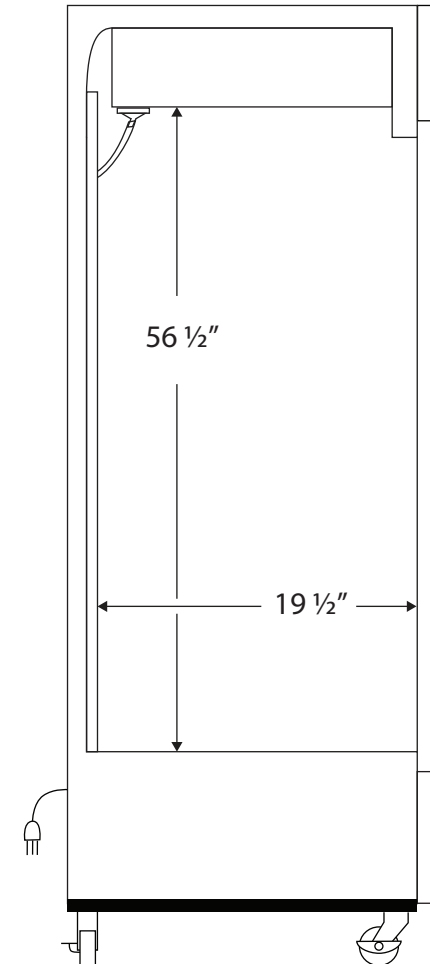


Interior

Front View



Side View


Cat# 76580-154/VWR-HC-19-TS

 115VAC/60Hz/1PH
NEMA-5-15P

Cu.Ft.	Defrost	Door	Int Door	Shelves	Interior Dimensions			Refrigerant	H.P.	Amps	Weight
					W"	D"	H"				
19	Cycle	1 Glass	0	4 Adj	23 1/4	19 1/2	56 1/2	R290	1/3	5.4	255 lbs.

Note: Interior dimensions are estimates and subject to change without notice