

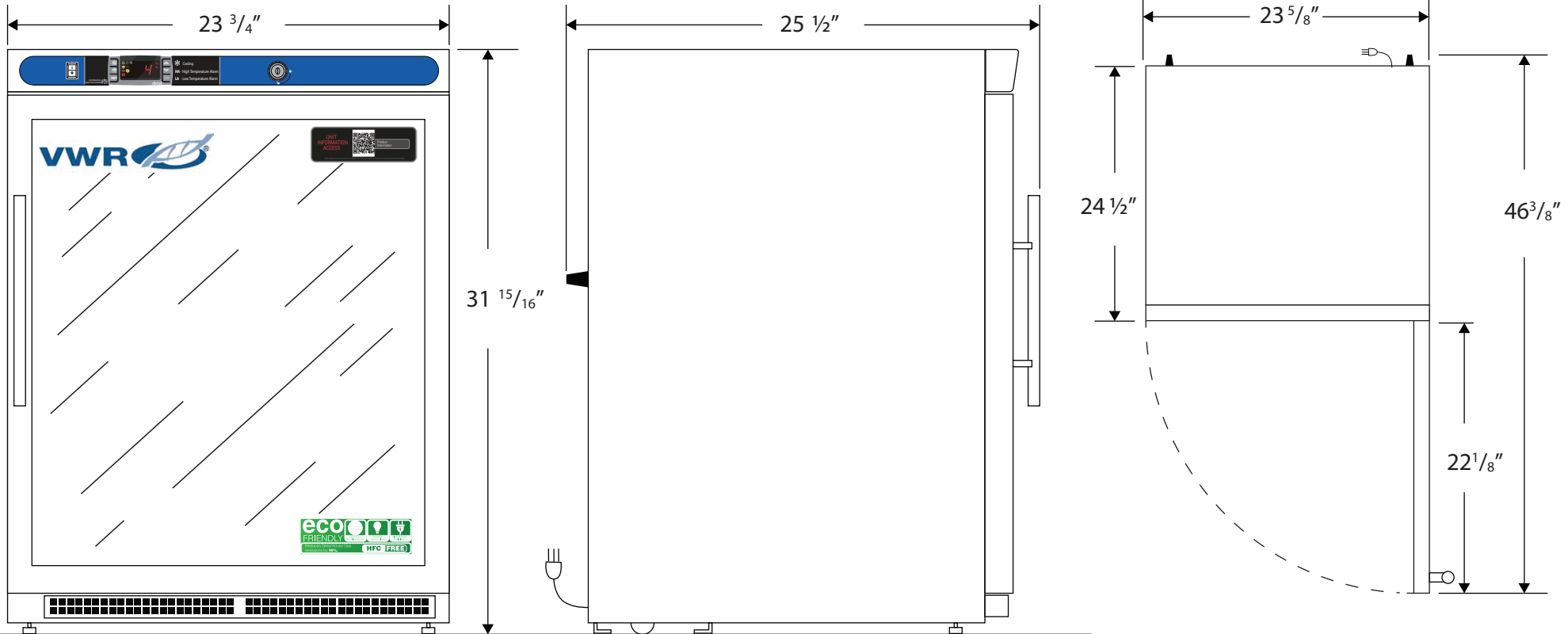
## Exterior



Front View

Side View

Top View



**32" HEIGHT MEETS ADA GUIDELINES**

**Cat# 10819-884/HCUCBI0404AD**

115VAC/60Hz/1PH  
 NEMA-5-15P

Cu.Ft.	Defrost	Door	Int Door	Shelves	W"	D"	H"	Refrigerant	H.P.	Amps	Weight
4.6	Cycle	1 Glass	0	2 Adj/1 Fixed	$23 \frac{3}{4}$	$25 \frac{1}{2}$	$31 \frac{15}{16}$	R600a	$\frac{1}{8}$	1.74	97 lbs.