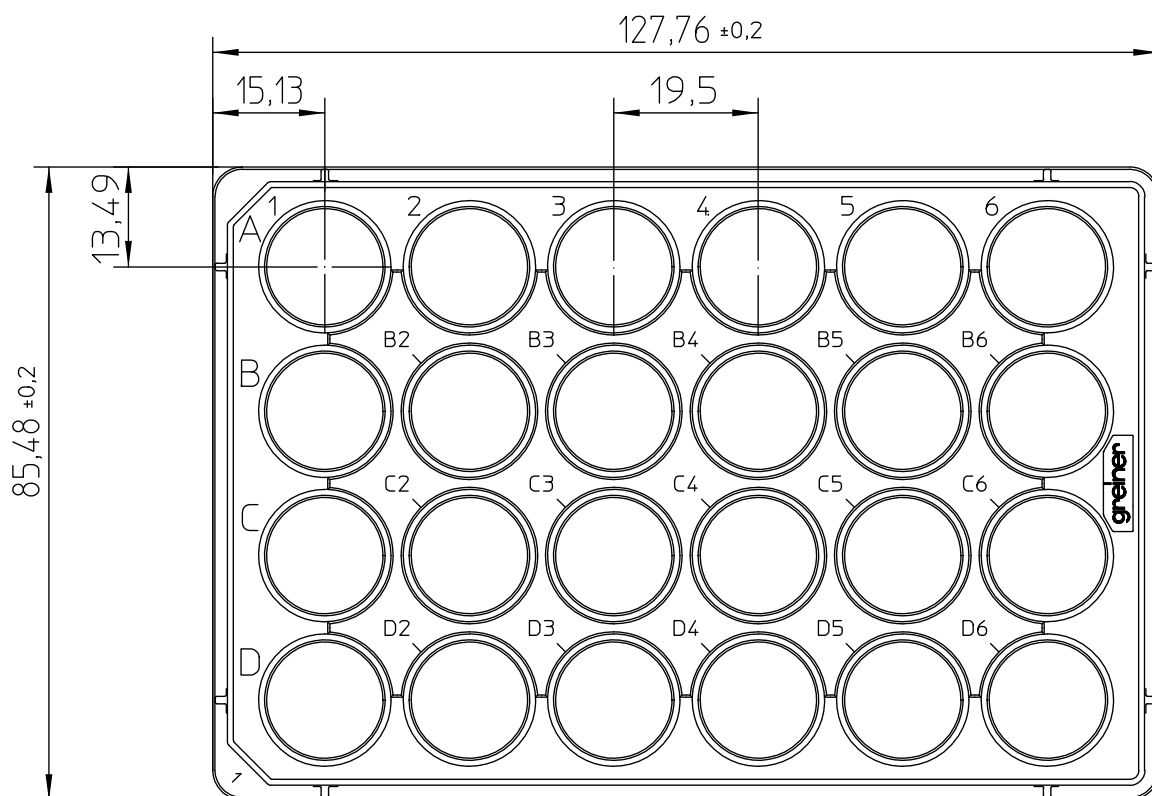
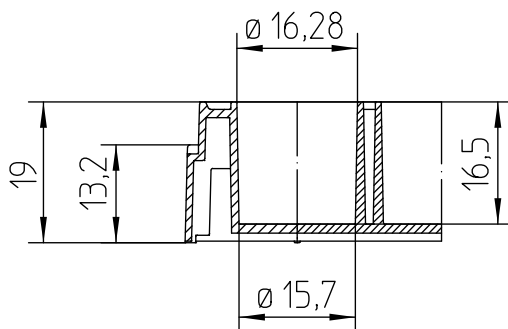




Valid for Item-No.: 662102, 662160,



"All dimensions in mm"

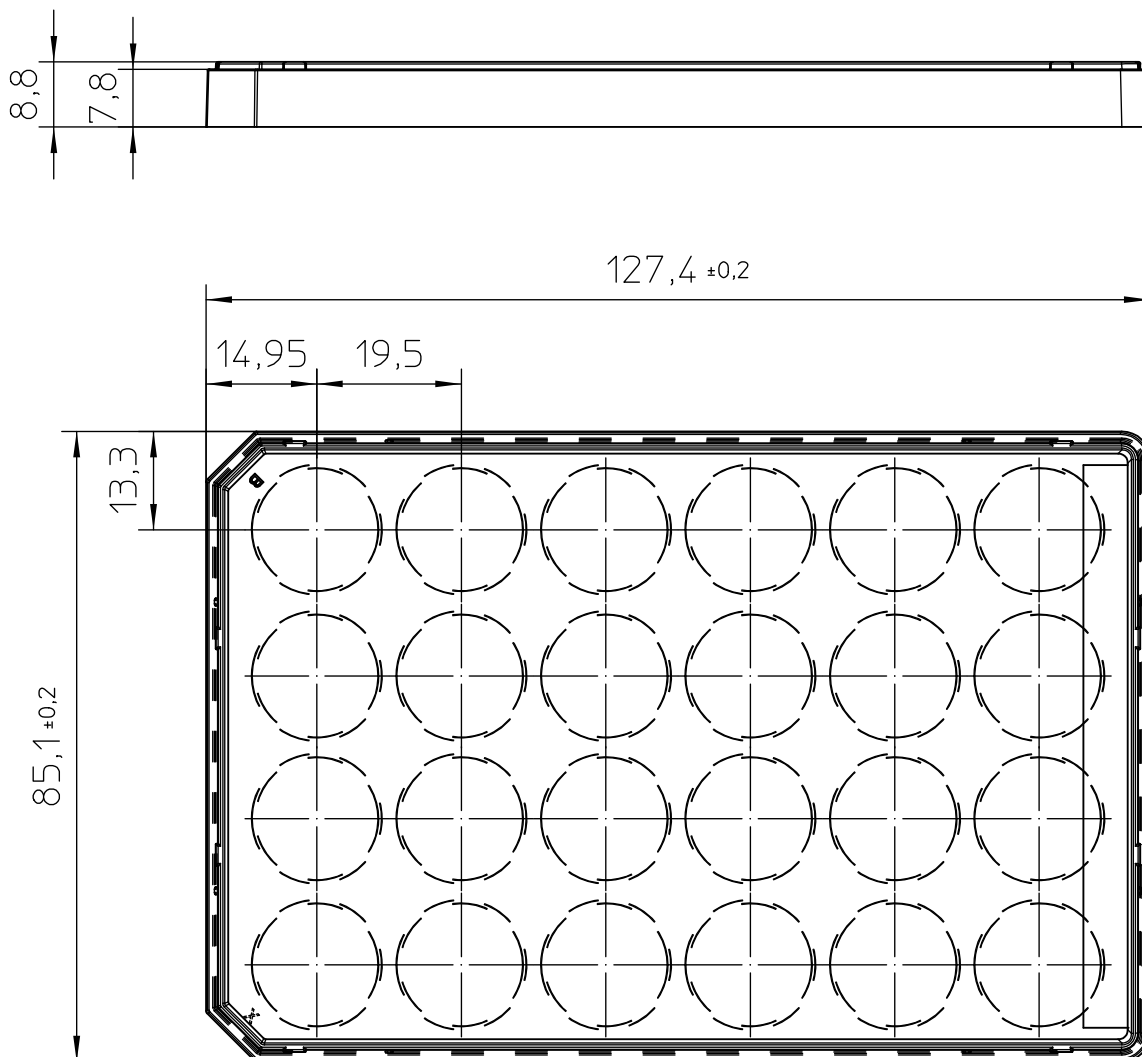
Customer drawing subject to change without notice!

Uncontrolled Copy

Prior Issue	Drawn	Approved	Released	CONFIDENTIAL: Information contained in this document or drawing is confidential and proprietary to Greiner Bio-One GmbH. This document may not be reproduced for any reason without written permission from Greiner Bio-One GmbH. All rights of design, invention, and copyright are reserved.
Revision 2	Date 2011/04/18	Date 2013/07/08	Date 2013/07/08	
Date 2012/03/15	Name falter	Name kessler	Name sonntag	



Valid for Item-No.: 662102, 662160,



"All dimensions in mm"

Customer drawing subject to change without notice!

Uncontrolled Copy

Prior Issue	Drawn	Approved	Released	CONFIDENTIAL: Information contained in this document or drawing is confidential and proprietary to Greiner Bio-One GmbH. This document may not be reproduced for any reason without written permission from Greiner Bio-One GmbH. All rights of design, invention, and copyright are reserved.
Revision 2	Date 2011/04/18	Date 2013/07/08	Date 2013/07/08	
Date 2012/03/15	Name falter	Name kessler	Name sonntag	