



Discover
revolve
The world's first hybrid microscope

A REVOLUTION HAS BEGUN

When we set out to build the Revolve, we considered every element that defines a world class microscope: Image Quality, Performance, Versatility, and Ease of Use.

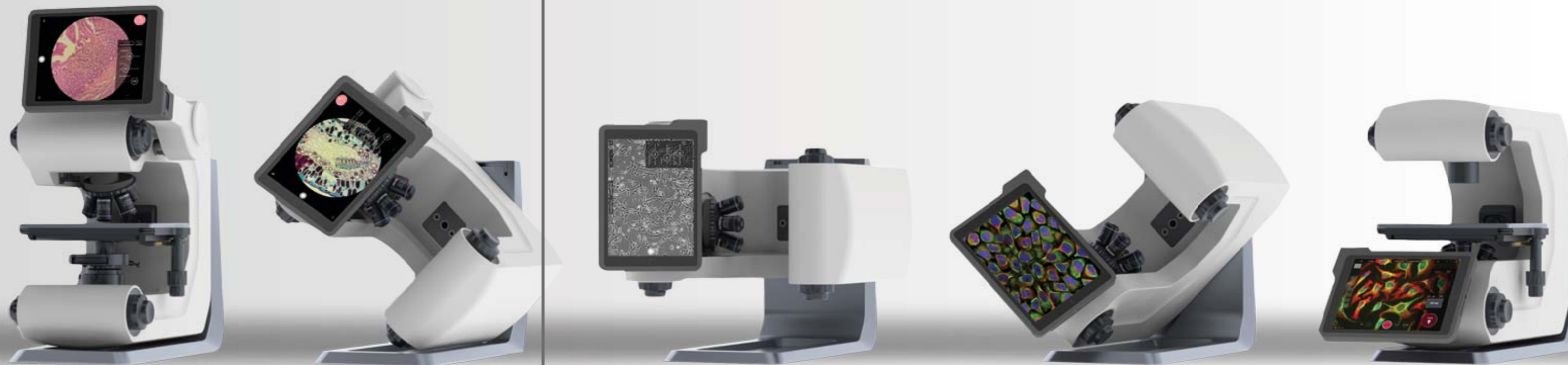
As it came together, the result was something entirely new. Something radically different from anything before it – an instrument that will change the way you view science.



DISCOVERY REVOLVES AROUND YOU

Despite sharing many optical components, conventional microscopes have always existed in two configurations: Upright or Inverted.

The idea behind Revolve was simple - create a single platform that can be used for both. For the first time, labs no longer have to choose between one system or the other, and users can quickly tailor their microscope to suit their specific needs.



EASY TO USE.

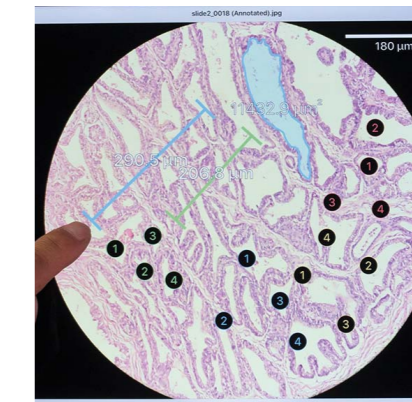
The Revolve is incredibly easy to use. You'll feel and appreciate the difference of using a familiar interface with responsive touch control.

Forget the learning curve. No longer are years of training and experience required to drive your microscope. The Revolve enables you to view and capture crystal clear publication quality images with ease.



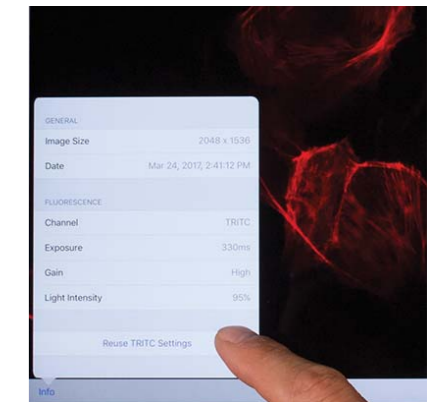
RESPONSIVE

Touchscreen functions drive cameras and illumination, replacing manual turrets and levers



ANNOTATIONS

No more clicking. Tap to count cells. Draw lines and regions to measure.



REPEAT

Restore settings from previously captured images to accurately reproduce your experiments



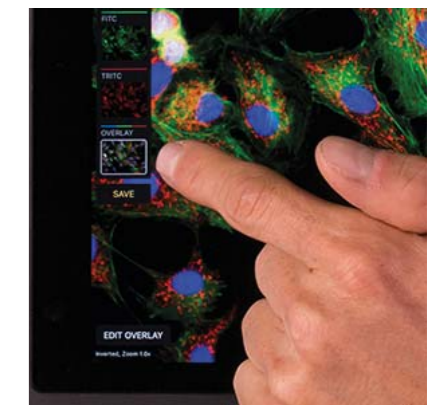
SHARE DATA

Share findings in seconds with Dropbox™, AirDrop®, USB, and other iOS file sharing options



PINCH TO ZOOM

Intuitive touch screen actions such as Pinch to Zoom are integrated into the Echo App



OVERLAY

Capture and visualize overlays in seconds with a touch screen interface and motorized LED fluorescence

CONFIGURATIONS

Upright

Ideal for viewing glass slides.
Clean approach to oil immersion applications.
Useful for Water Dipping applications.
Use with optional high resolution condenser.

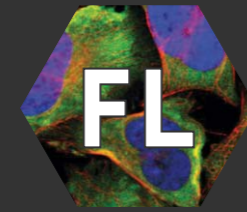
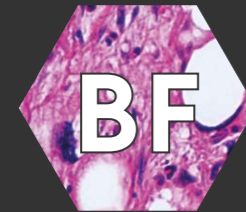


Inverted

Designed for viewing live samples in fluidic chambers such as dishes and well plates.
Allows for easier manipulation of samples.
Ideal for Long Working Distance applications.

Brightfield

Stunning detail. Perfect color.
12 MP color camera.
HD video, 120 fps.

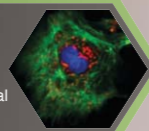


Fluorescence

Exceptional performance.
No Darkroom required.
3.2 MP monochrome CMOS Camera.

Image Quality
Seeing
is Believing.

RETINA DISPLAY
High pixel density for viewing brilliant crystal clear images



CHROMA
Sputter coated filter sets by Chroma® used for ultra-high throughput



PHASE CONTRAST
Contrast enhancing technique to view transparent samples



DUAL CAMERA
Can accommodate two separate cameras for BF and FL Imaging

MOTORIZED LED FLUORESCENCE
• Ultra Bright Intensity
• Long Term Stability
• Mercury-free

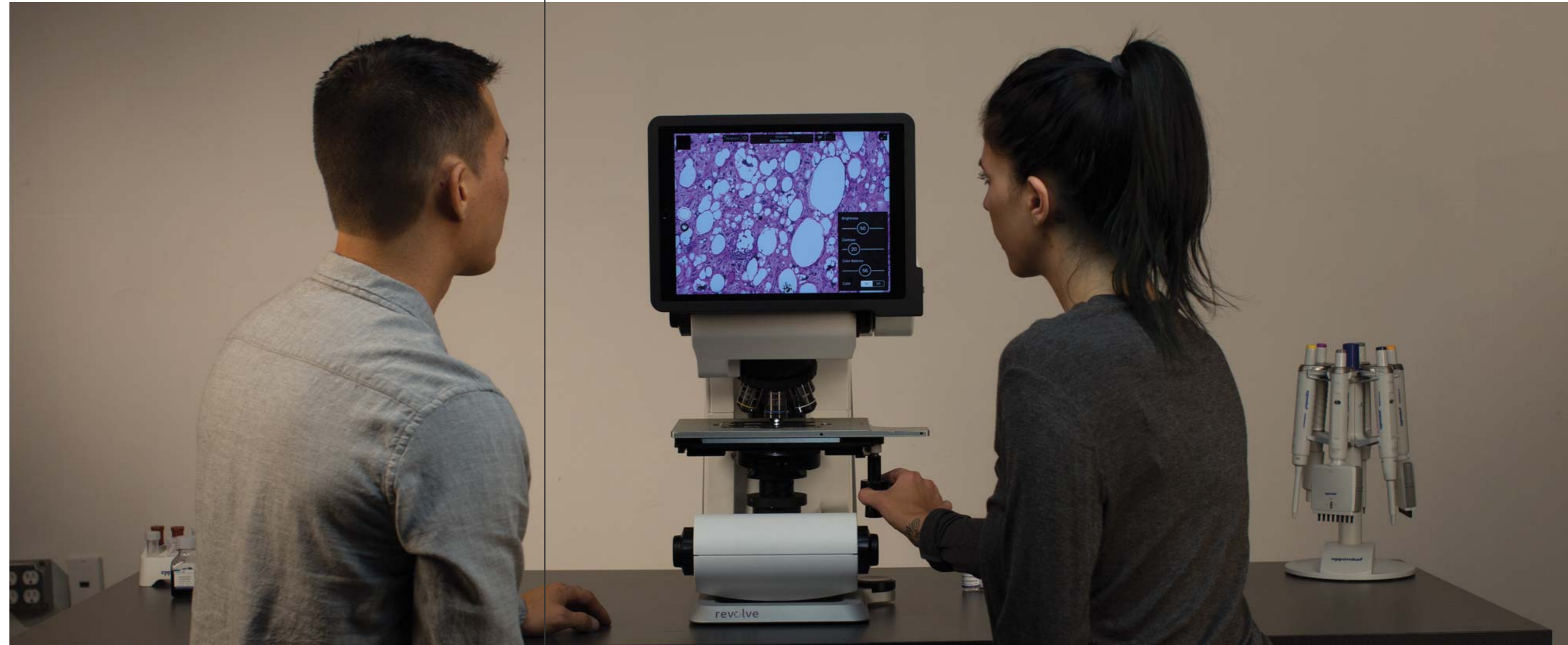
OLYMPUS
Revolve offers the full portfolio of Olympus® objective lenses

PRECISION XY STAGE CONTROL
Proprietary gearless design enables smooth precise motion control

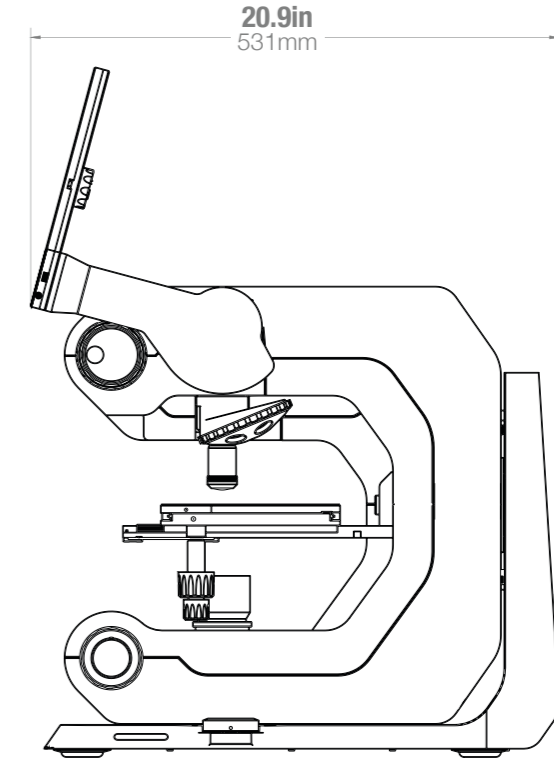
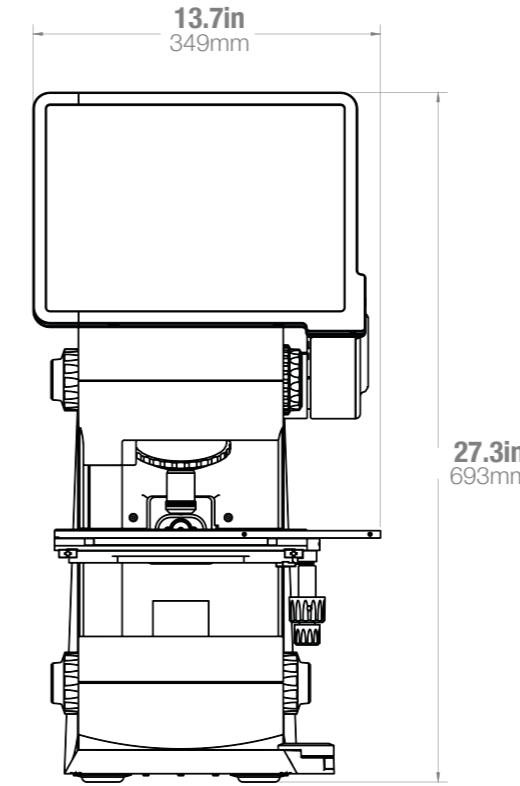
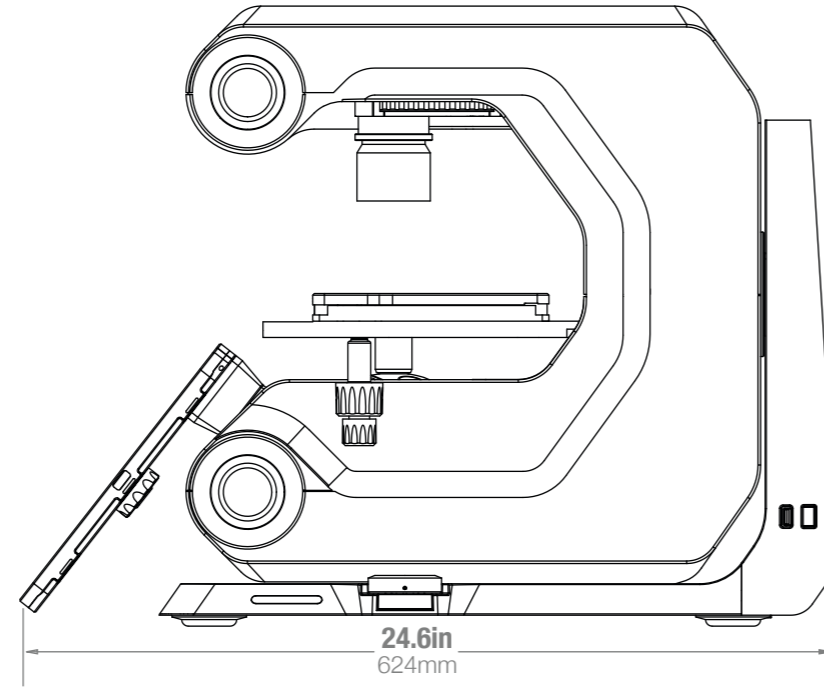
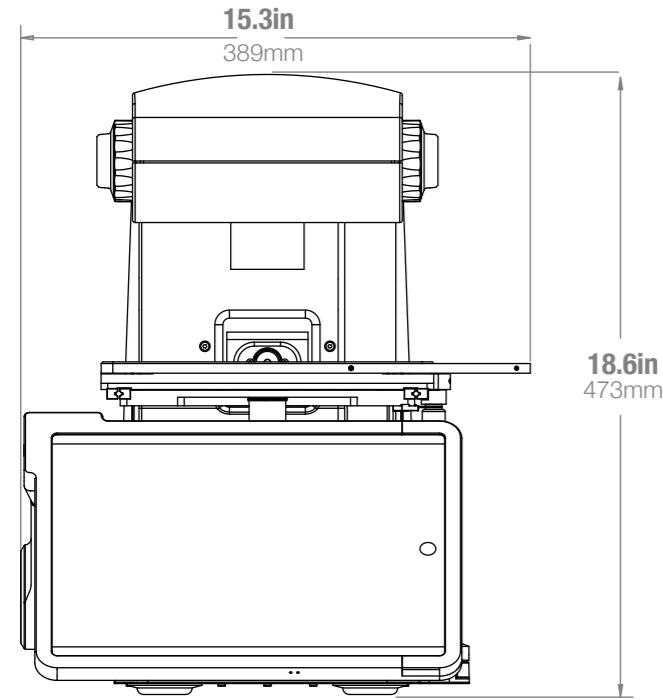


A NEW VISION

Microscopy shouldn't be limited to a single pair of eyes. We've replaced the traditional eyepieces with a more modern approach, the iPad Pro®.



PRODUCT SPECIFICATIONS



POWER

Voltage Input: 100 ~ 240 VAC (50/60Hz)
Voltage Output: 12V
Current Output (Max): 4.17A
Power: 50W

STAND

UPRIGHT and INVERTED observation modes
 4 accessible focus knobs for Upright and Inverted configurations
 Repeatable camera and LED light settings
 Anti-Shake feature:
 Leverages built in accelerometer to minimize the effect of external vibrations prior to image capture

SOFTWARE

Touch interface for microscope and camera control
 Measurement annotations: Length, Area, Cell Count, Scale Bar
 Touch-based cell counting tool (up to 6 different cell types)
 Customizable image overlay tools
 Downloads and updates available via App Store

OPTICS

Optical components by Olympus®
 1.25x – 100x (dry and immersion available)
 Plan Achromat, Plan Fluorite, and Plan Apochromat options
 Brightfield, Darkfield, Phase Contrast, and Fluorescence capabilities
 Extra Long Working Distance (ELWD) condenser available
 High Resolution (High N.A.) condenser available

MOTORIZED EPI-FLUORESCENCE TURRET

Ultra-bright LEDs with 50,000-hour lifespan
 Mercury-Free Illumination
 Outstanding long-term stability with precise illumination control
 5 Imaging Channels
 • 4 Epi-Fluorescence + 1 Transmitted Light
 Sample Protect Mode – Allows the user to control sample's exposure to excitation light

CAMERAS

Brightfield
 • 12MP CMOS Color camera
Fluorescence
 • 3.2MP CMOS Monochrome camera
 • 2048 x 1536 (Pixel size: 3.45um)

DISPLAY

12.9" Retina® Display
 2732 x 2048 (264 pixels/inch)
 Full Circular FOV (field of view) as seen through conventional eyepieces
 Touchscreen interface

DATA TRANSFER

USB
 AirDrop® (iOS and Mac)
 Seamless integration with file sharing and cloud storage apps (Dropbox™)

SPECIFICATION

	Description	Supplier No.	VWR Catalog Number	Unit	Price
REVOLVE	GSA REVOLVE4 Upright (Inverted, Brightfield, Fluorescent Microscope)	FJSD1001	75990-514	Each	\$26,780.00
	GSA REVOLVE3 Upright (Inverted, Brightfield Microscope)	BJSD1000	75990-512	Each	\$18,025.00
Stage Inserts	GSA Stage Insert, Glass Slides	HLDR0002	75990-692	Each	\$115.00
	GSA Stage Insert, Hemocytometer	HLDR0006	75990-700	Each	\$115.00
	GSA Stage Insert, Petri Dish, 100 mm	HLDR0005	75990-698	Each	\$115.00
	GSA Stage Insert, Petri Dish, 35 mm	HLDR0003	75990-694	Each	\$115.00
	GSA Stage Insert, Petri Dish, 60 mm	HLDR0004	75990-696	Each	\$115.00
	GSA Stage Insert, Universal	HLDR0001	75990-690	Each	\$115.00
Condensers	GSA ELWD Universal Condenser (WD 73mm, Av .30 NA)	JCND0001	75990-686	Each	\$1,350.00
	GSA High Resolution Universal Condenser (WD 7mm, Av .85 NA)	JCND0002	75990-688	Each	\$2,100.00
LED Light Cubes	GSA Fluorescence Filter Set, LED Light Cubes (ALEXA 594)	CUBE0006	75990-712	Each	\$2,400.00
	GSA Fluorescence Filter Set, LED Light Cubes (Custom)	CUBE1000	75990-714	Each	\$4,000.00
	GSA Fluorescence Filter Set, LED Light Cubes (CY5)	CUBE0005	75990-710	Each	\$2,400.00
	GSA Fluorescence Filter Set, LED Light Cubes (DAPI)	CUBE0001	75990-702	Each	\$2,400.00
	GSA Fluorescence Filter Set, LED Light Cubes (FITC)	CUBE0002	75990-704	Each	\$2,400.00
	GSA Fluorescence Filter Set, LED Light Cubes (TRITC)	CUBE0003	75990-706	Each	\$2,400.00
	GSA Fluorescence Filter Set, LED Light Cubes (TXRED)	CUBE0004	75990-708	Each	\$2,400.00



Achromat

Description	Magnification	WD	NA	Supplier No.	VWR Catalog Number	Unit	Price
GSA Objective	2x	5.8 mm	.06 NA	JMAG0021	75992-484	Each	\$595.00
GSA Objective	4x	18.5 mm	.10 NA	JMAG0044	75992-492	Each	\$98.00
GSA Objective	10x	10.6 mm	.25 NA	JMAG0104	75990-632	Each	\$155.00
GSA Phase Objective	10x	10.6 mm	.25 NA	JMAG0105	75990-634	Each	\$310.00
GSA ELWD Phase Objective	10x	10 mm	.25 NA	JMAG0106	75990-636	Each	\$465.00
GSA Objective	20x	1.2 mm	.40 NA	JMAG0206	75990-648	Each	\$260.00
GSA Phase Objective	20x	1.2 mm	.40 NA	JMAG0207	75990-650	Each	\$415.00
GSA SLWD Objective	20x	25 mm	.25 NA	JMAG0208	75990-652	Each	\$2,450.00
GSA ELWD Phase Objective	20x	3.2 mm	.40 NA	JMAG0209	75990-654	Each	\$530.00
GSA Objective	40x	.6 mm	.65 NA	JMAG0407	75990-668	Each	\$360.00
GSA Phase Objective	40x	.6 mm	.65 NA	JMAG0408	75990-670	Each	\$525.00
GSA ELWD Phase Objective	40x	2.2 mm	.55 NA	JMAG0409	75990-672	Each	\$1,110.00
GSA Objective	60x	.17 mm	.80 NA	JMAG0608	75990-522	Each	\$525.00
GSA Oil Objective	100x	0.15 mm	1.25 NA	JMAG1005	75990-682	Each	\$515.00
GSA Oil Phase Objective	100x	0.15 mm	1.25 NA	JMAG1006	75990-684	Each	\$775.00

Apochromat

Description	Magnification	WD	NA	Supplier No.	VWR Catalog Number	Unit	Price
GSA Objective	1.25x	5 mm	.04 NA	JMAG0011	75992-480	Each	\$1,800.00
GSA Objective	2x	6.2 mm	.08 NA	JMAG0020	75992-482	Each	\$1,470.00
GSA Objective	4x	13 mm	.16 NA	JMAG0041	75990-486	Each	\$1,725.00
GSA Objective	10x	3.1 mm	.40 NA	JMAG0101	75990-626	Each	\$2,380.00
GSA Objective	20x	0.6 mm	.75 NA	JMAG0201	75990-638	Each	\$2,575.00
GSA Objective	40x	.18 mm	.95 NA	JMAG0402	75990-658	Each	\$4,045.00
GSA Oil Objective	60x	.15 mm	1.42 NA	JMAG0601	75990-674	Each	\$6,130.00
GSA Oil Phase Objective	60x	.15 mm	1.42 NA	JMAG0602	75990-676	Each	\$6,140.00
GSA Oil Objective	60x	.15 mm	1.35 NA	JMAG0603	75990-678	Each	\$5,375.00
GSA Oil Objective	100x	.13 mm	1.40 NA	JMAG1001	75990-524	Each	\$6,540.00
GSA Oil Phase Objective	100x	.13 mm	1.40 NA	JMAG1002	75990-526	Each	\$5,050.00

OBJECTIVE LENSES

Fluorite

Description	Magnification	WD	NA	Supplier No.	VWR Catalog Number	Unit	Price
GSA Objective	4x	17 mm	.13 NA	JMAG0042	75992-488	Each	\$465.00
GSA Phase Objective	4x	17 mm	.13 NA	JMAG0043	75992-490	Each	\$660.00
GSA Objective	10x	10 mm	.30 NA	JMAG0102	75990-628	Each	\$825.00
GSA Phase Objective	10x	10 mm	.30 NA	JMAG0103	75990-630	Each	\$1,175.00
GSA ELWD Objective	20x	6.6-7.8 mm	.45 NA	JMAG0202	75990-640	Each	\$1,530.00
GSA ELWD Phase Objective	20x	6.6-7.8mm	.45 NA	JMAG0203	75990-642	Each	\$1,530.00
GSA Objective	20x	2.1 mm	.50 NA	JMAG0204	75990-644	Each	\$980.00
GSA Phase Objective	20x	2.1 mm	.50 NA	JMAG0205	75990-646	Each	\$1,315.00
GSA Oil Objective	40x	.2 mm	1.30 NA	JMAG0401	75990-656	Each	\$4,685.00
GSA ELWD Objective	40x	2.7-4 mm	.60 NA	JMAG0403	75990-660	Each	\$2,190.00
GSA ELWD Phase Objective	40x	3-4.2 mm	.60 NA	JMAG0404	75990-662	Each	\$2,205.00
GSA Objective	40x	.51 mm	.75 NA	JMAG0405	75990-664	Each	\$1,072.00
GSA Phase Objective	40x	.51 mm	.75 NA	JMAG0406	75990-666	Each	\$1,520.00
GSA ELWD Objective	60x	1.5-2.2 mm	.70 NA	JMAG0604	75990-680	Each	\$5,070.00
GSA ELWD Phase Objective	60x	1.5-2.2 mm	.70 NA	JMAG0605	75990-516	Each	\$5,070.00
GSA Oil Objective	60x	.12 mm	1.25-0.65 NA	JMAG0606	75990-518	Each	\$3,040.00
GSA Oil Phase Objective	60x	.12 mm	1.25-0.65 NA	JMAG0607	75990-520	Each	\$3,250.00
GSA Oil Objective	100x	.2 mm	1.30 NA	JMAG1003	75990-528	Each	\$2,215.00
GSA Oil Phase Objective	100x	.2 mm	1.30 NA	JMAG1004	75990-530	Each	\$3,165.00

VWR  **1.800.932.5000**
We Enable Science **vwr.com**

Prices and product details are current when published; subject to change without notice. | Certain products may be limited by federal, state, provincial, or local regulations. | VWR makes no claims or warranties concerning sustainable/green products. Any claims concerning sustainable/green products are the sole claims of the manufacturer and not those of VWR International, LLC. All prices are in US dollars unless otherwise noted. Offers valid in US and Canada, void where prohibited by law or company policy, while supplies last. | VWR, the VWR logo and variations on the foregoing are registered (®) or unregistered trademarks and service marks, of VWR International, LLC and its related companies. All other marks referenced are registered by their respective owner(s). | Visit vwr.com to view our privacy policy, trademark owners and additional disclaimers. ©2018 VWR International, LLC. All rights reserved.

0618 Lit. No. 050031W