



VWR® Disposable Microcentrifuge Tubes

Description: Micro Centrifuge Tubes with caps, Conical-Bottom, Sterile/Non-Sterile

Purpose: Used for sample storage, operation and centrifugation

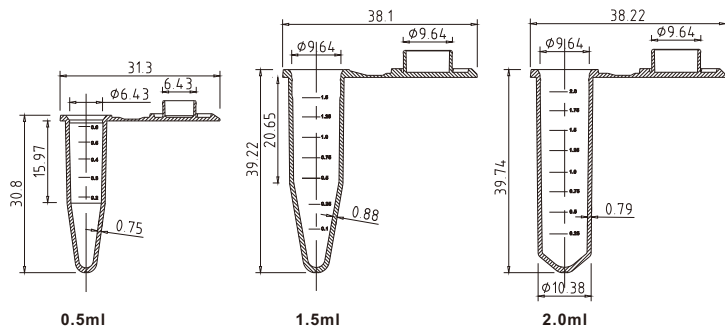
Materials

Tube/Cap: PP (Polypropylene), Compliance with USP Class VI

Features

- Made from high grade gamma resistance polypropylene
- Autoclavable at 121°C and freezable to -80°C
- Engraved graduation ensure accuracy
- Flat and frost caps surface together with smooth and frosted body surface
- Provide easy and legible mark area
- Meet the requirements of BSE/TSE
- Latex Statement: This product is latex free
- Non-pyrogenic: The acceptance level for product is 0.05 EU/ml. (Tachypleus Amebocyte Lysate (TAL) Clot-gel test)
- Meet the requirements of RoHS
- DNase/RNase-free
- Assorted pack contains 5 colors of red, orange, yellow, green and blue
- Sterilized by irradiation SAL10⁶ (ISO11137)
- Shelf life: 3 years after month of production
- Manufactured in a Class 100,000 cleanroom environment
- Manufactured under ISO13485 and ISO9001 quality management system

Dimensions (Unit:mm)



STERILE | R

VWR® Disposable Microcentrifuge Tubes

VWR EU EAN. No.	VWR NA Cat. No.	Capacity (ml)	Maximum RCF	Tube Shape	Tube Color	Graduation	Sterilization	Packaging Configuration
525-1220	89000-010	0.5ml	20,000g	Conical-Bottom	Natural	Yes	No	1000/PK, 10000/CS
525-1246	89000-012	0.5ml	20,000g	Conical-Bottom	Amber	Yes	No	1000/PK, 10000/CS
525-1247	89000-014	0.5ml	20,000g	Conical-Bottom	Yellow	Yes	No	1000/PK, 10000/CS
525-1248	89000-016	0.5ml	20,000g	Conical-Bottom	Orange	Yes	No	1000/PK, 10000/CS
525-1221	89000-018	0.5ml	20,000g	Conical-Bottom	Red	Yes	No	1000/PK, 10000/CS
525-1249	89000-020	0.5ml	20,000g	Conical-Bottom	Purple	Yes	No	1000/PK, 10000/CS
525-1250	89000-022	0.5ml	20,000g	Conical-Bottom	Blue	Yes	No	1000/PK, 10000/CS
525-1251	89000-024	0.5ml	20,000g	Conical-Bottom	Green	Yes	No	1000/PK, 10000/CS
525-1222	89000-026	0.5ml	20,000g	Conical-Bottom	Assorted	Yes	No	200/Bag/Color, 1000/PK, 10000/CS
525-1126	89000-028	1.5ml	20,000g	Conical-Bottom	Natural	Yes	No	500/PK, 5000/CS
525-1223	89000-030	1.5ml	20,000g	Conical-Bottom	Amber	Yes	No	500/PK, 5000/CS
525-1224	89000-032	1.5ml	20,000g	Conical-Bottom	Yellow	Yes	No	500/PK, 5000/CS
525-1225	89000-034	1.5ml	20,000g	Conical-Bottom	Orange	Yes	No	500/PK, 5000/CS
525-1226	89000-036	1.5ml	20,000g	Conical-Bottom	Red	Yes	No	500/PK, 5000/CS
525-1227	89000-038	1.5ml	20,000g	Conical-Bottom	Purple	Yes	No	500/PK, 5000/CS
525-1228	89000-040	1.5ml	20,000g	Conical-Bottom	Blue	Yes	No	500/PK, 5000/CS
525-1229	89000-042	1.5ml	20,000g	Conical-Bottom	Green	Yes	No	500/PK, 5000/CS
525-1230	89000-044	1.5ml	20,000g	Conical-Bottom	Assorted	Yes	No	100/Bag/Color, 500/PK, 5000/CS
525-1127	20170-084	2.0ml	20,000g	Conical-Bottom	Amber	Yes	No	500/PK, 5000/CS
525-1128	20170-086	2.0ml	20,000g	Conical-Bottom	Yellow	Yes	No	500/PK, 5000/CS
525-1129	20170-088	2.0ml	20,000g	Conical-Bottom	Orange	Yes	No	500/PK, 5000/CS
525-1130	20170-090	2.0ml	20,000g	Conical-Bottom	Red	Yes	No	500/PK, 5000/CS
525-1131	20170-092	2.0ml	20,000g	Conical-Bottom	Purple	Yes	No	500/PK, 5000/CS
525-1133	20170-094	2.0ml	20,000g	Conical-Bottom	Blue	Yes	No	500/PK, 5000/CS
525-1134	20170-096	2.0ml	20,000g	Conical-Bottom	Green	Yes	No	500/PK, 5000/CS
525-1135	20170-098	2.0ml	20,000g	Conical-Bottom	Assorted	Yes	No	100/Bag/Color, 500/PK, 5000/CS
525-1136	20170-170	2.0ml	20,000g	Conical-Bottom	Natural	Yes	No	500/PK, 5000/CS
525-1178		1.5ml	20,000g	Conical-Bottom	Natural	Yes	Yes	50/Bag, 10 Bags/PK, 5000/CS



VWR® High Performance Microcentrifuge Tubes, Polypropylene

Description: Micro Centrifuge Tubes with caps, Conical-Bottom, Non-Sterile

Purpose: Used for sample storage, operation and centrifugation

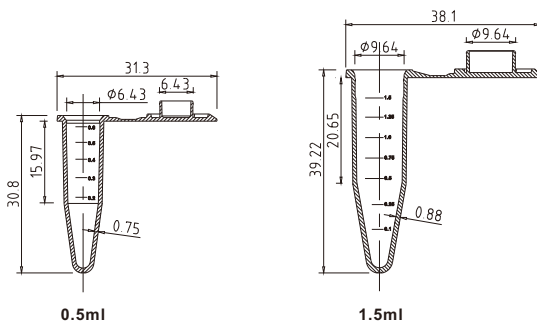
Materials

Tube/Cap: PP (Polypropylene), Compliance with USP Class VI

Features

- Made from high grade gamma resistance polypropylene
- Autoclavable at 121°C and freezable to -80°C
- Engraved graduation ensure accuracy
- Flat and frost caps surface together with smooth and frosted body surface
- Provide easy and legible mark area
- Meet the requirements of BSE/TSE
- Latex Statement: This product is latex free
- Non-pyrogenic: The acceptance level for product is 0.05 EU/ml. (Tachypleus Amebocyte Lysate (TAL) Clot-gel test)
- Meet the requirements of RoHS
- DNase/RNase-free
- Assorted pack contains 5 colors of red, orange, yellow, green and blue
- Manufactured in a Class 100,000 cleanroom environment
- Manufactured under ISO13485 and ISO9001 quality management system

Dimensions (Unit:mm)



VWR® High Performance Microcentrifuge Tubes, Polypropylene

VWR EU EAN. No.	VWR NA Cat. No.	Capacity (ml)	Maximum RCF	Tube Shape	Tube Color	Graduation	Sterilization	Packaging Configuration
525-1170	20170-306	0.5ml	35,000g	Conical-Bottom	Assorted	Yes	No	200/Bag/Color, 1000/PK, 5000/CS
525-1171	20170-303	0.5ml	35,000g	Conical-Bottom	Blue	Yes	No	1000/PK, 10000/CS
525-1172	20170-293	0.5ml	35,000g	Conical-Bottom	Natural	Yes	No	1000/PK, 10000/CS
525-1173	20170-297	0.5ml	35,000g	Conical-Bottom	Orange	Yes	No	1000/PK, 10000/CS
525-1174	20170-301	0.5ml	35,000g	Conical-Bottom	Purple	Yes	No	1000/PK, 10000/CS
525-1175	20170-299	0.5ml	35,000g	Conical-Bottom	Red	Yes	No	1000/PK, 10000/CS
525-1176	20170-295	0.5ml	35,000g	Conical-Bottom	Yellow	Yes	No	1000/PK, 10000/CS
525-1177	20170-305	0.5ml	35,000g	Conical-Bottom	Green	Yes	No	1000/PK, 10000/CS
525-1161	20170-036	1.5ml	40,000g	Conical-Bottom	Amber	Yes	No	500/PK, 5000/CS
525-1167	20170-022	1.5ml	40,000g	Conical-Bottom	Assorted	Yes	No	100/Bag/Color, 500/PK, 5000/CS
525-1162	20170-026	1.5ml	40,000g	Conical-Bottom	Blue	Yes	No	500/PK, 5000/CS
525-1164	20170-038	1.5ml	40,000g	Conical-Bottom	Natural	Yes	No	500/PK, 5000/CS
525-1163	20170-024	1.5ml	40,000g	Conical-Bottom	Green	Yes	No	500/PK, 5000/CS
525-1165	20170-032	1.5ml	40,000g	Conical-Bottom	Orange	Yes	No	500/PK, 5000/CS
525-1166	20170-028	1.5ml	40,000g	Conical-Bottom	Purple	Yes	No	500/PK, 5000/CS
525-1168	20170-030	1.5ml	40,000g	Conical-Bottom	Red	Yes	No	500/PK, 5000/CS
525-1169	20170-034	1.5ml	40,000g	Conical-Bottom	Yellow	Yes	No	500/PK, 5000/CS



VWR® Micro Centrifuge Tube with Socket Screw-Cap

Description: Screw-Cap Micro Centrifuge Tubes with silicone O-ring, Sterile/Non-Sterile

Purpose: Used for sample storage, operation and centrifugation

Materials

Tube: PP (Polypropylene), Compliance with USP Class VI

Cap: PP (Polypropylene), Compliance with USP Class VI

Insert: PP (Polypropylene), Compliance with USP Class VI

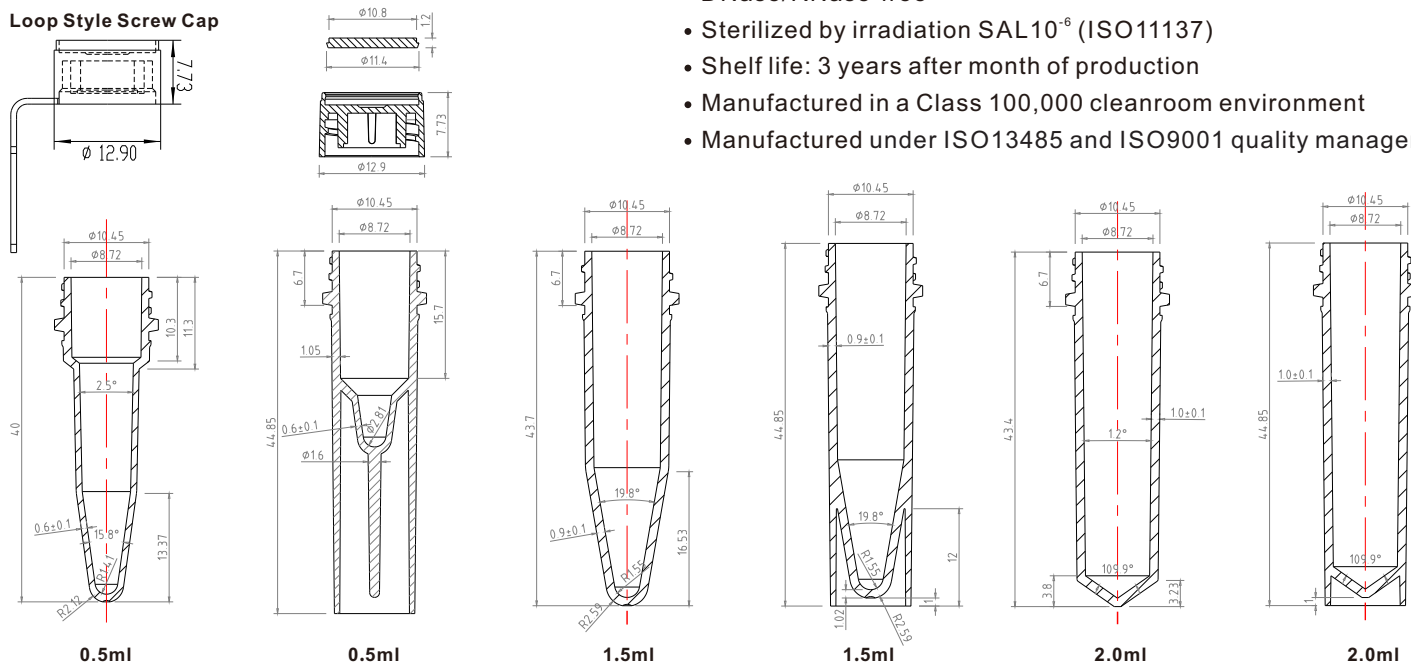
Features

- Made from high grade gamma resistance polypropylene
- Autoclavable at 121°C and freezable to -80°C, and excellent for frozen storage
- Caps accept color coded inserts, and easily write on the forested side of insert
- O-rings are made from silicone to insure a leakproof seal
- Meet the requirements of BSE/TSE
- Latex Statement: This product is latex free
- Non-pyrogenic: The acceptance level for product is 0.05 EU/ml. (Tachypleus Amebocyte Lysate (TAL) Clot-gel test)
- Meet the requirements of RoHS
- Assorted pack contains 5 colors of red, orange, yellow, green and blue
- DNase/RNase-free
- Sterilized by irradiation SAL10⁻⁶ (ISO11137)
- Shelf life: 3 years after month of production
- Manufactured in a Class 100,000 cleanroom environment
- Manufactured under ISO13485 and ISO9001 quality management system



Dimensions (Unit:mm)

Loop Style Screw Cap



VWR® Micro Centrifuge Tube with Socket Screw-Cap

VWR EU EAN. No.	VWR NA Cat. No.	Capacity (ml)	Maximum RCF	Tube Shape	Tube Color	Graduation	Cap Shape	Cap Color	Sterilization	Packaging Configuration
525-1231	89004-280	0.5ml	20,000g	Conical-Bottom	Natural	No	Screw Cap	Green	No	Tube:500/PK, Cap:500/PK, 5000/CS
	89004-282	0.5ml	20,000g	Conical-Bottom	Natural	No	Screw Cap	Green	Yes	50/Bag, 10 Bags/PK, 5000/CS
525-1233	89004-284	0.5ml	20,000g	Freestanding	Natural	No	Screw Cap	Green	No	Tube:500/PK, Cap:500/PK, 5000/CS
	89004-286	0.5ml	20,000g	Freestanding	Natural	No	Screw Cap	Green	Yes	50/Bag, 10 Bags/PK, 5000/CS
525-1234	89004-312	0.5ml	20,000g	Conical-Bottom	Natural	No	Loop Cap	Natural	No	500/PK, 5000/CS
525-1235	89004-316	0.5ml	20,000g	Freestanding	Natural	No	Loop Cap	Natural	No	500/PK, 5000/CS
525-1236	89004-288	1.5ml	20,000g	Conical-Bottom	Natural	Yes	Screw Cap	Green	No	Tube:500/PK, Cap:500/PK, 5000/CS
	89004-290	1.5ml	20,000g	Conical-Bottom	Natural	Yes	Screw Cap	Green	Yes	50/Bag, 10 Bags/PK, 5000/CS
525-1237	89004-292	1.5ml	20,000g	Freestanding	Natural	Yes	Screw Cap	Green	No	Tube:500/PK, Cap:500/PK, 5000/CS
	89004-294	1.5ml	20,000g	Freestanding	Natural	Yes	Screw Cap	Green	Yes	50/Bag, 10 Bags/PK, 5000/CS

VWR® Micro Centrifuge Tube with Socket Screw-Cap

VWR EU EAN. No.	VWR NA Cat. No.	Capacity (ml)	Maximum RCF	Tube Shape	Tube Color	Graduation	Cap Shape	Cap Color	Sterilization	Packaging Configuration
525-1238	89004-304	1.5ml	20,000g	Conical-Bottom	Natural	Yes	Loop Cap	Natural	No	500/PK, 5000/CS
525-1239	89004-320	1.5ml	20,000g	Freestanding	Natural	Yes	Loop Cap	Natural	No	500/PK, 5000/CS
525-1240	89004-296	2.0ml	20,000g	Conical-Bottom	Natural	Yes	Screw Cap	Green	No	Tube:500/PK, Cap:500/PK, 5000/CS
	89004-298	2.0ml	20,000g	Conical-Bottom	Natural	Yes	Screw Cap	Green	Yes	50/Bag, 10 Bags/PK, 5000/CS
525-1241	89004-300	2.0ml	20,000g	Freestanding	Natural	Yes	Screw Cap	Green	No	Tube:500/PK, Cap:500/PK, 5000/CS
	89004-302	2.0ml	20,000g	Freestanding	Natural	Yes	Screw Cap	Green	Yes	50/Bag, 10 Bags/PK, 5000/CS
525-1243	89004-308	2.0ml	20,000g	Freestanding	Natural	Yes	Loop Cap	Natural	No	500/PK, 5000/CS
525-1244	89004-324	2.0ml	20,000g	Conical-Bottom	Natural	Yes	Loop Cap	Natural	No	500/PK, 5000/CS
	89004-350	MCT Cap					Screw Cap	Yellow	Yes	500/PK, 5000/CS
	89004-352	MCT Cap					Screw Cap	Orange	Yes	500/PK, 5000/CS
	89004-354	MCT Cap					Screw Cap	Red	Yes	500/PK, 5000/CS
	89004-356	MCT Cap					Screw Cap	Purple	Yes	500/PK, 5000/CS
	89004-362	MCT Cap					Screw Cap	Assorted	Yes	500/PK, 5000/CS
	10025-758	MCT Cap					Screw Cap	Natural	No	500/PK, 5000/CS
	10025-760	MCT Cap					Screw Cap	White	No	500/PK, 5000/CS
	10025-762	MCT Cap					Screw Cap	Blue	No	500/PK, 5000/CS
	10025-764	MCT Cap					Screw Cap	Green	No	500/PK, 5000/CS
	76318-710	MCT Insert						Yellow	No	500/Box, 5000/CS
	76318-712	MCT Insert						Orange	No	500/Box, 5000/CS
	76318-714	MCT Insert						Red	No	500/Box, 5000/CS
	76318-720	MCT Insert						Assorted	No	500/Box, 5000/CS
525-0657	10025-766	MCT Insert						White	No	500/Box, 5000/CS
525-0658	10025-768	MCT Insert						Blue	No	500/Box, 5000/CS
525-0659	10025-770	MCT Insert						Green	No	500/Box, 5000/CS



VWR® Micro Centrifuge Tube with Flat Screw-Cap

Description: Screw-Cap Micro Centrifuge Tubes with silicone O-ring, Sterile/Non-Sterile

Purpose: Used for sample storage, operation and centrifugation

Materials

Tube: PP (Polypropylene), Compliance with USP Class VI

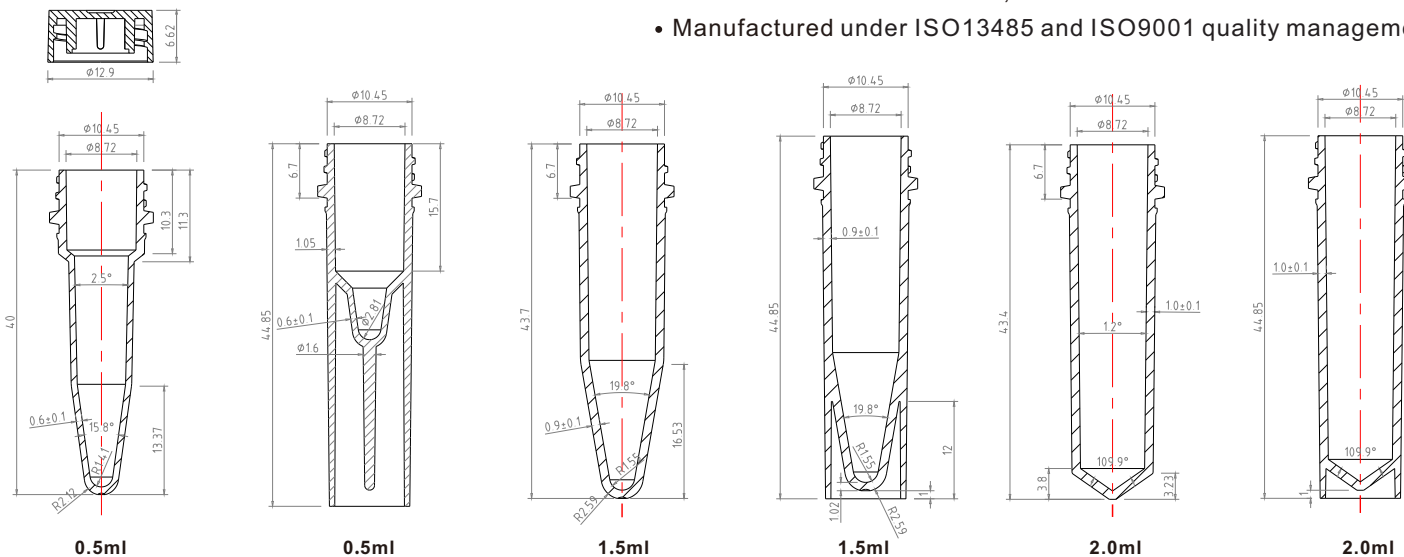
Cap: PP (Polypropylene), Compliance with USP Class VI

Features

- Made from high grade gamma resistance polypropylene
- Autoclavable at 121°C and freezable to -80°C, and excellent for frozen storage
- Engraved graduation ensure accuracy
- O-rings are made from silicone to insure a leakproof seal
- Meet the requirements of BSE/TSE
- Latex Statement: This product is latex free
- Non-pyrogenic: The acceptance level for product is 0.05 EU/ml. (Tachypleus Amebocyte Lysate (TAL) Clot-gel test)
- Meet the requirements of RoHS
- DNase/RNase-free
- Assorted pack contains 5 colors of red, orange, yellow, green and blue
- Sterilized by irradiation SAL10⁻⁶ (ISO11137)
- Shelf life: 3 years after month of production
- Manufactured in a Class 100,000 cleanroom environment
- Manufactured under ISO13485 and ISO9001 quality management system



Dimensions (Unit:mm)



VWR® Micro Centrifuge Tube with Flat Screw-Cap

VWR EU EAN. No.	VWR NA Cat. No.	Capacity (ml)	Maximum RCF	Tube Shape	Tube Color	Graduation	Cap Shape	Cap Color	Sterilization	Packaging Configuration
525-1137	16466-034	0.5ml	20,000g	Conical-Bottom	Natural	Yes			No	500/PK, 5000/CS
525-1144	16466-056	0.5ml	20,000g	Conical-Bottom	Natural	Yes	Flat	Natural	No	Tube:500/PK, Cap:500/PK, 5000/CS
525-1140	16466-054	0.5ml	20,000g	Conical-Bottom	Natural	Yes	Flat	Natural	Yes	50/Bag, 10 Bags/PK, 5000/CS
525-1147	16466-036	0.5ml	20,000g	Freestanding	Natural	Yes			No	500/PK, 5000/CS
525-1157	16466-052	0.5ml	20,000g	Freestanding	Natural	Yes	Flat	Natural	No	Tube:500/PK, Cap:500/PK, 5000/CS
525-1155	16466-050	0.5ml	20,000g	Freestanding	Natural	Yes	Flat	Natural	Yes	50/Bag, 10 Bags/PK, 5000/CS



VWR® Micro Centrifuge Tube with Flat Screw-Cap

VWR EU EAN. No.	VWR NA Cat. No.	Capacity (ml)	Maximum RCF	Tube Shape	Tube Color	Graduation	Cap Shape	Cap Color	Sterilization	Packaging Configuration
525-1138	16466-030	1.5ml	20,000g	Conical-Bottom	Natural	Yes			No	500/PK, 5000/CS
525-1145	16466-064	1.5ml	20,000g	Conical-Bottom	Natural	Yes	Flat	Natural	No	Tube:500/PK, Cap:500/PK, 5000/CS
525-1141	16466-062	1.5ml	20,000g	Conical-Bottom	Natural	Yes	Flat	Natural	Yes	50/Bag, 10 Bags/PK, 5000/CS
525-1148	16466-038	1.5ml	20,000g	Freestanding	Natural	Yes			No	500/PK, 5000/CS
525-1158	16466-048	1.5ml	20,000g	Freestanding	Natural	Yes	Flat	Natural	No	Tube:500/PK, Cap:500/PK, 5000/CS
525-1159	16466-046	1.5ml	20,000g	Freestanding	Natural	Yes	Flat	Natural	Yes	50/Bag, 10 Bags/PK, 5000/CS
525-1139	16466-040	2.0ml	20,000g	Conical-Bottom	Natural	Yes			No	500/PK, 5000/CS
525-1146	16466-044	2.0ml	20,000g	Conical-Bottom	Natural	Yes	Flat	Natural	No	Tube:500/PK, Cap:500/PK, 5000/CS
525-1143	16466-042	2.0ml	20,000g	Conical-Bottom	Natural	Yes	Flat	Natural	Yes	50/Bag, 10 Bags/PK, 5000/CS
525-1149	16466-032	2.0ml	20,000g	Freestanding	Natural	Yes			No	500/PK, 5000/CS
525-1160	16466-060	2.0ml	20,000g	Freestanding	Natural	Yes	Flat	Natural	No	Tube:500/PK, Cap:500/PK, 5000/CS
525-1156	16466-058	2.0ml	20,000g	Freestanding	Natural	Yes	Flat	Natural	Yes	50/Bag, 10 Bags/PK, 5000/CS
525-1187	16466-084	MCT Cap					Flat	Asstorted	No	100/Bag/Color, 5 Bags/PK, 5000/CS
525-1180	16466-070	MCT Cap					Flat	Blue	No	500/PK, 5000/CS
525-1186	16466-082	MCT Cap					Flat	Natural	No	500/PK, 5000/CS
525-1179	16466-068	MCT Cap					Flat	Green	No	500/PK, 5000/CS
525-1183	16466-076	MCT Cap					Flat	Orange	No	500/PK, 5000/CS
525-1181	16466-072	MCT Cap					Flat	Purple	No	500/PK, 5000/CS
525-1182	16466-074	MCT Cap					Flat	Red	No	500/PK, 5000/CS
525-1185	16466-080	MCT Cap					Flat	White	No	500/PK, 5000/CS
525-1184	16466-078	MCT Cap					Flat	Yellow	No	500/PK, 5000/CS
525-1564		MCT Cap					Flat	Natural	Yes	500/PK, 5000/CS