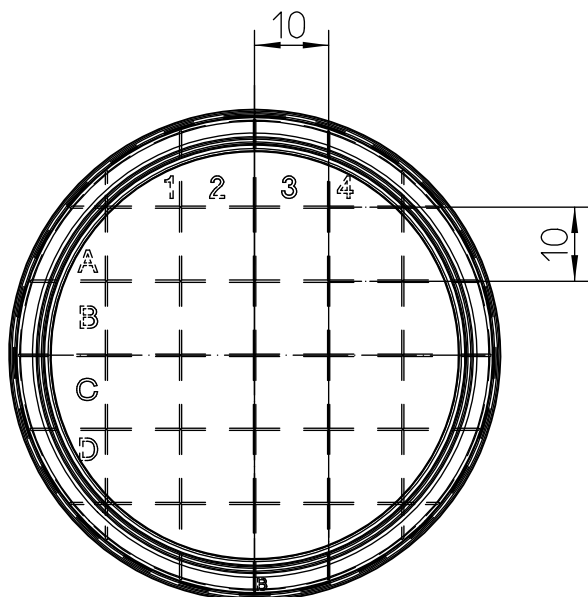
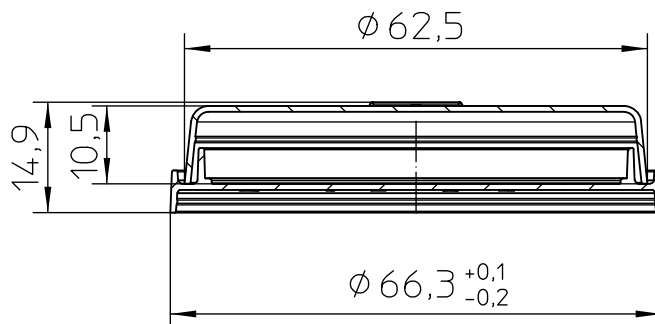
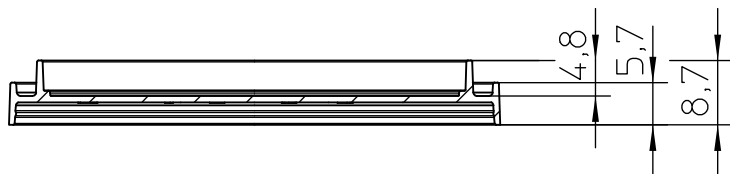


Valid for Item-No.: 629102, 629161



"All dimensions in mm"

Customer drawing subject to change without notice!

Uncontrolled Copy

Prior Issue	Drawn	Approved	Released	CONFIDENTIAL: Information contained in this document or drawing is confidential and proprietary to Greiner Bio-One GmbH. This document may not be reproduced for any reason without written permission from Greiner Bio-One GmbH. All rights of design, invention, and copyright are reserved.
Revision 1	Date 2011/05/19	Date 2013/11/15	Date 2013/11/15	
Date 2011/05/19	Name falter	Name schwarzj	Name sonntag	