



Profit from the Eagle Advantage®

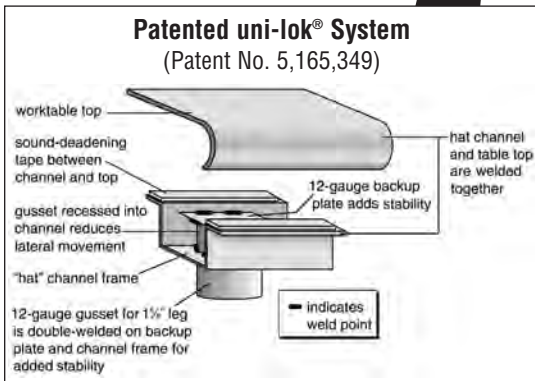
Specification Sheet

Short Form Specifications

Eagle worktables, Deluxe series, model _____ . Top to be constructed of 16/304 stainless steel with 1½" roll on front, 4½" backsplash, and sides turned down 90°. Open front with 1¼" O.D., stainless steel tubular crossbracing on sides and rear. Top reinforced with welded hat channels and sound deadened. Constructed with uni-lok® patented gusset system with the gussets recessed into the hat channels to reduce lateral movement. Legs to be 1½" O.D., stainless steel tubing, with stainless steel gussets and 1" stainless steel adjustable bullet feet.



worktable with backsplash and tubular base —shown with optional drawer



EAGLE GROUP
100 Industrial Boulevard, Clayton, DE 19938-8903 USA
Phone: 302-653-3000 • Fax: 302-653-2065
www.eaglegrp.com

Foodservice Division: Phone 800-441-8440
MHC/Retail Display Divisions: Phone 800-637-5100

For custom configuration or fabrication needs, contact our **SpecFAB® Division**.
Phone: 302-653-3000 • Fax: 302-653-3091 • e-mail: specfab@eaglegrp.com

Spec sheets available for viewing, printing or downloading from our online literature library at www.eaglegrp.com

Eagle Foodservice Equipment, Eagle MHC, SpecFAB®, and Retail Display are divisions of Eagle Group. ©2012 by the Eagle Group

Item No.: _____
Project No.: _____
S.I.S. No.: _____

Worktables with Backsplash and Stainless Steel Tubular Base —Deluxe Series

MODELS:

- | | | | |
|---------------------------------------|--|--|--|
| <input type="checkbox"/> T2424STEB-BS | <input type="checkbox"/> T24108STEB-BS | <input type="checkbox"/> T3072STEB-BS | <input type="checkbox"/> T3660STEB-BS |
| <input type="checkbox"/> T2430STEB-BS | <input type="checkbox"/> T24120STEB-BS | <input type="checkbox"/> T3084STEB-BS | <input type="checkbox"/> T3672STEB-BS |
| <input type="checkbox"/> T2436STEB-BS | <input type="checkbox"/> T24132STEB-BS | <input type="checkbox"/> T3096STEB-BS | <input type="checkbox"/> T3684STEB-BS |
| <input type="checkbox"/> T2448STEB-BS | <input type="checkbox"/> T24144STEB-BS | <input type="checkbox"/> T30108STEB-BS | <input type="checkbox"/> T3696STEB-BS |
| <input type="checkbox"/> T2460STEB-BS | <input type="checkbox"/> T3030STEB-BS | <input type="checkbox"/> T30120STEB-BS | <input type="checkbox"/> T36108STEB-BS |
| <input type="checkbox"/> T2472STEB-BS | <input type="checkbox"/> T3036STEB-BS | <input type="checkbox"/> T30132STEB-BS | <input type="checkbox"/> T36120STEB-BS |
| <input type="checkbox"/> T2484STEB-BS | <input type="checkbox"/> T3048STEB-BS | <input type="checkbox"/> T30144STEB-BS | <input type="checkbox"/> T36132STEB-BS |
| <input type="checkbox"/> T2496STEB-BS | <input type="checkbox"/> T3060STEB-BS | <input type="checkbox"/> T3648STEB-BS | <input type="checkbox"/> T36144STEB-BS |

Tabletop

- Patented uni-lok® gusset system (patent #5,165,349): gussets are recessed into hat channel, reducing lateral movement.
- Top reinforced with welded-on hat channel.
- Sound-deadened between top and channels.
- 4½" (114mm)-high 90° backsplash with 1" (25mm) turn at 90°.
- 1½" (38mm)-diameter 180° rolled edge on front. Ends are turned down 90°, providing for flush installations when required.
- 16 gauge type 304 polished stainless steel.

Crossbracing—1¼" (38mm)-diameter

- Heavy gauge stainless steel.
- Aluminum castings join crossbraces, legs and rear brace.

Legs—1½" (41mm)-diameter

- Tables 96" (2438mm) and longer come with six legs or more.
- Heavy gauge stainless steel.
- 1" (25mm) adjustable stainless steel feet.

Options / Accessories

- | | |
|--|--|
| <input type="checkbox"/> Drawer | <input type="checkbox"/> Duplex receptacles |
| <input type="checkbox"/> Lock | <input type="checkbox"/> Pot rack |
| <input type="checkbox"/> Casters | <input type="checkbox"/> Sink |
| <input type="checkbox"/> Stainless steel bullet feet | <input type="checkbox"/> Stabilizer Bar (for 30"- and 36"-wide tables) |
| <input type="checkbox"/> Overshelves | |
| <input type="checkbox"/> Power strip (for material handling) | |

Certifications / Approvals



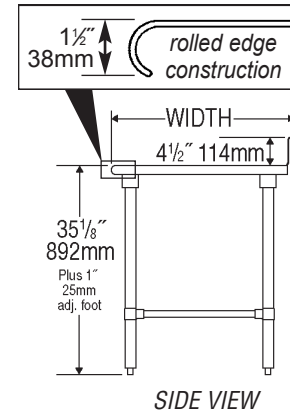
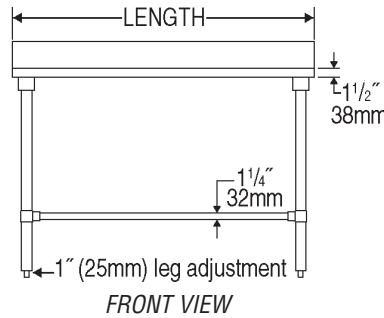
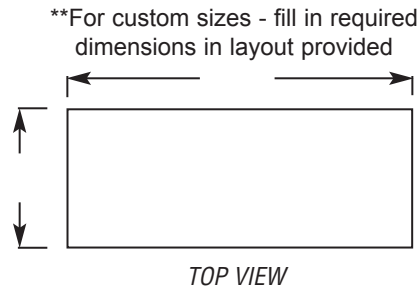
AUTOQUOTES





Item No.: _____
 Project No.: _____
 S.I.S. No.: _____

Worktables with Backsplash and Stainless Steel Tubular Base —Deluxe Series



model #	# of legs	width		length		weight	
		in.	mm	in.	mm	lbs.	kg
T2424STEB-BS	4	24"	610	24"	610	41	18.6
T2430STEB-BS	4	24"	610	30"	762	46	20.9
T2436STEB-BS	4	24"	610	36"	914	51	23.1
T2448STEB-BS	4	24"	610	48"	1219	61	27.7
T2460STEB-BS	4	24"	610	60"	1524	71	32.2
T2472STEB-BS	4	24"	610	72"	1829	81	36.7
T2484STEB-BS	4	24"	610	84"	2134	91	41.3
T2496STEB-BS	6	24"	610	96"	2438	101	45.8
T24108STEB-BS	6	24"	610	108"	2743	111	50.3
T24120STEB-BS	6	24"	610	120"	3048	121	54.9
T24132STEB-BS	8	24"	610	132"	3353	131	59.4
T24144STEB-BS	8	24"	610	144"	3658	141	64.0
T3030STEB-BS	4	30"	762	30"	762	51	23.1
T3036STEB-BS	4	30"	762	36"	914	56	25.4
T3048STEB-BS	4	30"	762	48"	1219	66	29.9
T3060STEB-BS	4	30"	762	60"	1524	76	34.5
T3072STEB-BS	4	30"	762	72"	1829	86	39.0
T3084STEB-BS	4	30"	762	84"	2134	96	43.6
T3096STEB-BS	6	30"	762	96"	2438	106	48.1
T30108STEB-BS	6	30"	762	108"	2743	116	52.6
T30120STEB-BS	6	30"	762	120"	3048	126	57.2
T30132STEB-BS	8	30"	762	132"	3353	136	61.7
T30144STEB-BS	8	30"	762	144"	3658	146	66.2
T3648STEB-BS	4	36"	914	48"	1219	71	32.2
T3660STEB-BS	4	36"	914	60"	1524	81	36.7
T3672STEB-BS	4	36"	914	72"	1829	91	41.3
T3684STEB-BS	4	36"	914	84"	2134	101	45.8
T3696STEB-BS	6	36"	914	96"	2438	111	50.3
T36108STEB-BS	6	36"	914	108"	2743	121	54.9
T36120STEB-BS	6	36"	914	120"	3048	131	59.4
T36132STEB-BS	8	36"	914	132"	3353	141	64.0
T36144STEB-BS	8	36"	914	144"	3658	151	68.5

EAGLE GROUP
 100 Industrial Boulevard, Clayton, DE 19938-8903 USA
 Phone: 302-653-3000 • Fax: 302-653-2065
 www.eaglegrp.com

Foodservice Division: Phone 800-441-8440
 MHC/Retail Display Divisions: Phone 800-637-5100

Printed in U.S.A.
 ©2012 by Eagle Group
 Rev. 08/12

Spec sheets available for viewing, printing or downloading from our online literature library at www.eaglegrp.com

Although every attempt has been made to ensure the accuracy of the information provided, we cannot be held responsible for typographical or printing errors. Information and specifications are subject to change without notice. Please confirm at time of order.