



VWR® 250ml Centrifuge Bottles

Description: 250mL, Conical Centrifuge Bottle, Plug Seal Cap, Sterilized

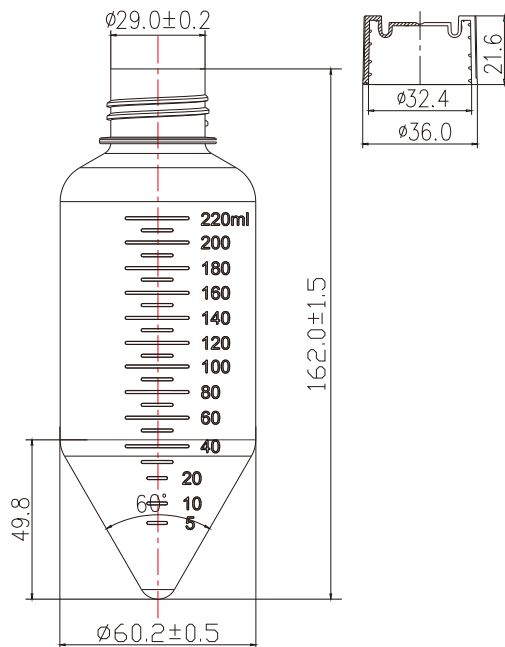
Purpose: Centrifuge bottles are popular in samples centrifuging or storage in many research area

Materials:

Bottle: PP(Polypropylene), Compliance with USP Class VI

Cap: HDPE(High Density Polyethylene), Compliance with USP Class VI

Dimensions (Unit: mm)



Features

- Made from high grade gamma resistance polypropylene
- Plug seal cap made with polyethylene
- Meet the requirements of BSE/TSE
- Latex Statement: this product is latex free
- Engraved graduation
- Max RCF up to 7,500xg
- D/RNaseNase free and non-pyrogenic
- Sterilized by irradiation SAL10⁻⁶ (ISO11137)
- Shelf Life: 3 years after month of production
- Manufactured in a Class 100,000 cleanroom environment
- Manufactured under ISO13485 and ISO9001 quality management system



VWR® 250mL Centrifuge Bottles

VWR EU EAN. No.	VWR NA Cat. No.	Capacity (mL)	Maximum RCF	Bottle Color	Cap Color	Cap Shape	Bottle Shape	Sterile	Packaging Configuration
525-1597	76234-744	250mL	7,500g	Clear	White	Plug Seal cap	Conical-Bottom	Yes	6/Bag, 48/CS