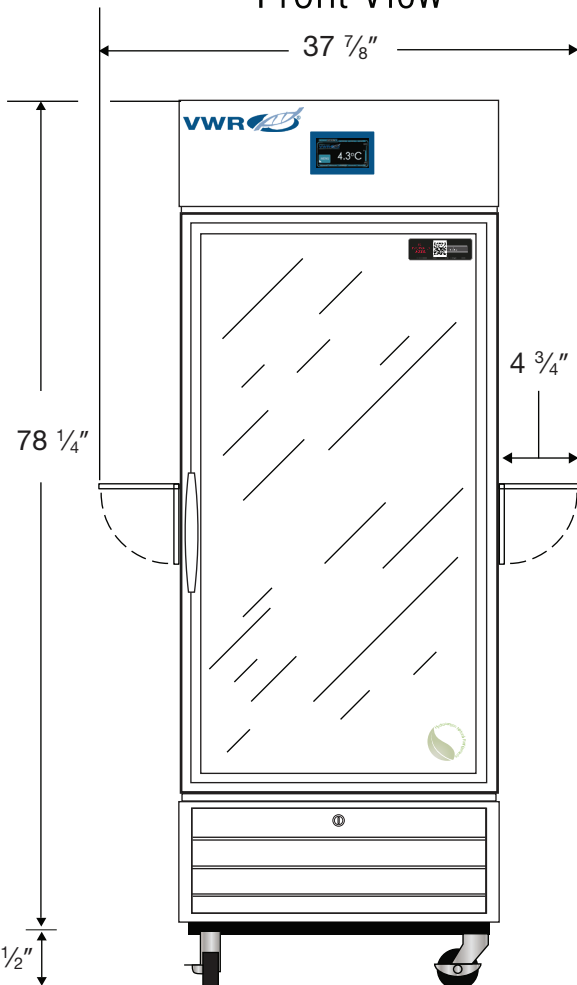


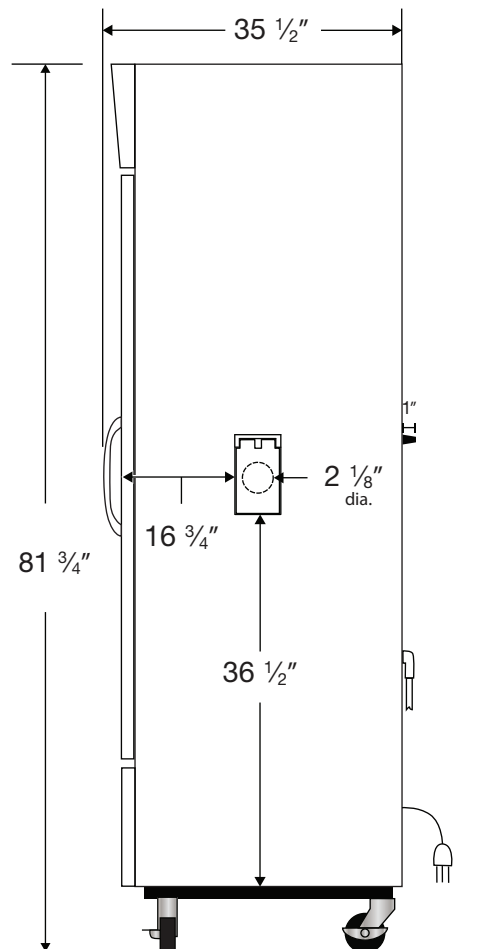
Exterior



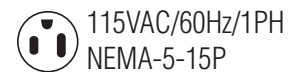
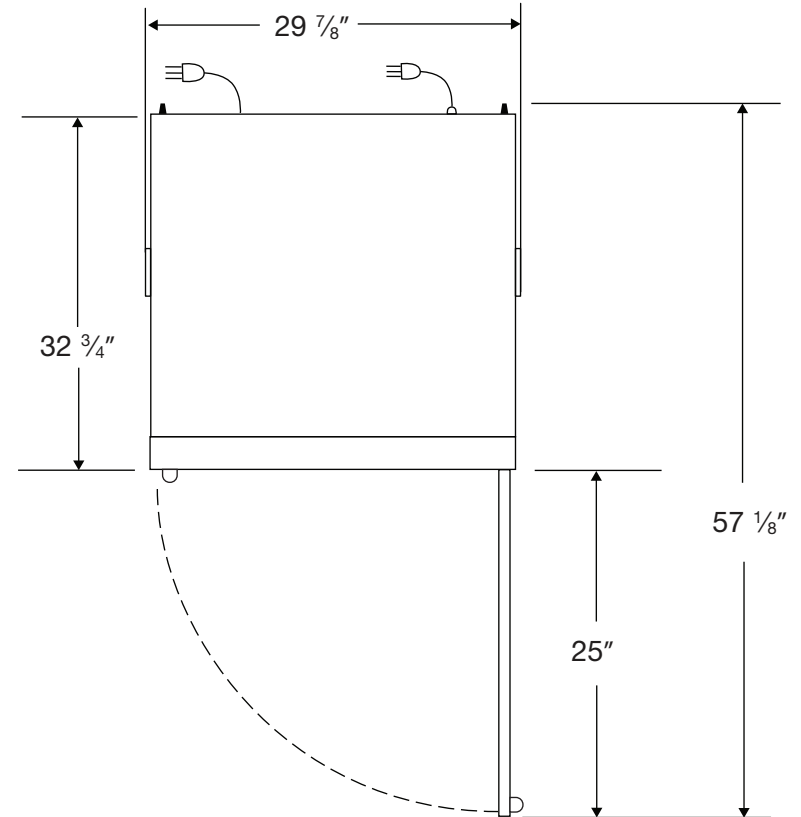
Front View



Side View



Top View


 115VAC/60Hz/1PH
 NEMA-5-15P

Cat# 76514-284/VWR-HCCP-26-TS

Cu.Ft.	Defrost	Door	Int Door	Shelves	W"	D"	H"	Refrigerant	H.P.	Amps	Weight
26	Cycle	1 Glass	0	4 Adj.	29 7/8	36 1/2	81 3/4	R290	1/5	3	315 lbs.