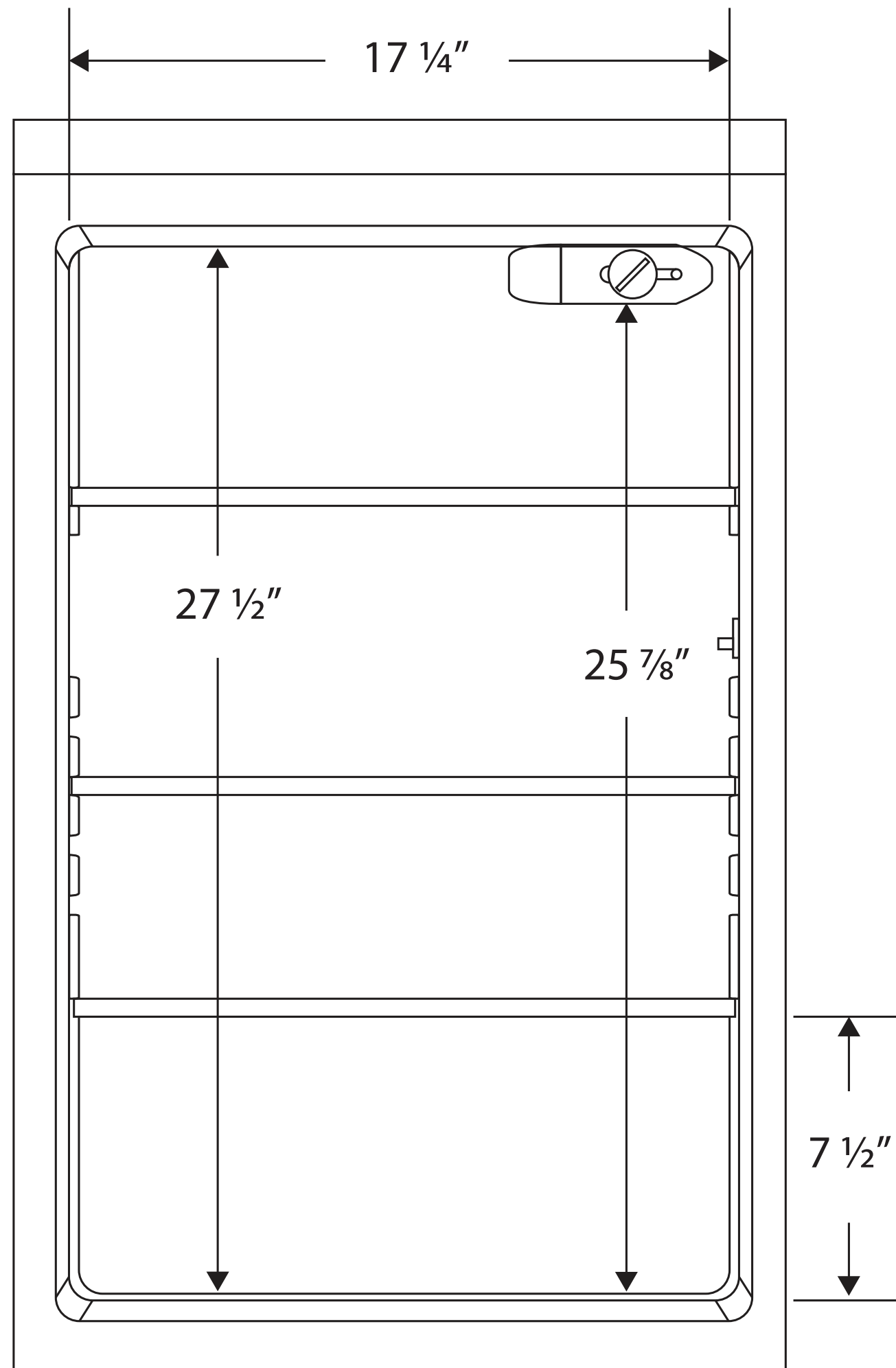
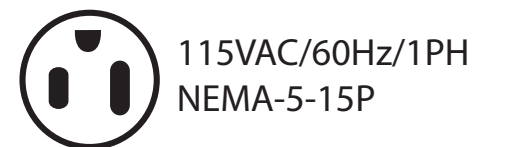
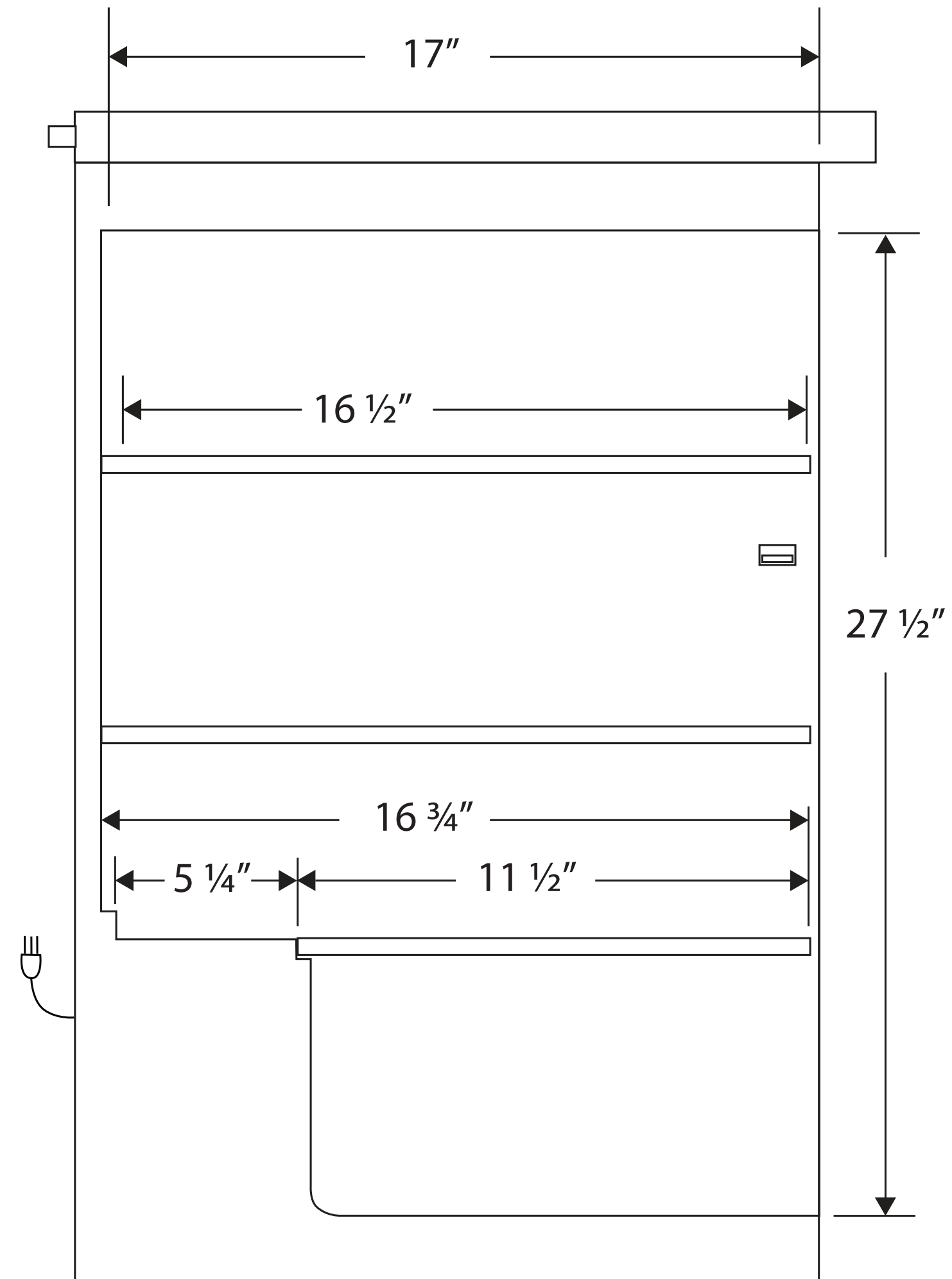


Interior

Front View



Side View


Cat# 10819-650/HCUCFS-0404

Cu.Ft.	Defrost	Door	Int Door	Shelves	Interior Dimensions			Refrigerant	H.P.	Amps	Weight
					W"	D"	H"				
5	Cycle	1 Solid	0	2 Adj/1 Fixed	17 1/4	17	27 1/2	R600a	1/7	.90	69 lbs.

Note: Interior dimensions are estimates and subject to change without notice