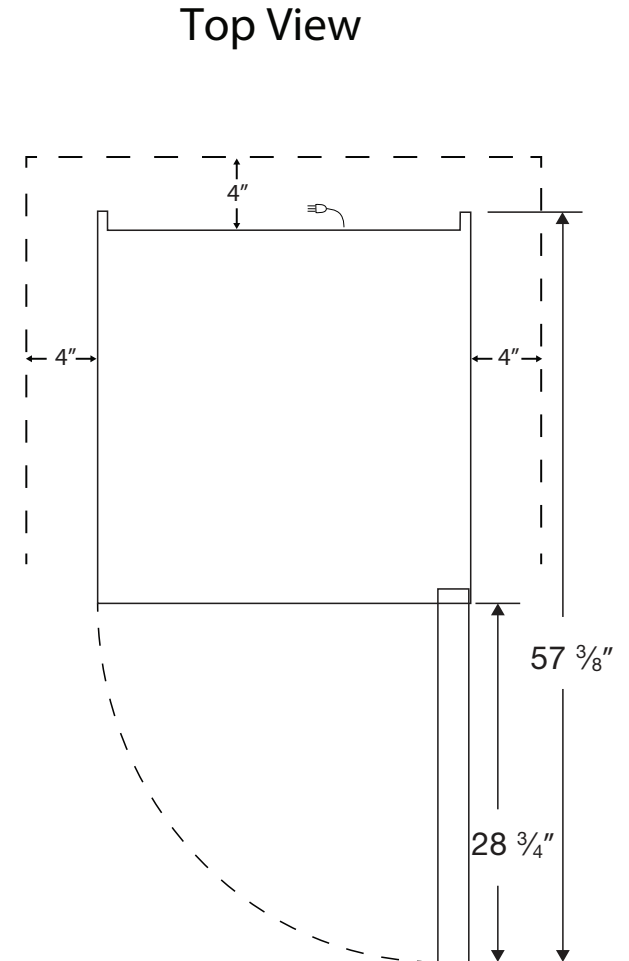
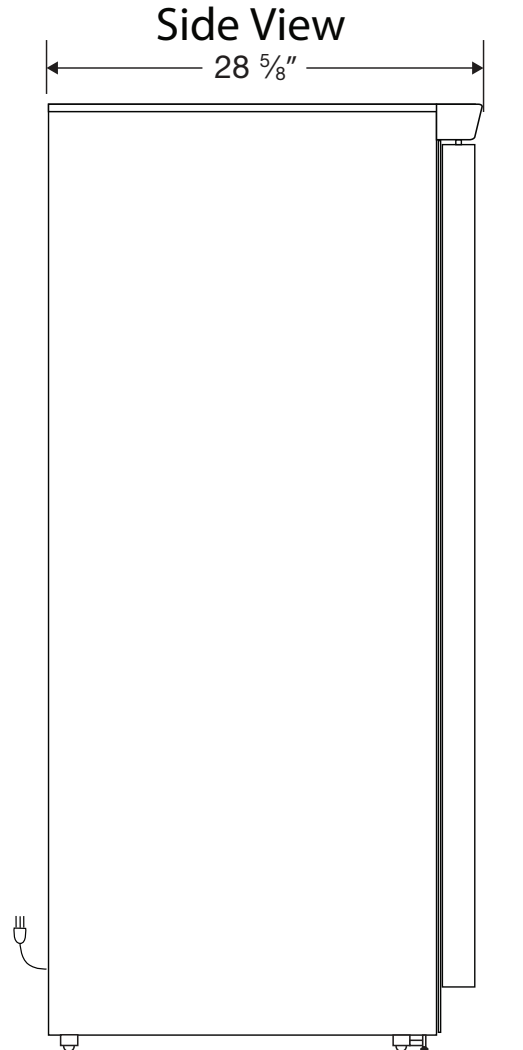
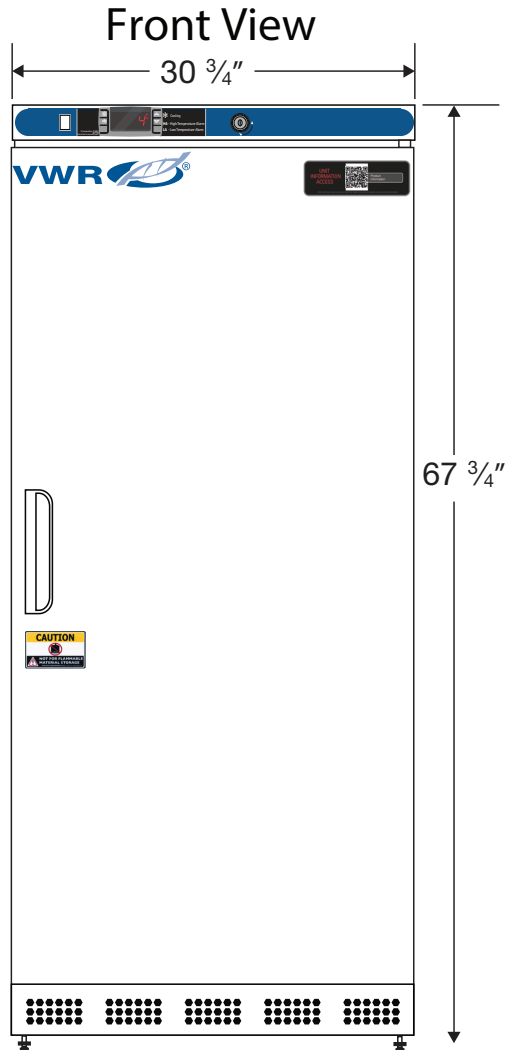


## Exterior



115VAC/60Hz/1PH  
NEMA-5-15P

**NOTE: Ventilation Requirements – Minimum 4" clearance on sides and back**

**Cat# 76580-188/VWR-HC-RFP-17**

Cu.Ft.	Defrost	Door	Int Door	Shelves	W"	D"	H"	Refrigerant	H.P.	Amps	Weight
17	Cycle	1 Solid	0	5 Adj.	30 3/4	28 5/8	67 3/4	R600a	1/4	3	210 lbs.