

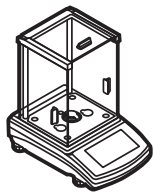
Start up Guide

T-Series

NTEP Series Balances

1. CONTENT

Models: VWR-225TC.N



Balance
x 1



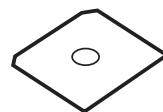
Weighing pan
x 1



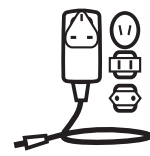
Draft shield
x 1



Centring ring
x 1

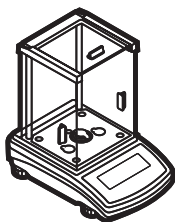


Bottom insert
x 1



Power adapter
x 1

Models: VWR-224TC.N | VWR-314TC.N



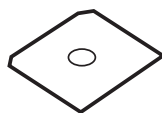
Balance
x 1



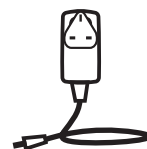
Weighing pan
x 1



Draft shield
x 1

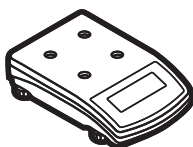


Bottom insert
x 1



Power adapter
x 1

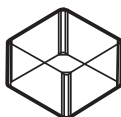
Models: VWR-363TC.N | VWR-1003TC.N



Balance
x 1



Weighing pan
x 1



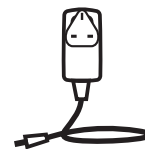
Draft shield
x 1



Grounding foot
x 1

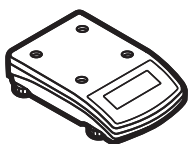


Foot
x 3



Power adapter
x 1

Models: VWR-2102TC.N | VWR-4502TC.N | VWR-6002TC.N



Balance
x 1



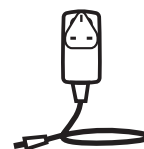
Weighing pan
x 1



Grounding foot
x 1

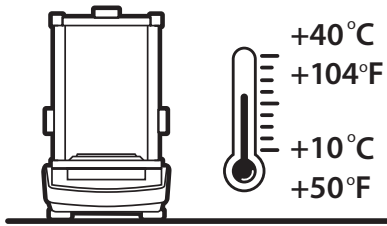


Foot
x 3



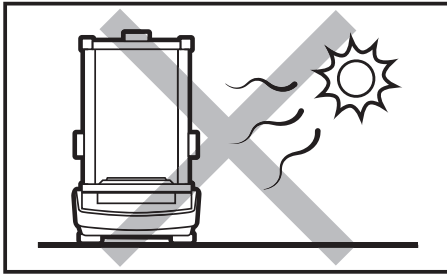
Power adapter
x 1

2. WORKROOM AND BASIC OPERATION GUIDELINES

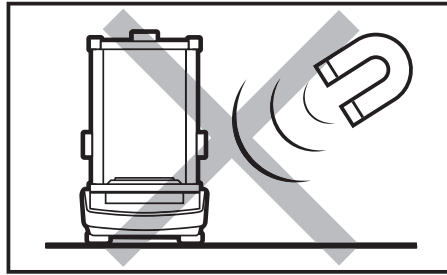


Operate the device in a room where the temperature ranges between 10–40 °C (50–104 °F) and where the relative humidity is below 80%.

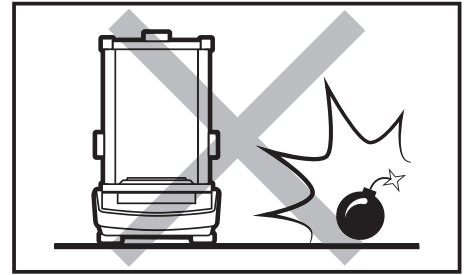
Place the balance on a solid surface to ensure stability. To obtain stable and repeatable weighing results, an anti-vibration table is recommended.



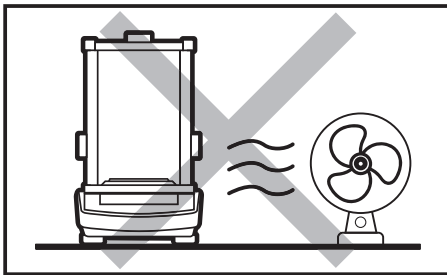
Place the balance away from heat sources. Avoid exposing the balance to the sunlight.



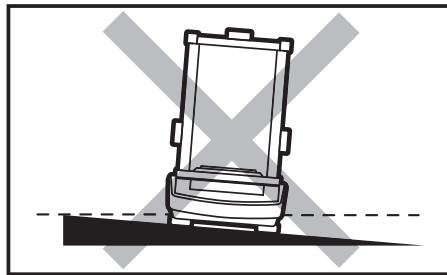
Avoid exposing the balance to a magnetic field. Do not weigh magnetic substances.



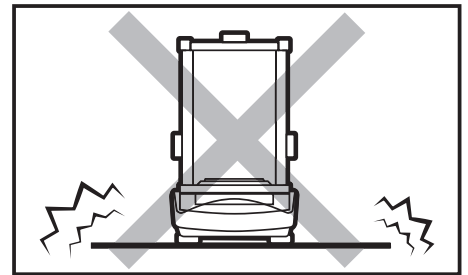
Do not place the balance in a hazardous area. Do not weigh explosive materials.



Avoid air drafts and air movements at the workstation.

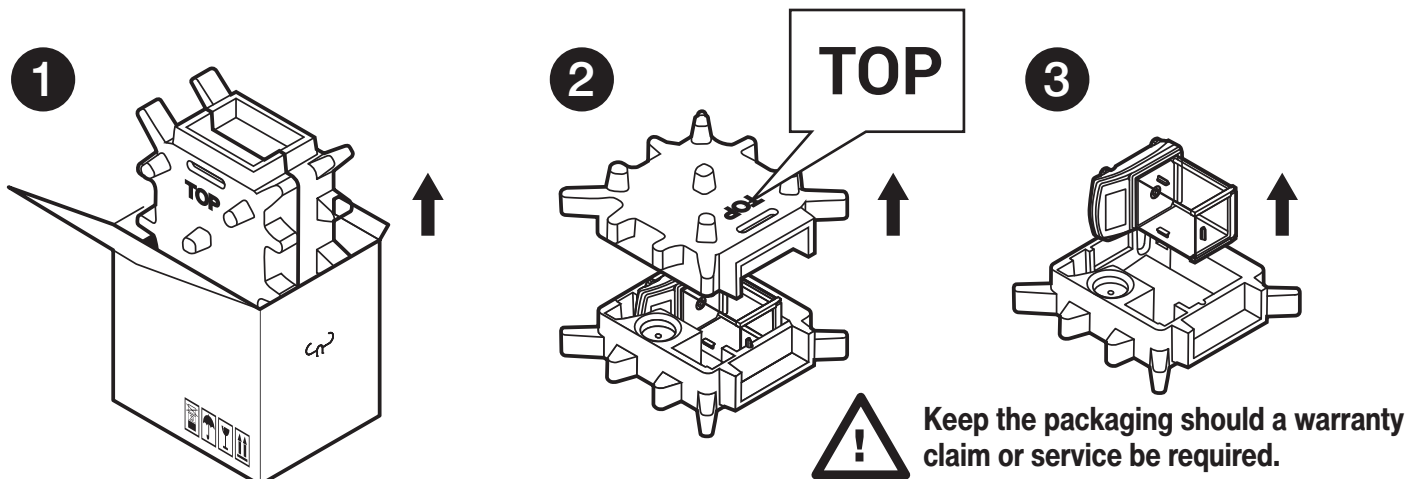


Make sure that the balance is placed on an even surface.



Do not place the balance on an unstable ground exposed to shocks and vibrations.

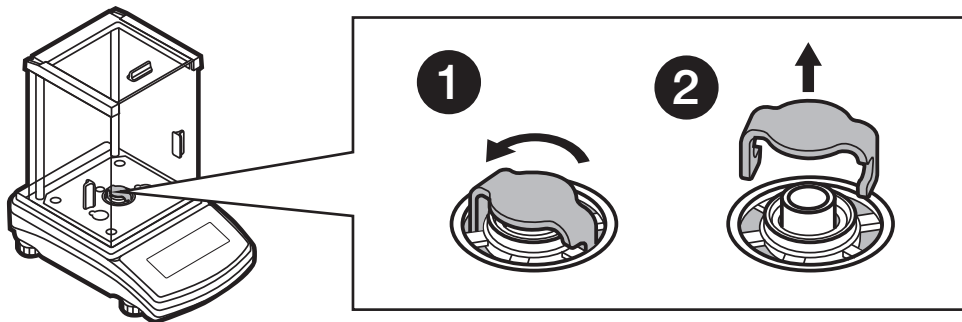
3. UNPACKING



4. ACTIVITIES TO BE DONE PRIOR TO OPERATION

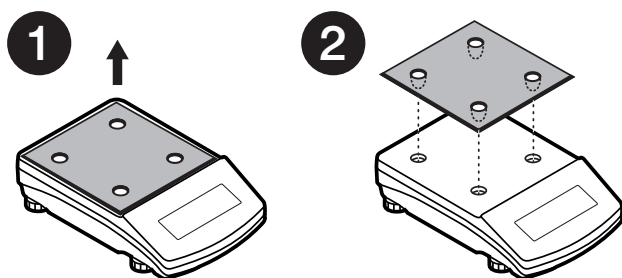
4.1. Remove transport lock

Models: VWR-225TC.N | VWR-224TC.N | VWR-314TC.N



Keep the transport lock should a warranty claim or service be required.

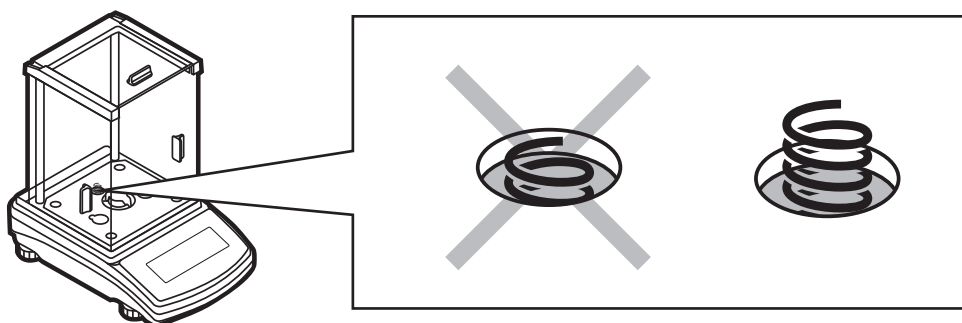
Models: VWR-363TC.N | VWR-1003TC.N | VWR-2102TC | VWR-4502TC.N | VWR-6002TC.N



Keep the transport lock should a warranty claim or service be required.

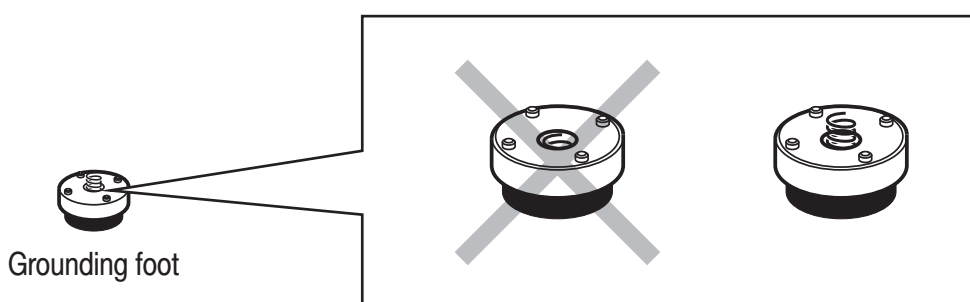
4.2. Grounding spring check

Models: VWR-225TC.N | VWR-224TC.N | VWR-314TC.N



Check the grounding spring. Make sure that the grounding spring juts slightly out of the hole.

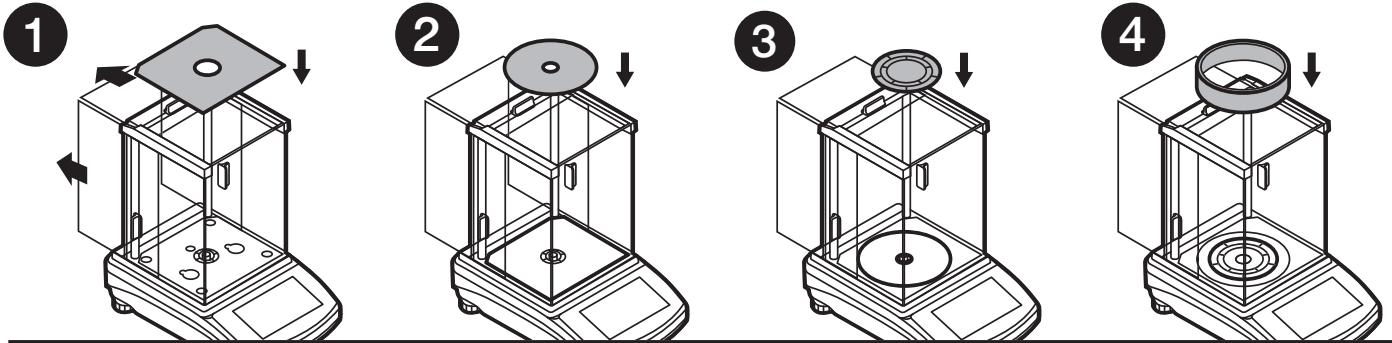
Models: VWR-363TC.N | VWR-1003TC.N | VWR-2102TC.N | VWR-4502TC.N | VWR-6002TC.N



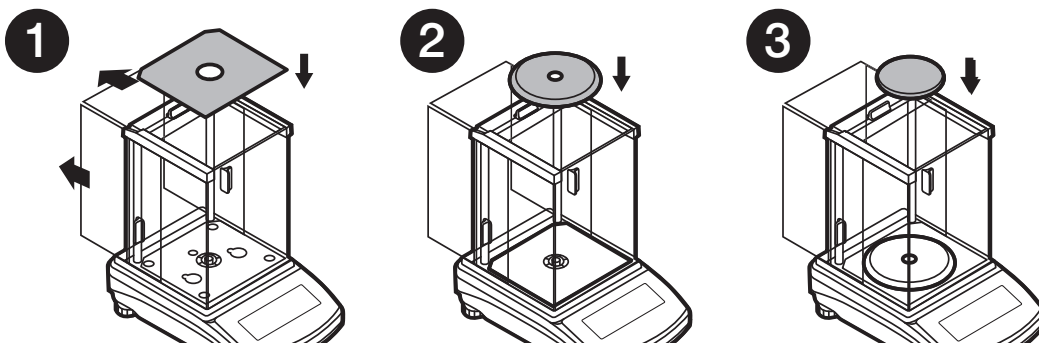
Check the grounding spring. Make sure that the grounding spring juts slightly out of the hole.

5. COMPONENTS ASSEMBLY

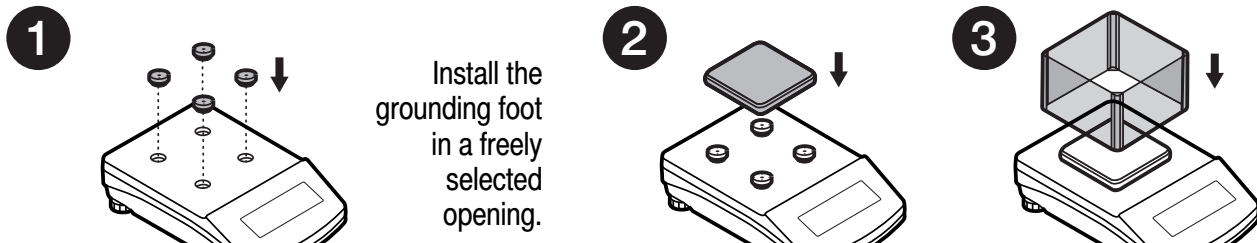
Models: VWR-225TC.N



Models: VWR-224TC.N | VWR-314TC.N



Models: VWR-363TC.N | VWR-1003TC.N

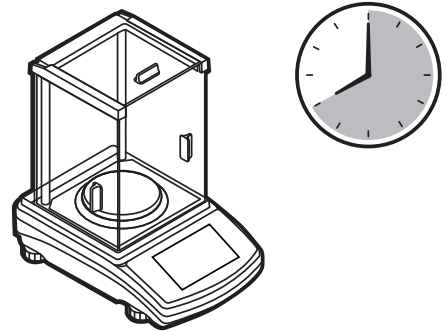
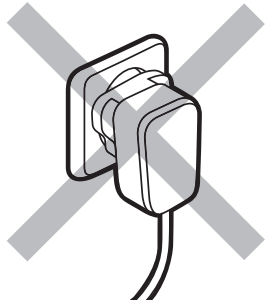


Models: VWR-2102TC.N | VWR-4502TC.N | VWR-6002TC.N



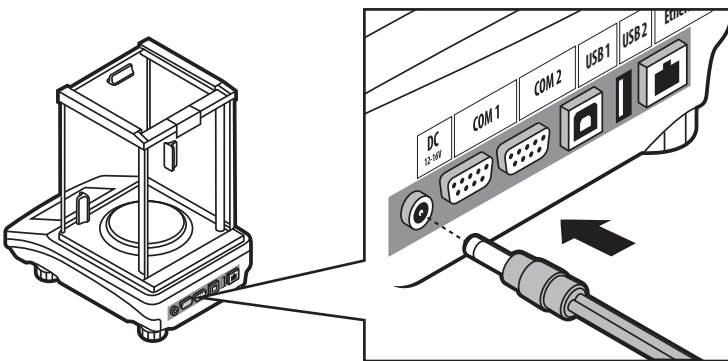
6. PREPARING FOR WORK

6.1. Balance temperature stabilization time

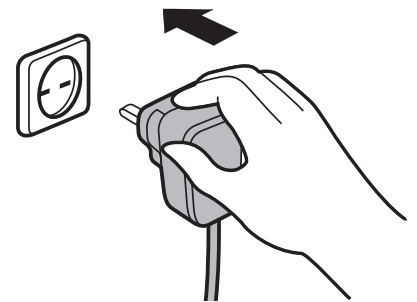


Prior to switching the device on it is necessary to ensure that it has reached a temperature equal to room temperature.

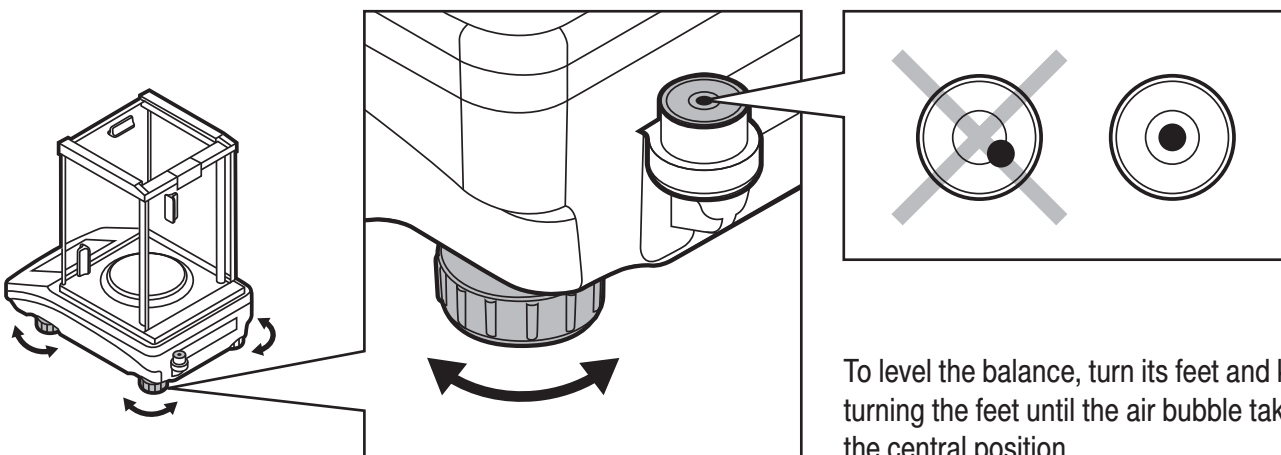
Balance temperature stabilization time ranges between 1 - 8 hours.



Connect the power adapter to DC connector.



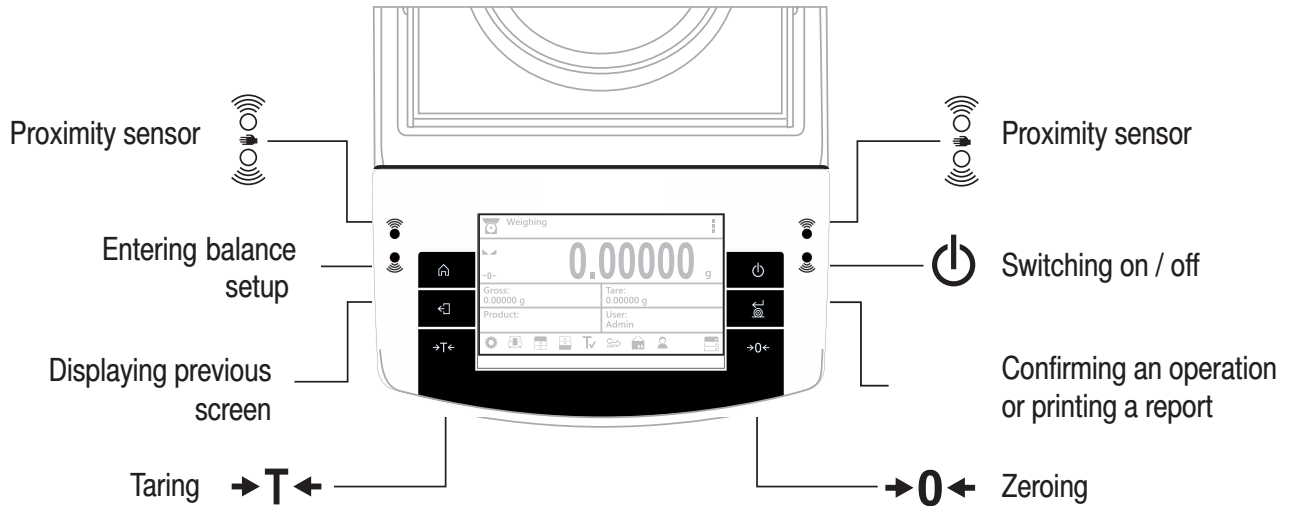
Connect the power adapter to the mains.



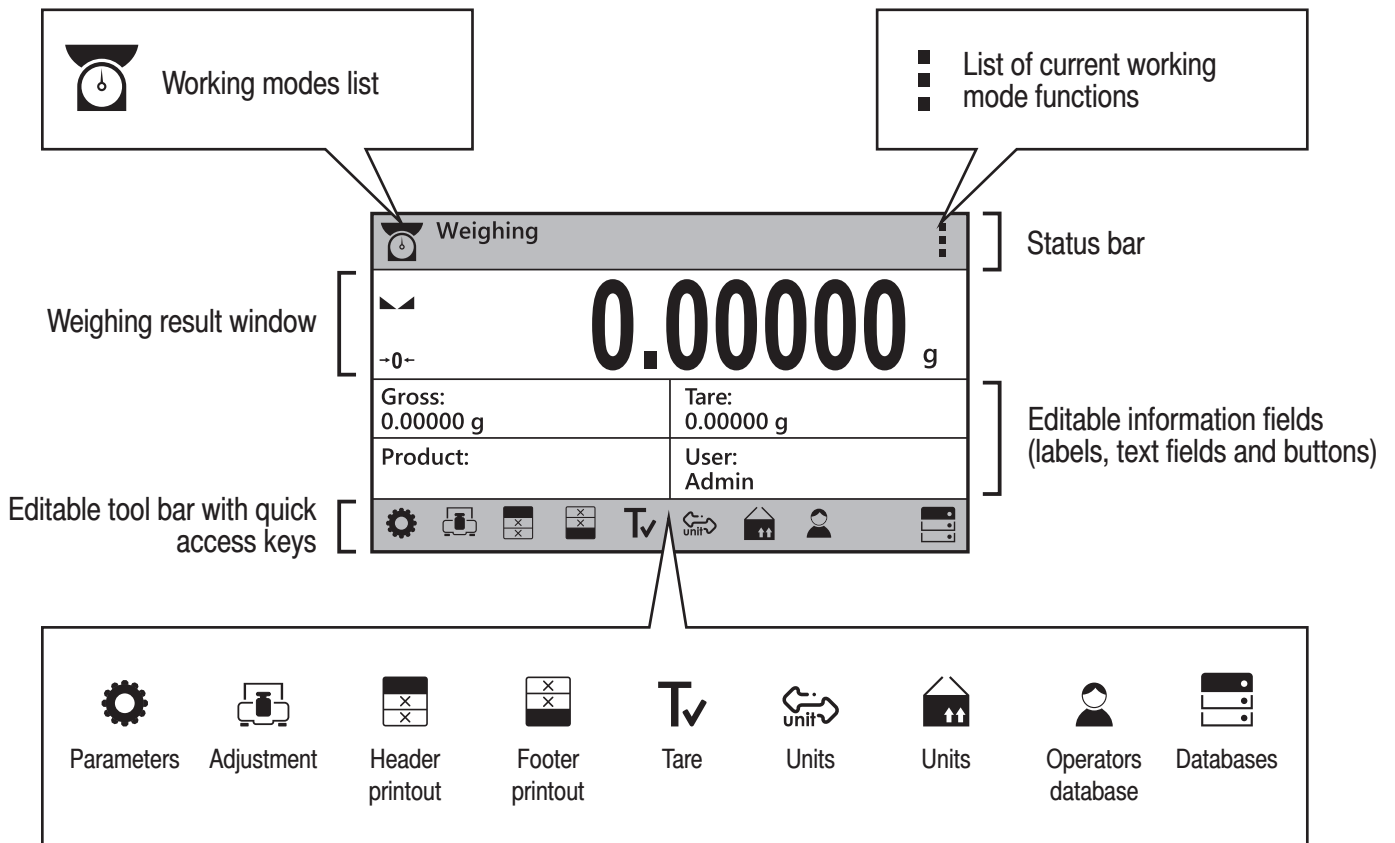
To level the balance, turn its feet and keep turning the feet until the air bubble takes the central position.

7. PANEL AND SCREEN

7.1. Panel keys

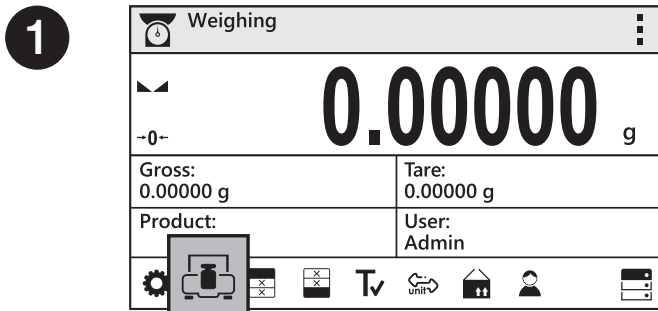


7.2. Home screen

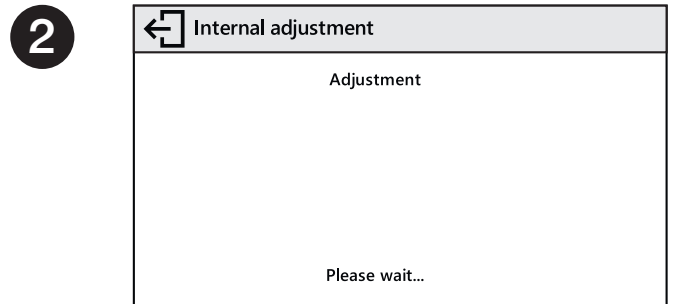


8. BASIC OPERATIONS

8.1. Adjustment

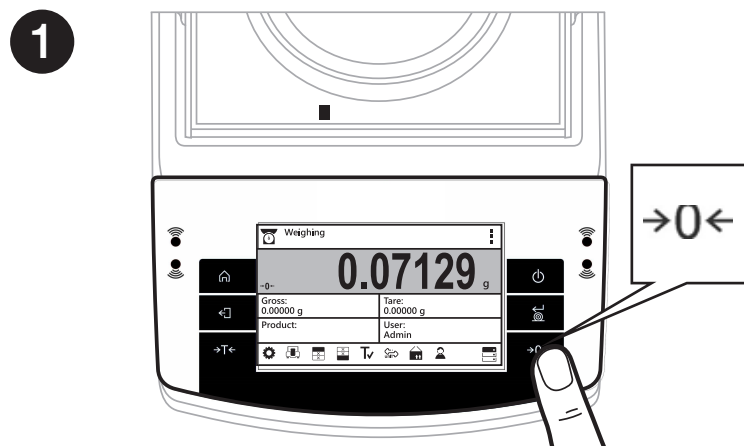


Press "Adjustment" button.

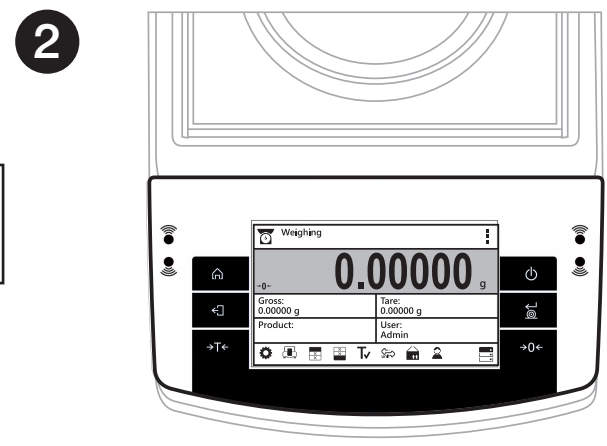


Wait for the process completion.

8.2. Zeroing

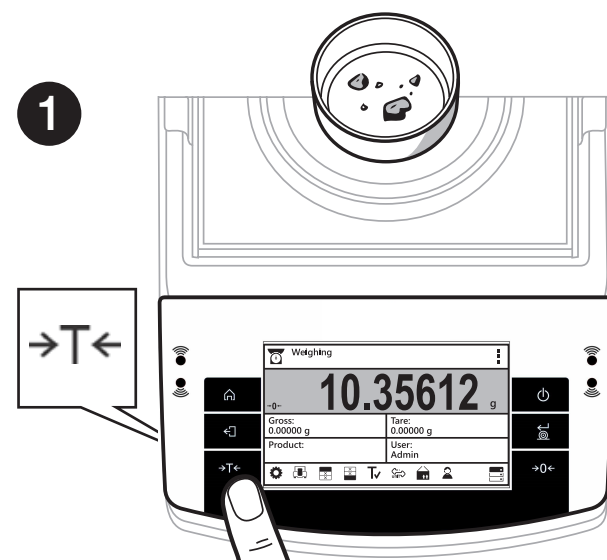


Unload the weighing pan and press "Zeroing" button.

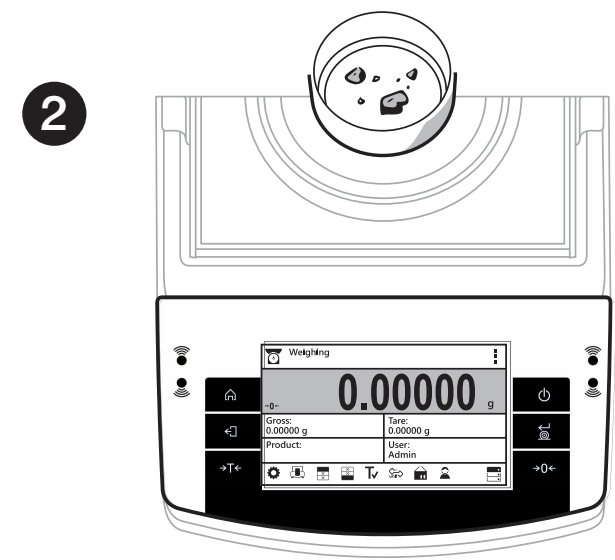


The balance has been zeroed.

8.3. Taring

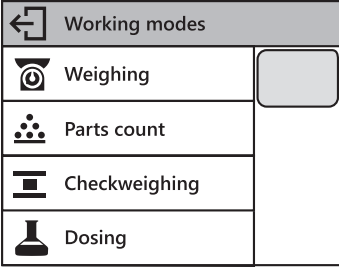


When the weighing result has been displayed press "Tare" button.



The balance has been tared.

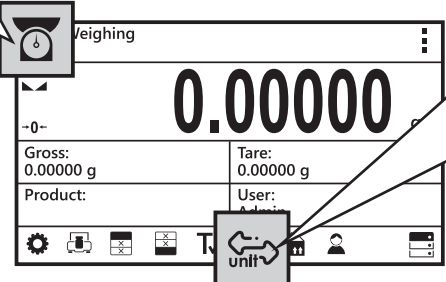
8.4. Working modes / units selection



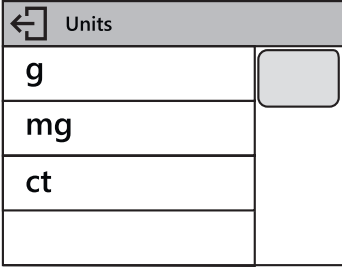
Working modes list:

Weighing	Parts counting
Dosing	Animal weighing
Checkweighing	Solids density
Formulas	Liquids density
Percent weighing	Peak hold
Statistics	

Press the pictogram to view list of all available working modes.



Press the pictogram to view list of all available units.



Units list:

- g
- mg
- ct

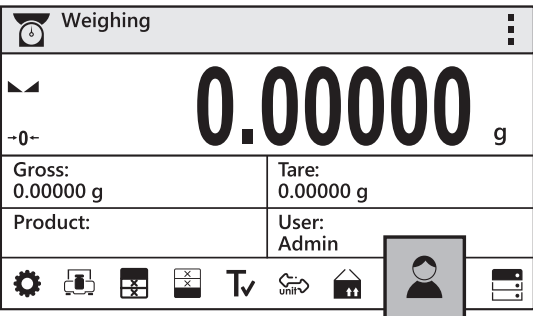
9. SETTINGS



Some balance settings are accessible for Administrator exclusively.
Prior balance parameters setup, log in as the Administrator.

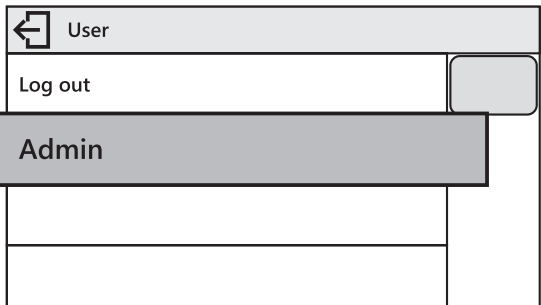
9.1. Administrator's login

1



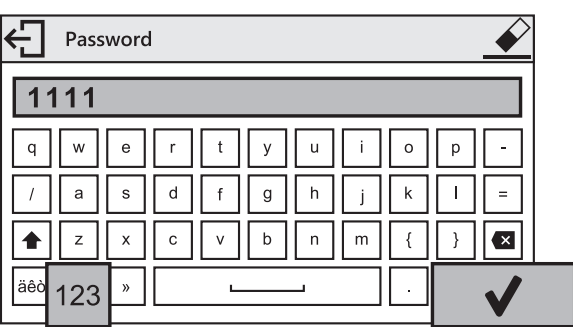
Press "Operators" button.

2



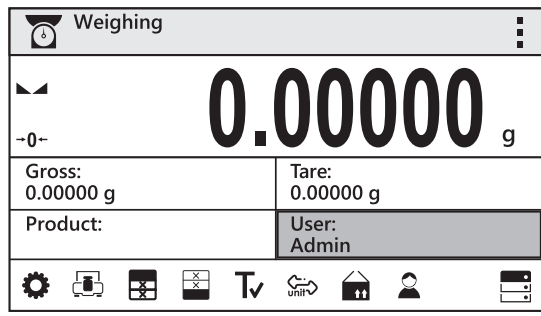
Users list is displayed, select Admin option.

3



Press [123] button to activate numeric keyboard. Enter "1111" password and press [✓] button to confirm.

4



You have logged in the administrator.

9.2. User settings



Prior balance users setup, log in as the Administrator.

1

Press "Databases" button.

2

Select Operator database.

3

Press "Add" button.

4

Select "Name" parameter.

5

Enter user name.

6

User name has been entered.

7 Following the above procedure, set remaining parameters:

Code:

Enter user ID

Password:

Enter user password

Access levels:

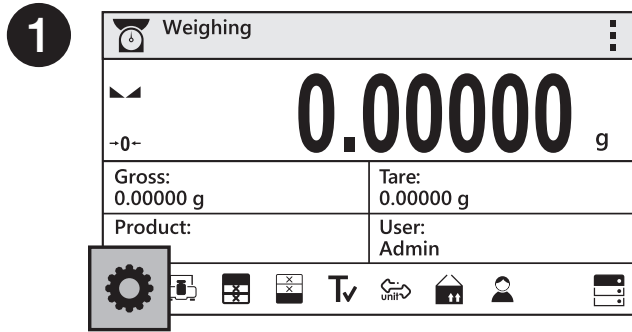
Set respective access level (user, advanced, admin)

9.3. Proximity sensors setup

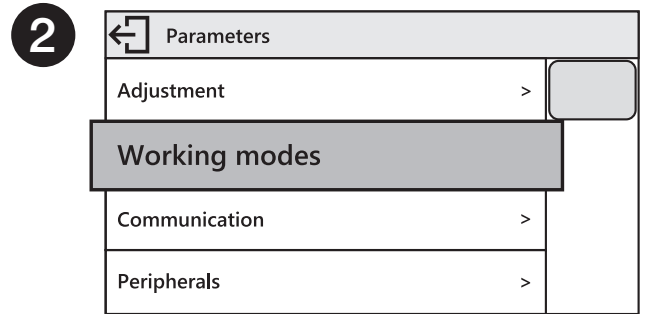


Prior proximity sensors setup, log in as the Administrator.

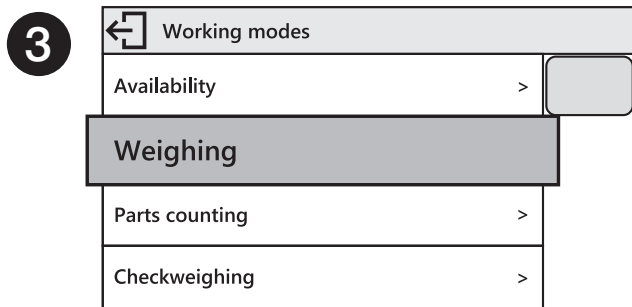
You can assign the proximity sensors with different functions for each working mode (the sensors will trigger different operation for each working mode). The diagram presents sensors setup for the weighing mode.



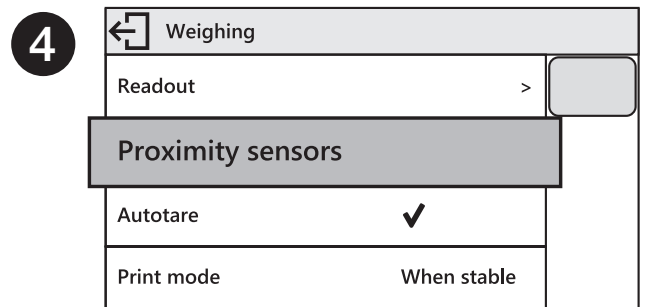
Press "Parameters" button.



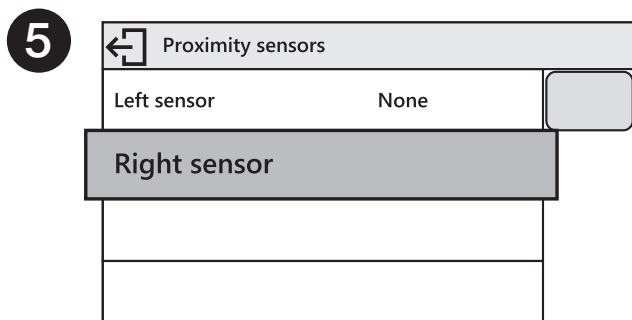
Parameters list is displayed, select Working Modes parameter.



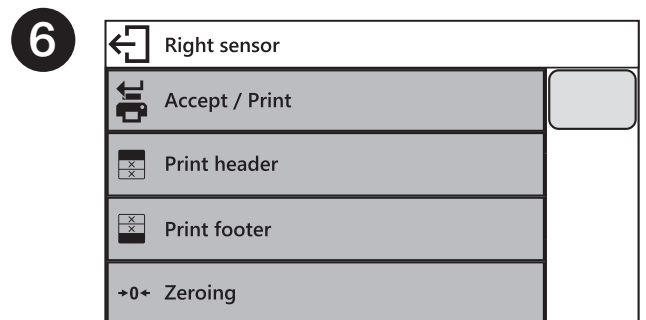
Select Weighing parameter.



Select Proximity Sensors parameter.



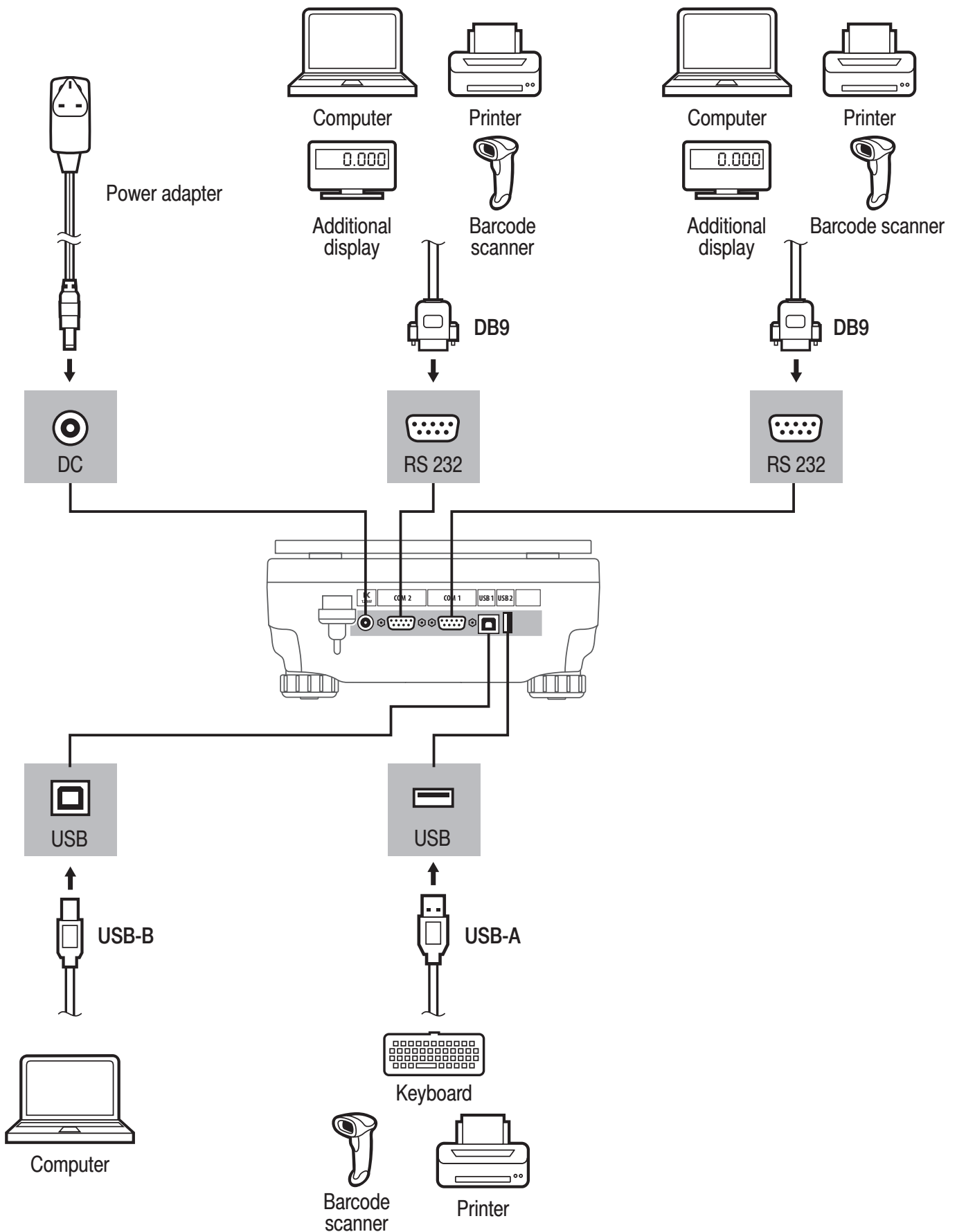
Select Right Sensor parameter.



Select function that is to be assigned to the right proximity sensor.

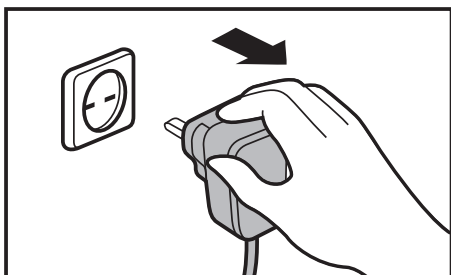
In order to set left sensor function repeat steps 5 and 6, this time select Left Sensor parameter. Following the above procedure you can also set sensors for remaining working modes.

10. PERIPHERAL DEVICES CONNECTORS

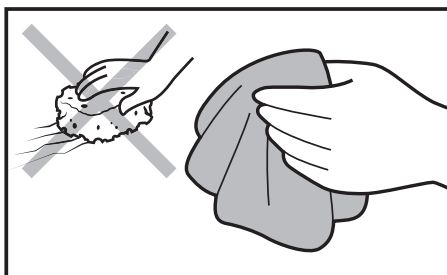


11. DEVICE CLEANING

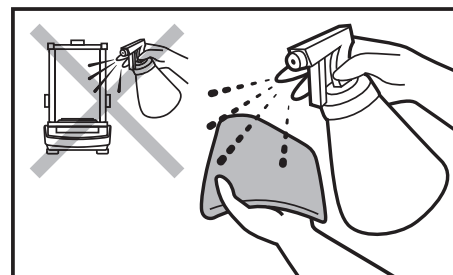
11.1. General Recommendations



Prior to cleaning, it is necessary to disconnect the balance from the mains.



Use soft cloths made of microfiber, natural fiber or man-made fiber. Avoid using abrasive cloths or cloths that might scratch the surface.



Apply the cleanser onto the cloth first. Avoid applying the cleanser directly onto the device.

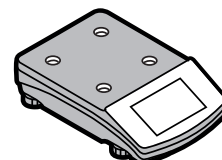


Avoid using cleansers containing chlorine, corrosive chemicals and bleach. Do not use cleansers containing abrasive substances or scouring preparations.

11.2. Plastic components

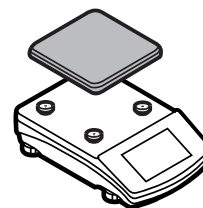
Prior to cleaning the plastic housing, it is necessary to disassemble weighing pan components (cover, weighing pan, etc.).

Clean plastic components using a solution of water and detergent (liquid soap, dish-washing detergent, glass cleaner, etc.).



11.3. Stainless steel components

Prior to cleaning the stainless steel components, it is necessary to disassemble them first.



Clean stainless steel components using a solution of water and detergent (liquid soap, dish-washing detergent, glass cleaner, etc.). In case of heavy contamination, a mild solution of vinegar or baking soda can be used.

