

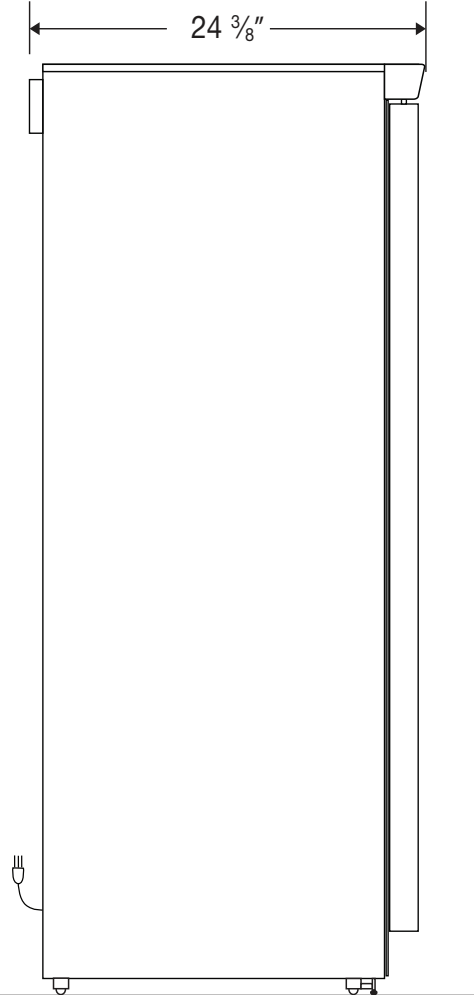
Exterior



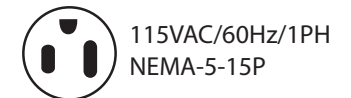
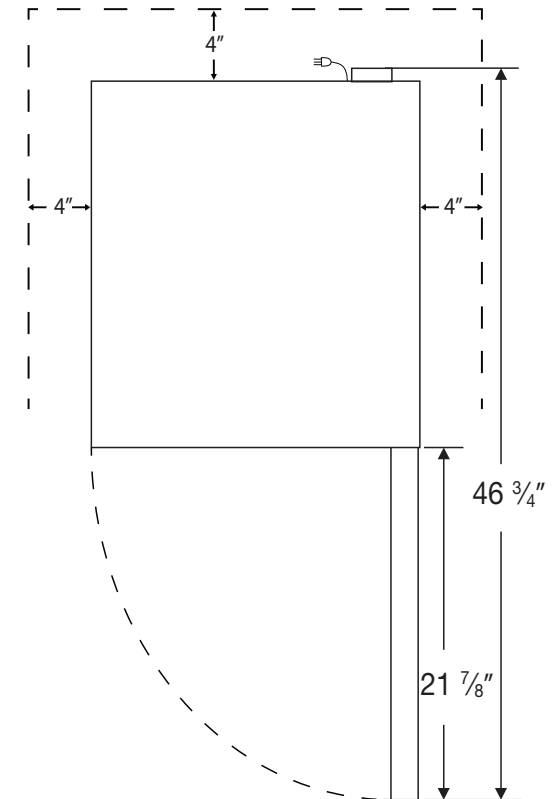
Front View



Side View



Top View



NOTE: Ventilation Requirements – Minimum 4" clearance on sides and back

Cat# 76579-142/VWR-HC-FFP-14

Cu.Ft.	Defrost	Door	Int Door	Shelves	W"	D"	H"	Refrigerant	H.P.	Amps	Weight
14	Manual	1 Solid	0	6 Fixed	$23 \frac{5}{8}$	$24 \frac{3}{8}$	73	R290	$\frac{1}{3}$	3.5	165 lbs.