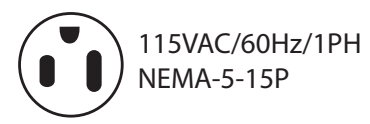
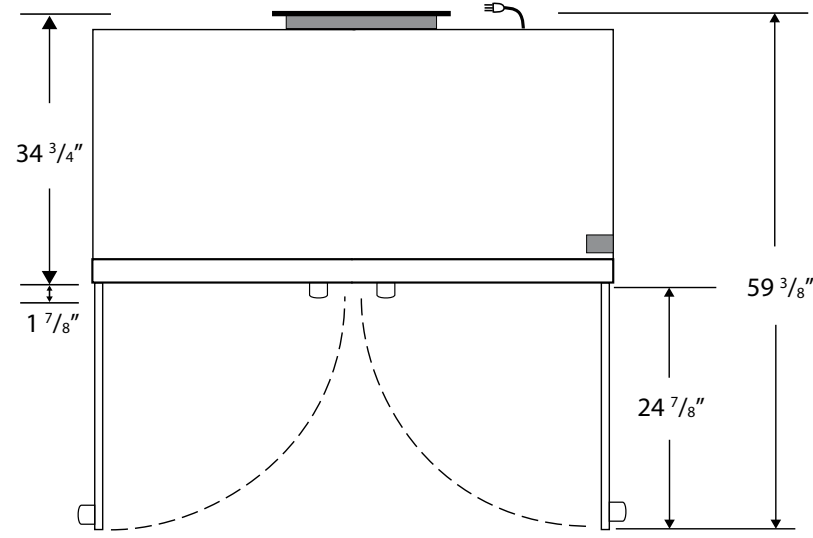
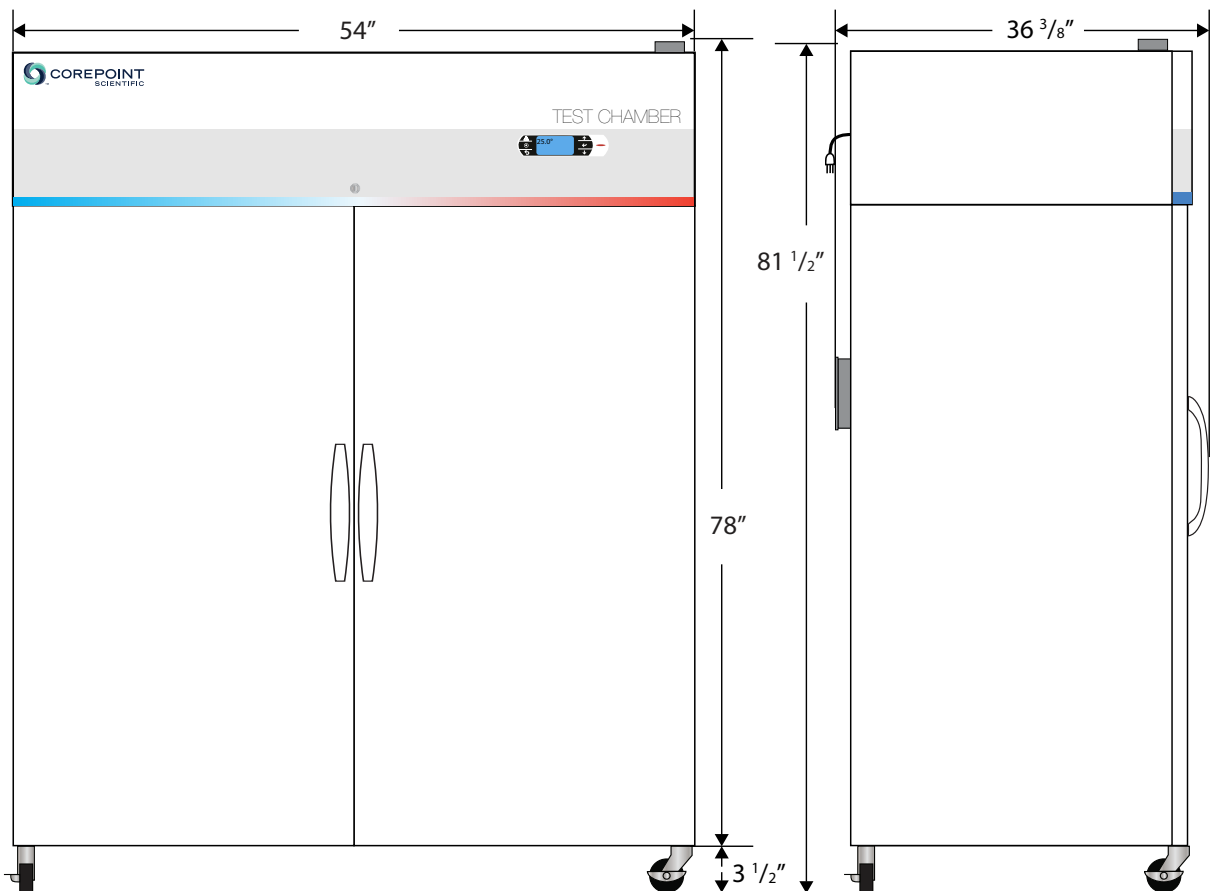


Front View

Side View

Top View



Cu. Ft	Door	Int Door	Shelves	W"	D"	H"	Refrigerant	H.P.	Amps	Weight
49	2 Solid	0	6 Adj. Sliding	54	36 3/8	81 1/2	R600a	1/3	12	480 lbs.