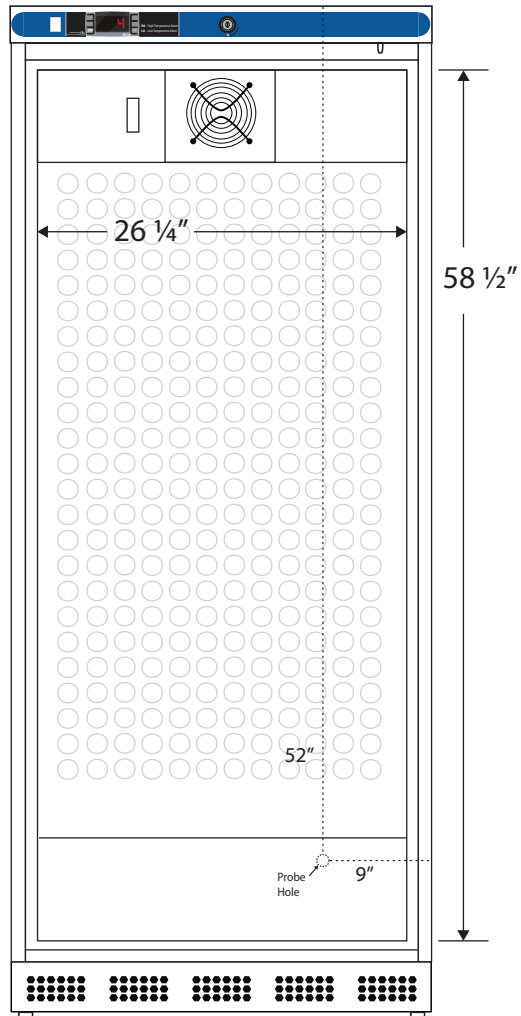


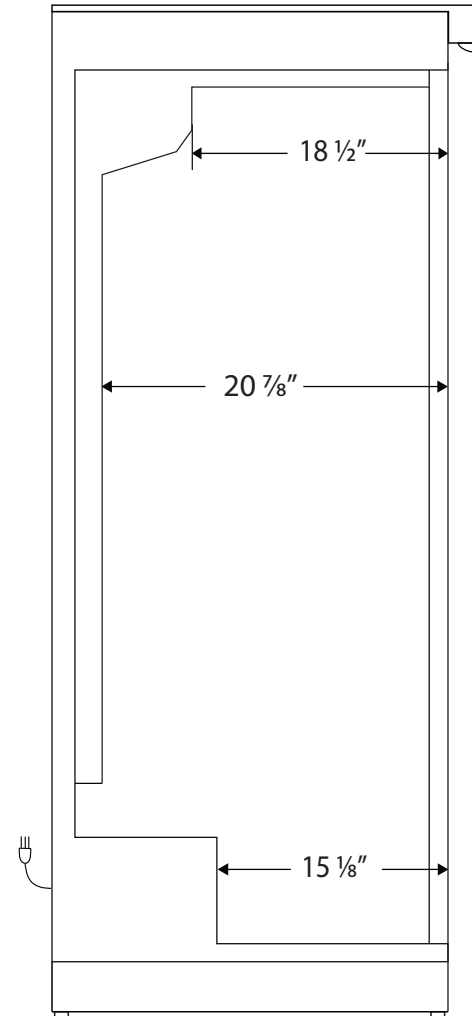
Interior



Front View



Side View


 115VAC/60Hz/1PH
 NEMA-5-15P

Cat# 76580-188/VWR-HC-RFP-17

Cu.Ft.	Defrost	Door	Int Door	Shelves	W"	D"	H"	Refrigerant	H.P.	Amps	Weight
17	Cycle	1 Solid	0	5 Adj.	26 1/4	20 7/8	58 1/2	R600a	1/4	3	210 lbs.