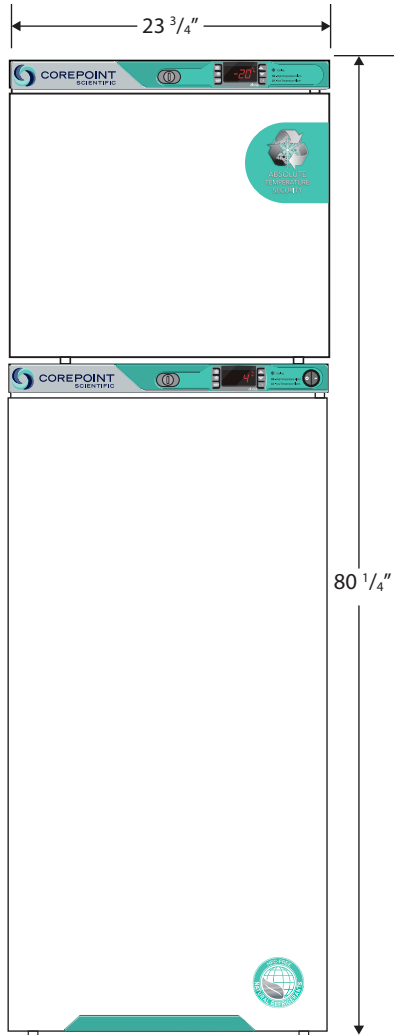
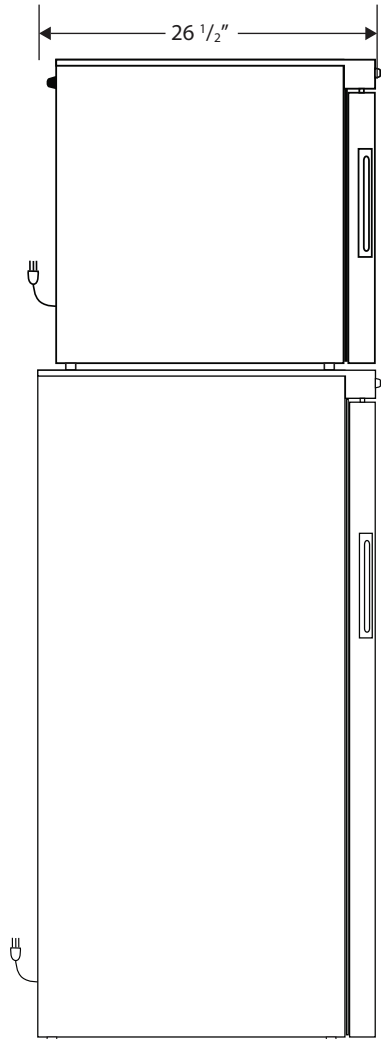


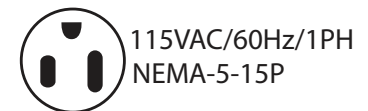
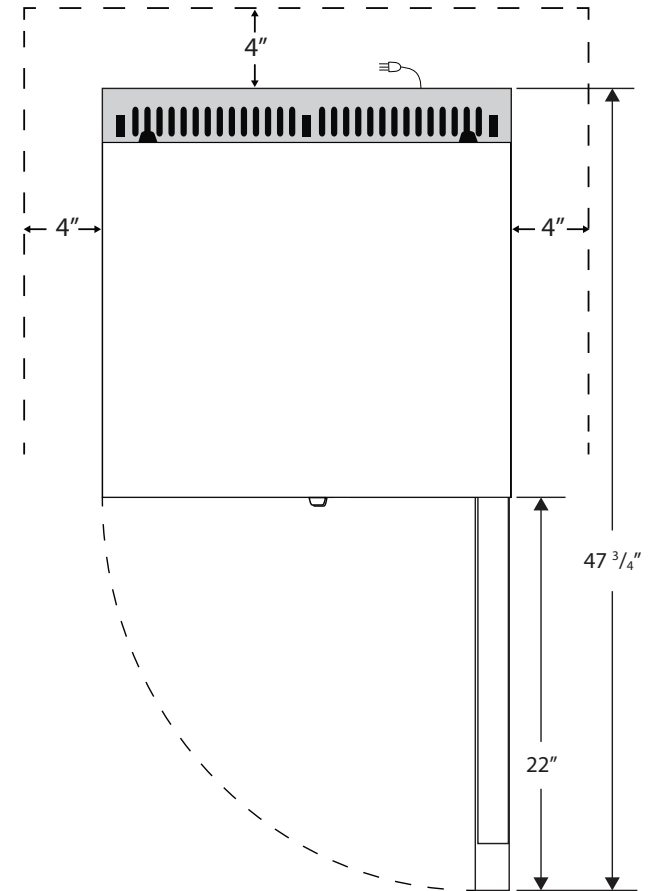
Front View



Side View



Top View



**NOTE: Ventilation Requirements – Minimum 4" clearance on sides and back**

| Compartment  | Cu. Ft | Defrost         | Door    | Int Door | Shelves | W"     | D"     | H"     | Refrigerant | H.P. | Amps | Weight   |
|--------------|--------|-----------------|---------|----------|---------|--------|--------|--------|-------------|------|------|----------|
| Freezer      | 1      | Controlled Auto | 1 Solid | 0        | 2 Adj.  | 23 3/4 | 26 1/2 | 80 1/4 | R600a       | 1/8  | 1    | 219 lbs. |
| Refrigerator | 10.5   | Cycle           | 1 Solid | 0        | 6 Adj.  |        |        |        |             | 1/3  | 2.3  |          |