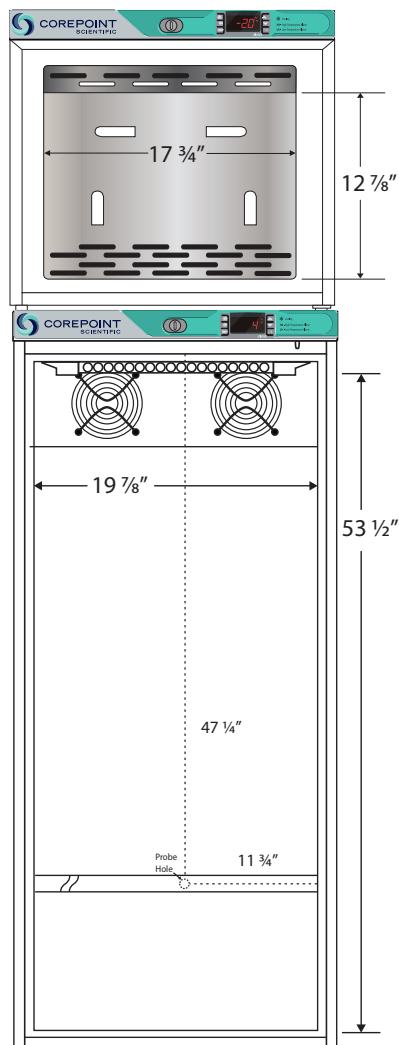
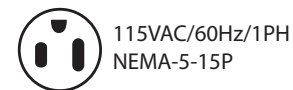
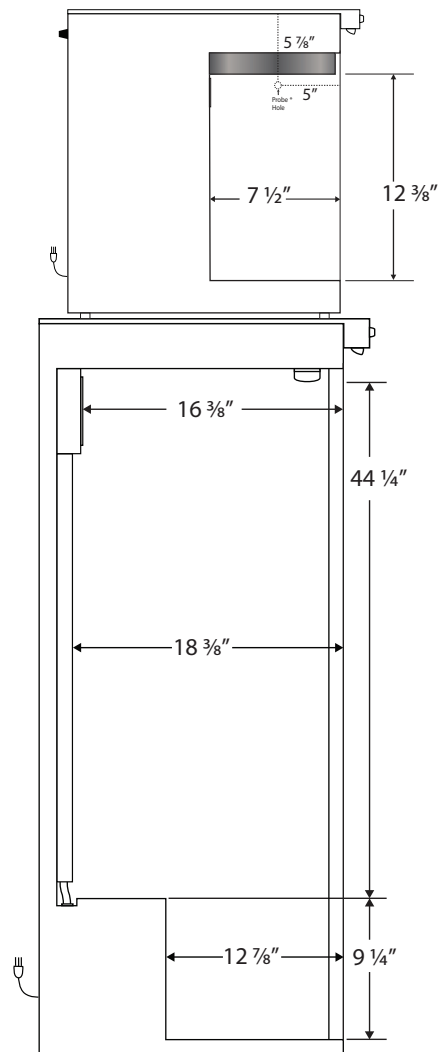


Front View



Side View



Compartment	Cu. Ft	Defrost	Door	Int Door	Shelves	Interior Dim.			Refrigerant	H.P.	Amps	Weight
						W"	D"	H"				
Freezer Refrigerator	1 10.5	Controlled Auto Cycle	1 Solid 1 Solid	0 0	2 Adj. 6 Adj.	17 3/4 19 7/8	7 1/2 18 3/8	12 3/8 53 1/2	R600a	1/8 1/3	1 2.3	219 lbs.

Note: Interior dimensions are estimates and subject to change without notice