
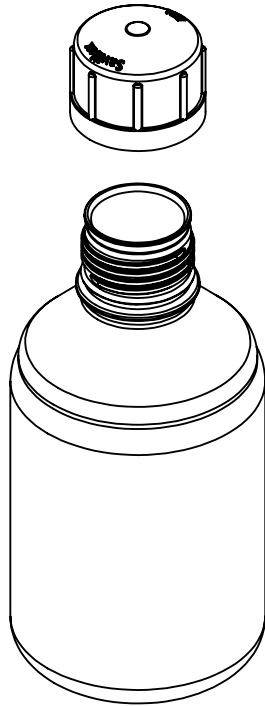
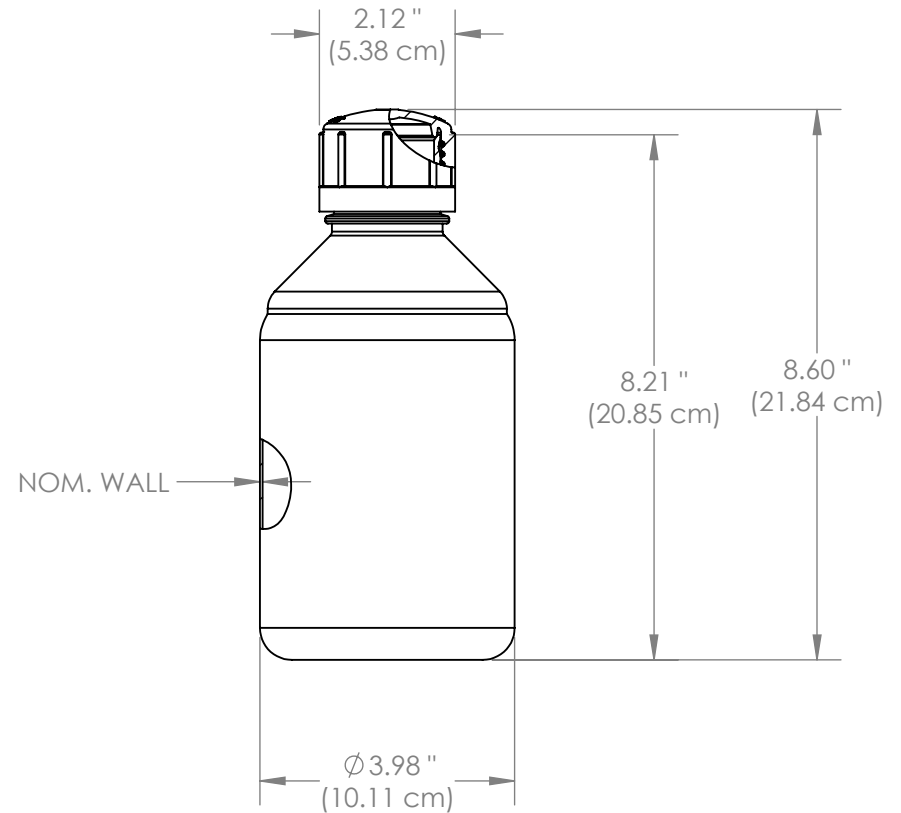


NOMINAL CAPACITY	1000 mL	33.8 oz.	
OVERFLOW CAPACITY	1200 mL	40.6 oz.	
MATERIALS	CAP	VIRGIN PFA	CAS #2655-00-5
	BOTTLE	VIRGIN PFA	CAS #2655-00-5
THREAD		GL45	
NOMINAL WEIGHT	CAP	56 g	0.12 LBS.
	BOTTLE	242 g	0.53 LBS.
	TOTAL	298 g	0.66 LBS.
OPENING I.D.	1.46"	3.71 cm	
NOMINAL WALL	.040"	.10 cm	
MANUFACTURING ENVIRONMENT	CLASS 10,000 (ISO 7)		
BOTTLE MARKINGS	SAVILLEX 1000 mL OTHER PFA 		
CAP MARKINGS	SAVILLEX PFA		
PACKAGING	INDIVIDUALLY CAPPED AND LDPE BAGGED		
LABEL ON PACKAGING	PART NUMBER: 150-01-1000 QTY: 1 MFG. LOT: _____		
CAP TORQUE	MINIMUM: HAND TIGHT RECOMMENDED: 35 IN-LB		
USP CLASS VI CERTIFIED	YES		
ADCF	CERTIFIED FREE OF ANIMAL DERIVED COMPONENTS		
AUTOCLAVABLE: 121°C	YES		



Purillex




NOTES:

1. ALL DIMENSIONS ARE NOMINAL AND IN INCHES AND CENTIMETERS UNLESS OTHERWISE NOTED.
2. THIS IS NOT A PRODUCTION DRAWING BUT IS FOR INFORMATIONAL PURPOSES ONLY AND IS SUBJECT TO CHANGE WITHOUT NOTICE.

PROPRIETARY AND CONFIDENTIAL

THE INFORMATION CONTAINED IN THIS DRAWING IS THE SOLE PROPERTY OF SAVILLEX CORPORATION. ANY REPRODUCTION IN PART OR AS A WHOLE WITHOUT THE WRITTEN PERMISSION OF SAVILLEX CORPORATION IS PROHIBITED.

UNLESS OTHERWISE SPECIFIED:	NAME	DATE		10321 West 70th St. Eden Prairie, MN 55344-3446 USA (952)935-4100
DIMENSIONS ARE IN INCHES	DRAWN			
TOLERANCES:	ENG. APPR.		TITLE: 1000 mL, PFA, BOTTLE SPECIFICATIONS	SIZE A
FRACTIONAL ± 1/32"	TOOL APPR.			
ANGULAR: ± .5 DEG.	MFG APPR.			
TWO PLACE DECIMAL ± .020"	Q.A.			
THREE PLACE DECIMAL ± .005"	COMMENTS:		PART NUMBER: 150-01-1000	DWG. NO. 300650-C
MATERIAL			SCALE: 1:3	WEIGHT: LBS.
FINISH				SHEET 2 OF 2
DO NOT SCALE DRAWING				