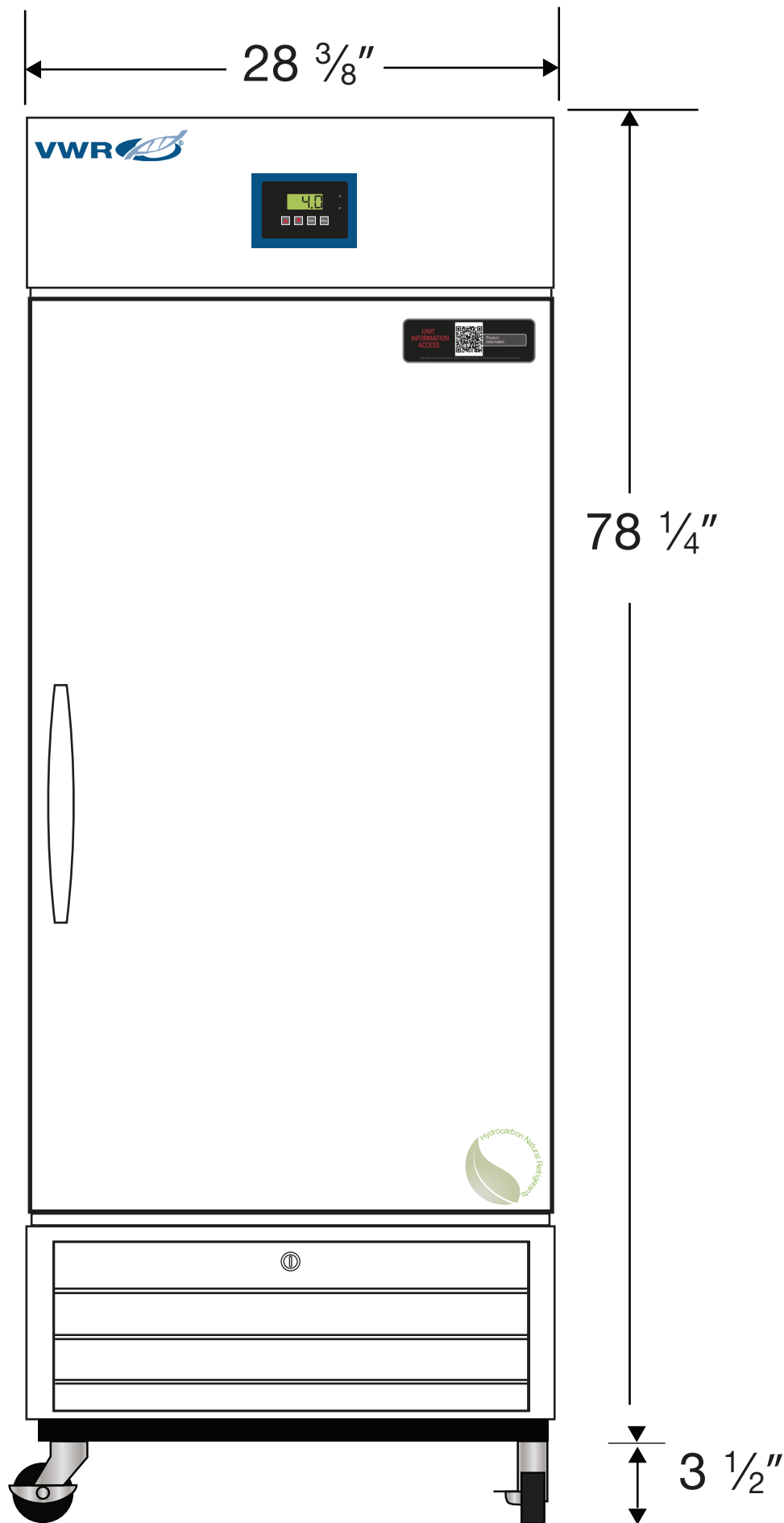


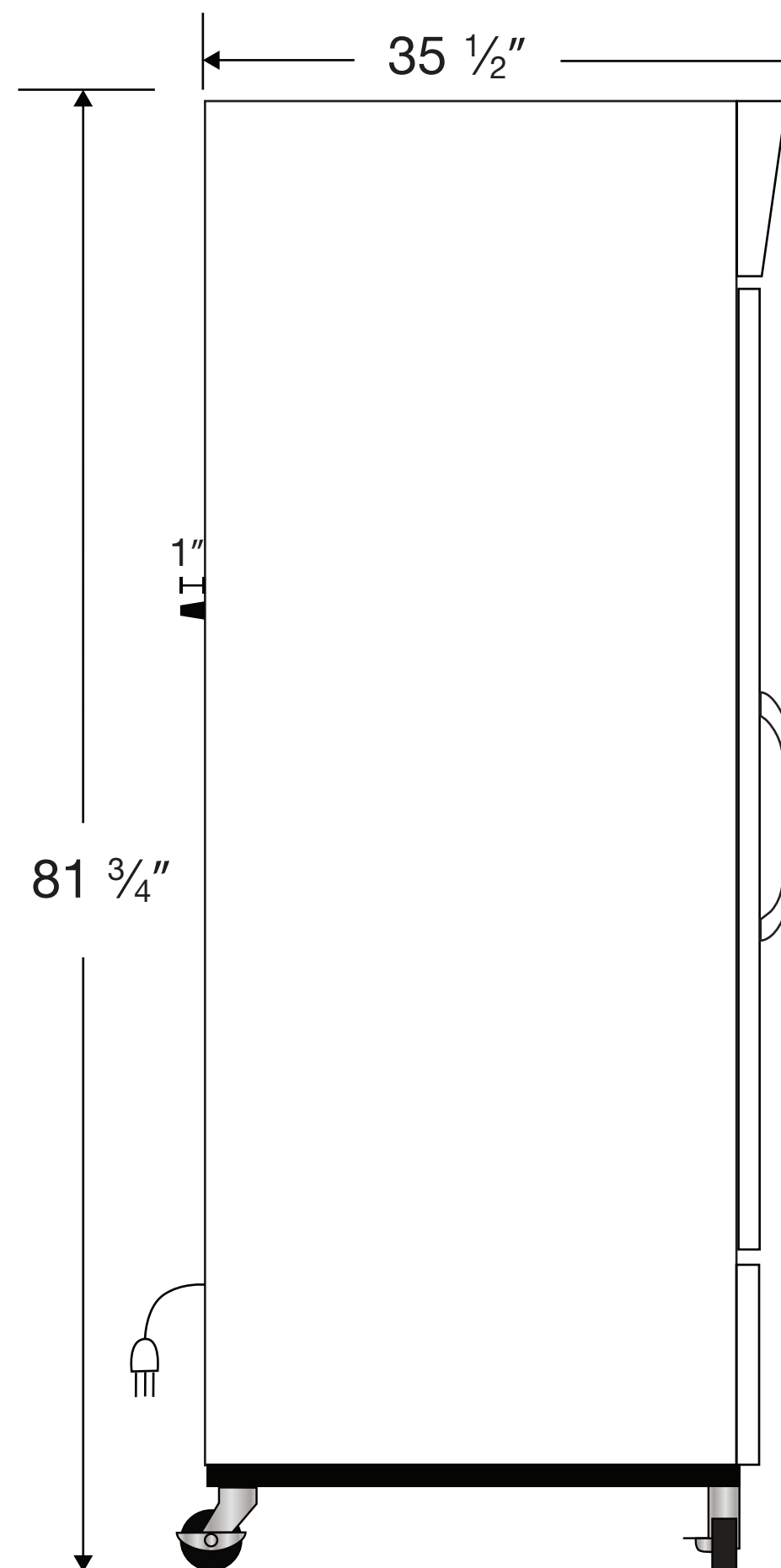
Exterior



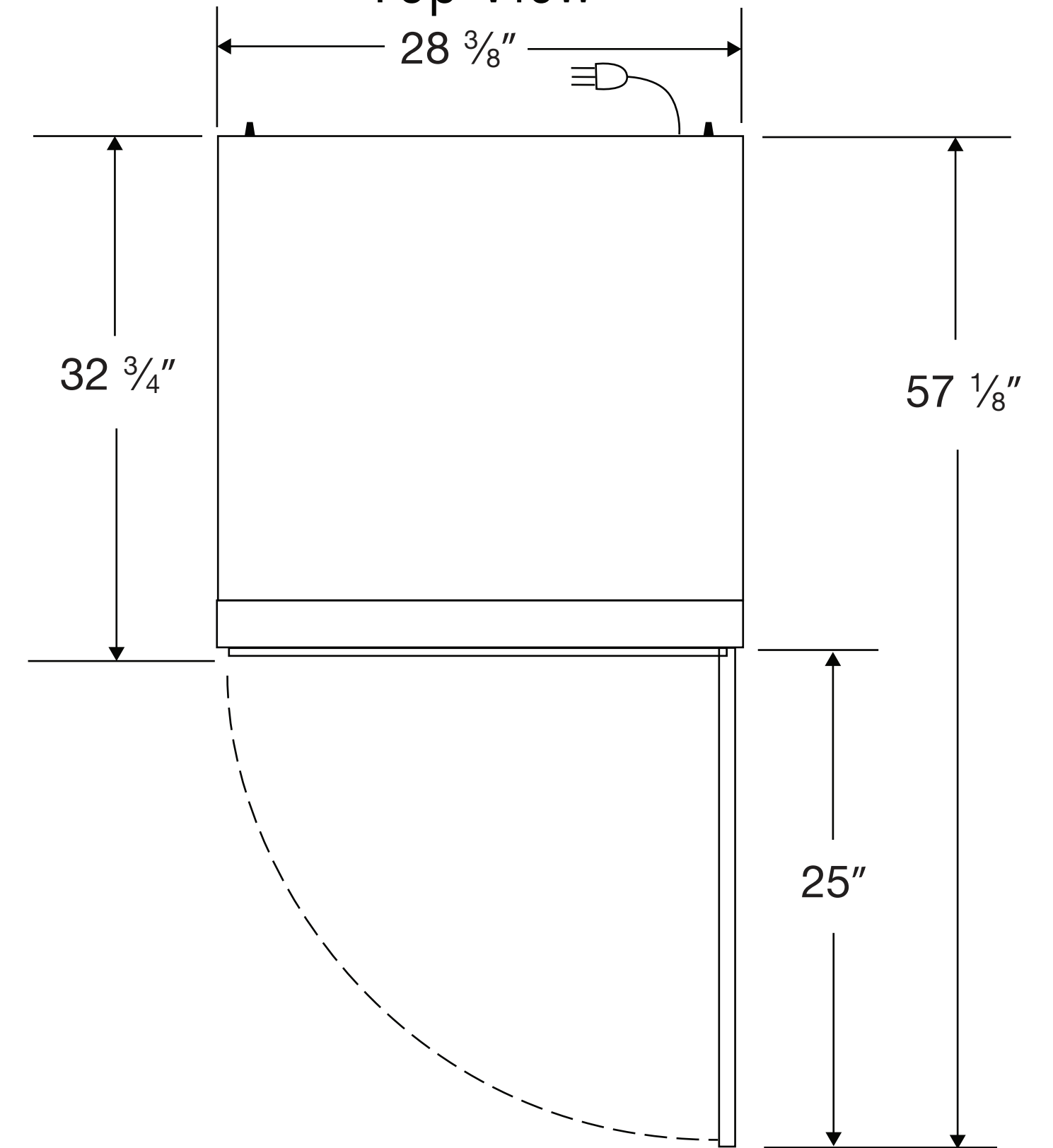
Front View



Side View



Top View


Cat# 76579-114/VWR-HC-26S

 115VAC/60Hz/1PH
NEMA-5-15P

Cu.Ft.	Defrost	Door	Int Door	Shelves	W"	D"	H"	Refrigerant	H.P.	Amps	Weight
26	Cycle	1 Solid	0	4 Adj.	$28 \frac{3}{8}$	$36 \frac{1}{2}$	$81 \frac{3}{4}$	R290	$\frac{1}{5}$	3	235 lbs.