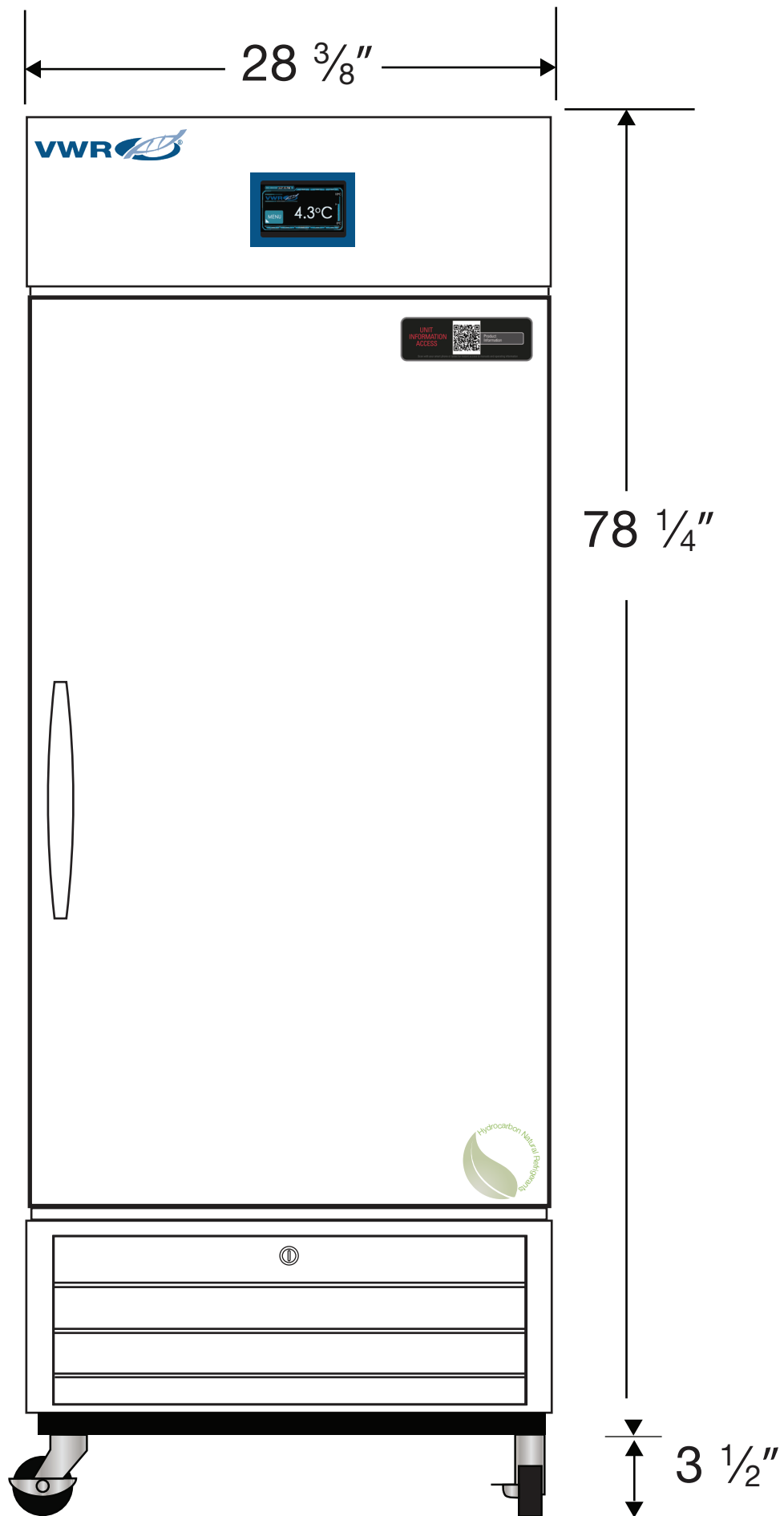


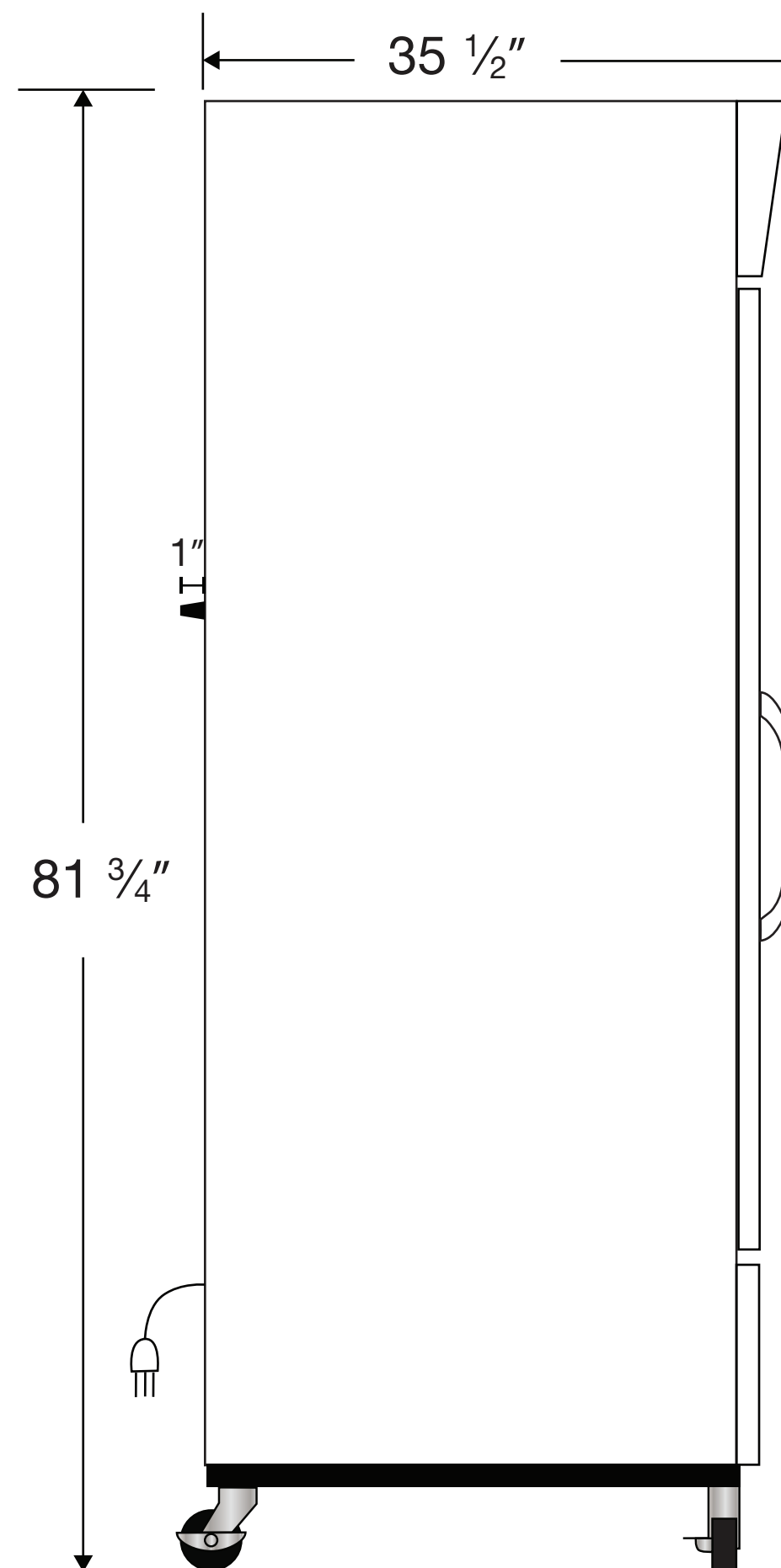
Exterior



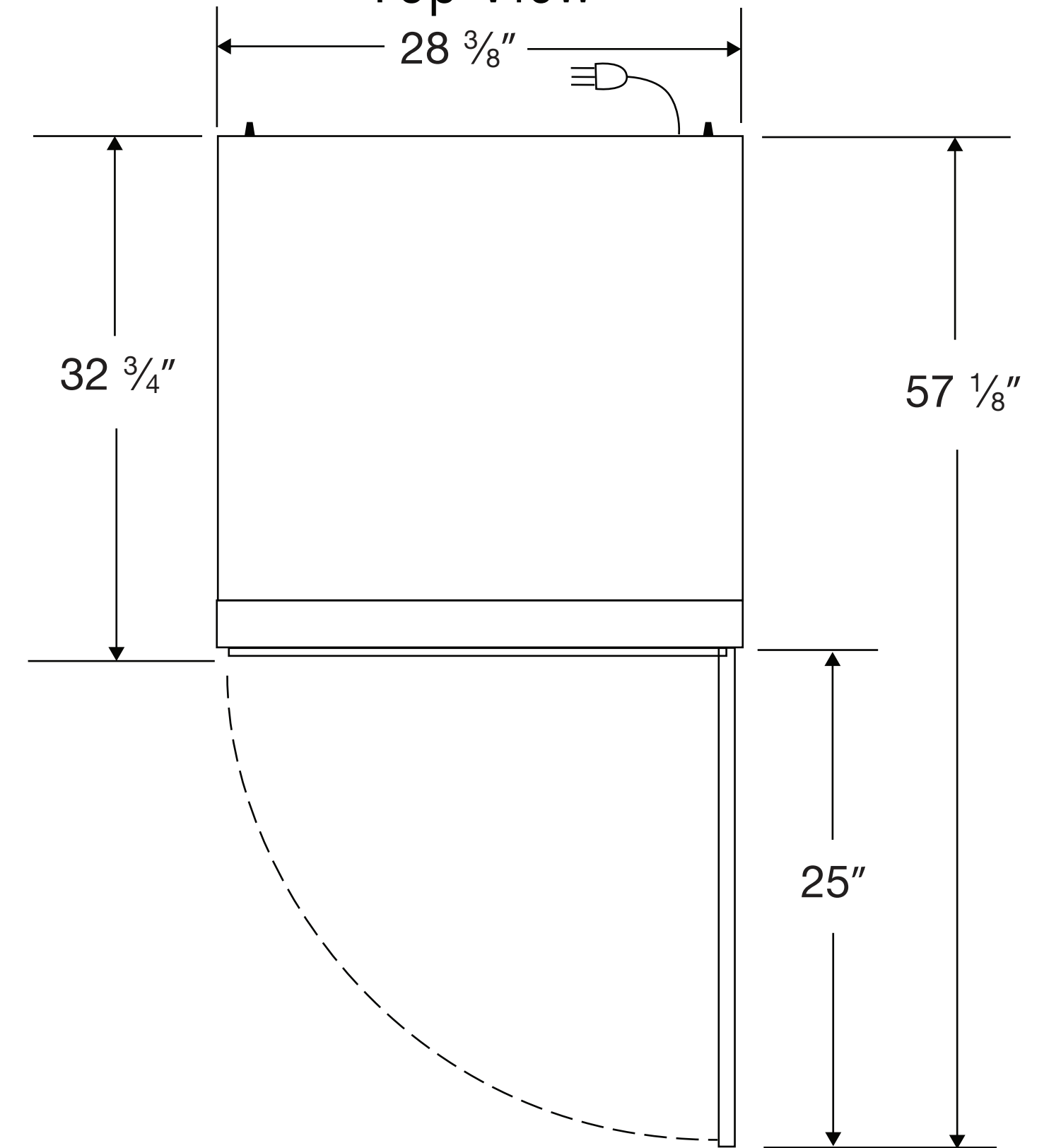
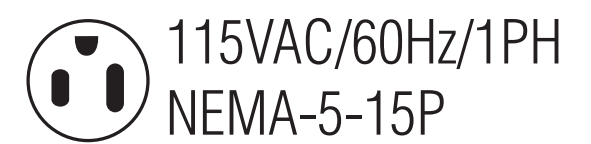
Front View



Side View



Top View


Cat# 76579-116/VWR-HC-26S-TS

 115VAC/60Hz/1PH
NEMA-5-15P

Cu.Ft.	Defrost	Door	Int Door	Shelves	W"	D"	H"	Refrigerant	H.P.	Amps	Weight
26	Cycle	1 Solid	0	4 Adj.	28 ³ / ₈	36 ¹ / ₂	81 ³ / ₄	R290	¹ / ₅	3	235 lbs.