	Document Number	Revision	Page	Date
	CFT001	A0	1 of 1	10-20-2013
<b>PRODUCT DATA SHEET</b>		<b>Light Sensitive Centrifuge Tubes</b>		

### 1: Material:

Tube: PP (Polypropylene) Color: Amber

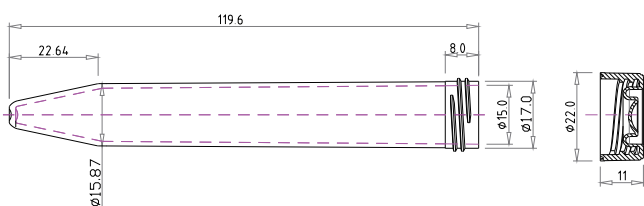
Cap: HDPE (High Density Polyethylene) Color: White



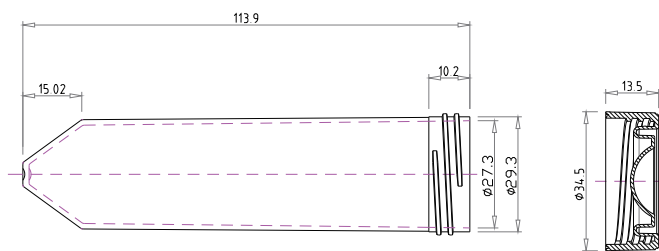
### 2: Related Catalog Numbers:

Cat. No.	Capacity (ml)	Maximum RCF	Tube Color	Cap Shape	Tube Shape	Sterilization	Packaging Configuration
10026-088	15ml	12,500g	Amber	Plug cap	Conical-Bottom	Yes	25/RACK 2 RACKS/PK 500/CS
10026-090	15ml	12,500g	Amber	Plug cap	Conical-Bottom	Yes	50/BAG 10 BAG/CS 500/CS
10026-092	15ml	12,500g	Amber	Plug cap	Conical-Bottom	No	Bulk 500/CS
10026-094	50ml	12,500g	Amber	Plug cap	Conical-Bottom	Yes	25/RACK 20 RACKS/CS 500/CS
10025-682	50ml	12,500g	Amber	Plug cap	Conical-Bottom	Yes	50/BAG 10 BAGS/CS 500/CS
10025-684	50ml	12,500g	Amber	Plug cap	Conical-Bottom	No	Bulk 500/CS

### 3: Dimensions (Unit:mm)



15ml Light Sensitive Centrifuge Tube with Plug Cap



50ml Light Sensitive Centrifuge Tube with Plug Cap

### 4: Features

- Made from high grade gamma resistance polypropylene
- Plug screw caps with sealing ring prevent any leakage
- Easy-to-read black graduations are accurate to  $\pm 2\%$
- With a large unerasable frosting white printed writing area
- Tubes can be centrifuged to 12,500g RCF
- Autoclavable at 121°C and freezable to -80°C
- Block 100% UV Lighting
- DNase/RNase free and non-pyrogenic

### 5: STERILITY

- Sterilized by gamma irradiation SAL10<sup>-6</sup> (ISO11137)

### 6: PRODUCT ISO 9000 CERTIFICATION

- Manufactured in a class 100,000 room environment.
- Manufactured under EN ISO13485 :2003 and ISO9001:2008 quality management system.

Drawn	Approved
Date 20 October 2013	Date 20 October 2013
Name Alex Fang	Name James

**PRODUCT DATA SHEET**

**Centrifuge Tubes with Flat or Plug Caps**

**1: Material:**

Tube: PP (Polypropyfe) Color: Clear

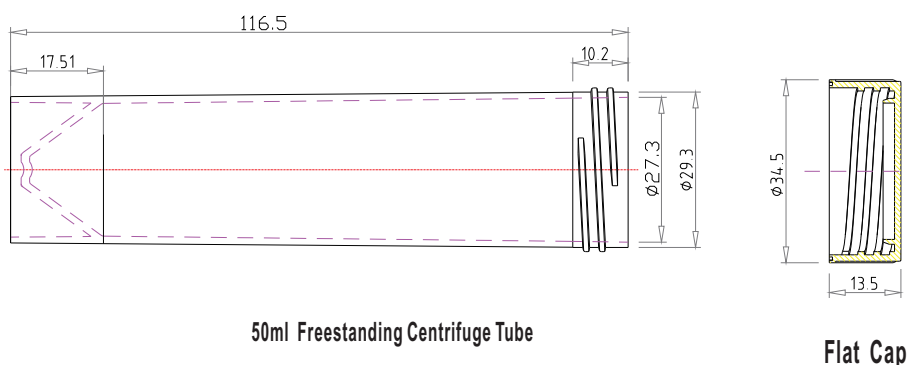
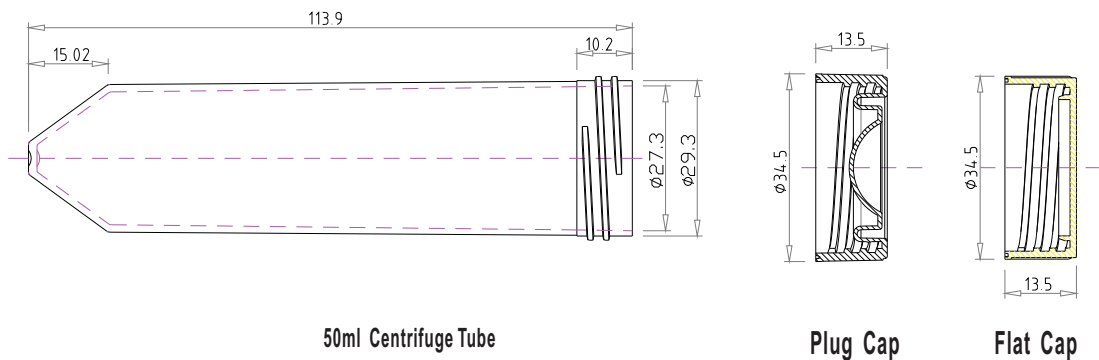
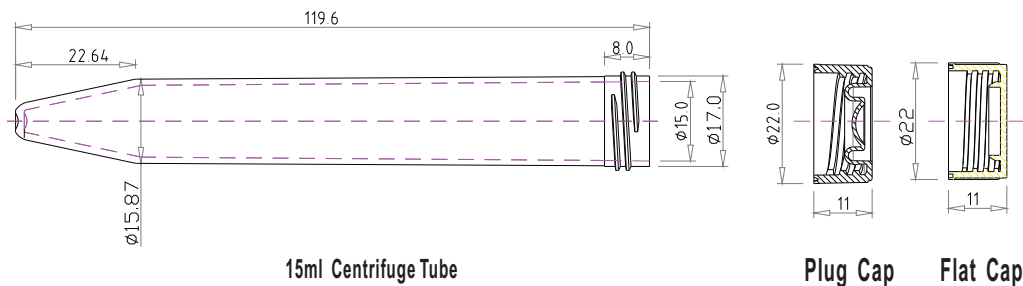
Cap: HDPE (High Density Polyethylene) Color: White




**2: Related Catalog Numbers:**

Cat. No.	Capacity (ml)	Maximum RCF	Tube Shape	Tube Color	Cap Shape	Sterilization	Packaging Configuration
10025-686	15ml	12,500g	Conical-Bottom	Clear	Flat cap	Yes	50/BAG 10 BAG/CS 500/CS
10025-688	15ml	12,500g	Conical-Bottom	Clear	Plug cap	Yes	50/BAG 10 BAG/CS 500/CS
10025-690	15ml	12,500g	Conical-Bottom	Clear	Flat cap	Yes	50/RK 10 RK/CS 500/CS
10025-692	15ml	12,500g	Conical-Bottom	Clear	Plug cap	Yes	50/RK 10 RK/CS 500/CS
10025-694	50ml	12,500g	Conical-Bottom	Clear	Flat cap	Yes	25/RACK 20 RACKS/CS 500/CS
10025-696	50ml	12,500g	Conical-Bottom	Clear	Plug cap	Yes	25/RACK 20 RACKS/CS 500/CS
10025-698	50ml	12,500g	Conical-Bottom	Clear	Flat cap	Yes	50/BAG 10 BAG/CS 500/CS
10025-702	50ml	12,500g	Conical-Bottom	Clear	Plug cap	Yes	50/BAG 10 BAG/CS 500/CS
10025-700	50ml	12,500g	Freestanding	Clear	Flat cap	Yes	50/BAG 10 BAG/CS 500/CS

**3: Dimensions (Unit:mm)**



	Document Number	Revision	Page	Date
	CFT002	A0	2 of 2	10-20-2013
<b>PRODUCT DATA SHEET</b>		<b>Centrifuge Tubes with Flat or Plug Caps</b>		

#### 4: Features

- Made from high grade gamma resistance polypropylene
- Plug and flat screw caps with sealing ring prevent any leakage
- Easy-to-read black graduations are accurate to  $\pm 2\%$
- With a large unerasable frosting white printed writing area
- Tubes can be centrifuged to 12,500g RCF
- Autoclavable at 121°C and freezable to -80°C
- DNase/RNase free and non-pyrogenic


#### 5: STERILITY

- Sterilized by gamma irradiation SAL10<sup>-6</sup> (ISO11137)

#### 6: PRODUCT ISO 9000 CERTIFICATION

- *Manufactured in a class 100,000 room environment.*
- *Manufactured under EN ISO13485 :2003 and ISO9001:2008 quality management system.*

<b>Drawn</b>	<b>Approved</b>
Date 20 October 2013	Date 20 October 2013
Name Alex Fang	Name James

	Document Number	Revision	Page	Date
	CFT003	A0	1 of 1	10-20-2013
<b>PRODUCT DATA SHEET</b>		<b>Metal-Free Centrifuge Tubes with Flat Caps</b>		

### 1: Material:

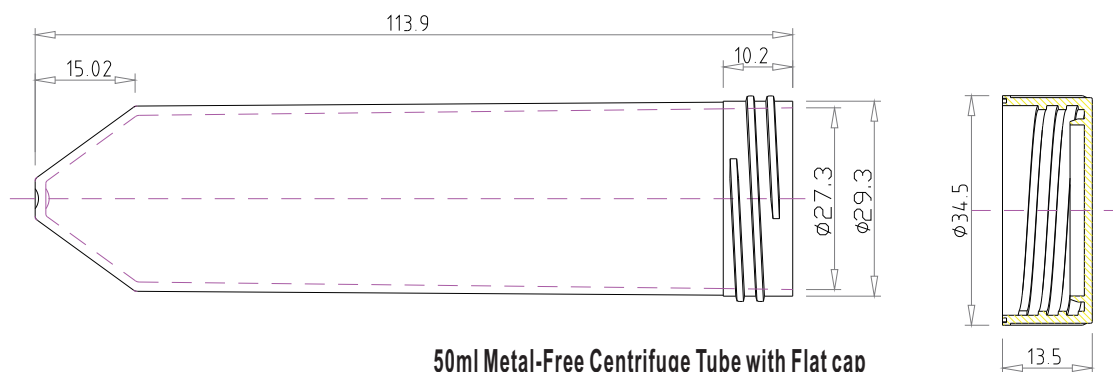
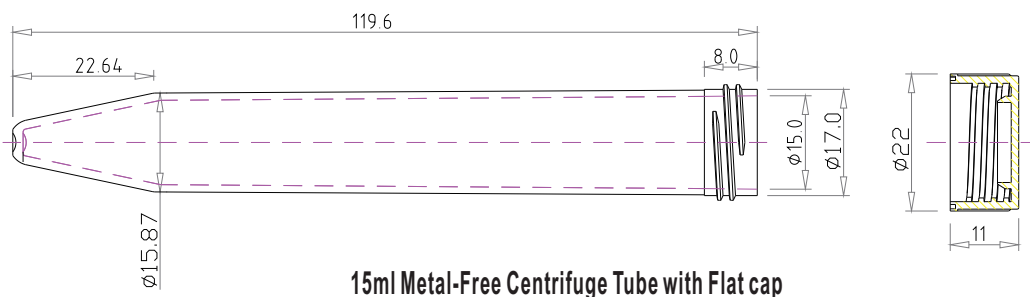
Tube: PP (Polypropylene) Color: Clear

Cap: HDPE (High Density Polyethylene) Color: Clear

### 2: Related Catalog Numbers:

Cat. No.	Capacity (ml)	Maximum RCF	Tube Color	Cap Shape	Tube Shape	Sterilization	Packaging Configuration
10026-322	15ml	12,500g	Clear	Flat cap	Conical-Bottom	Yes	Bulk 500/CS
10025-706	15ml	12,500g	Clear	Flat cap	Conical-Bottom	Yes	25/RACK, 2RACKS/PK, 20 RACKS/CS, 500/CS
10025-708	50ml	12,500g	Clear	Flat cap	Conical-Bottom	Yes	Bulk 500/CS
10025-710	50ml	12,500g	Clear	Flat cap	Conical-Bottom	Yes	25/RACK 20 RACKS/CS 500/CS

### 3: Dimensions (Unit:mm)



### 4: Features

- Made from high grade gamma resistance polypropylene
- Longer length screw caps with sealing ring prevent any leakage
- Easy-to-read black graduations are accurate to  $\pm 2\%$
- With a large unerasable frosting white printed writing area
- Tubes can be centrifuged to 12,500g RCF
- Tubes are certified free of major critical trace metals to less than 1ppb.
- Autoclavable at 121°C and freezable to -80°C
- DNase/RNase free and non-pyrogenic


### 5: STERILITY

- Sterilized by gamma irradiation SAL10<sup>-6</sup>. (ISO11137)

### 6: PRODUCT ISO 9000 CERTIFICATION

- Manufactured in a class 100,000 room environment.
- Manufactured under EN ISO13485 :2003 and ISO9001:2008 quality management system.

Drawn	Approved
Date 20 October 2013	Date 20 October 2013
Name Alex Fang	Name James

	Document Number	Revision	Page	Date
	CFT004	A0	1 of 1	10-20-2013
<b>PRODUCT DATA SHEET</b>		<b>Freestanding Centrifuge Tubes with Flat caps</b>		

### 1: Material:

Tube: PP (Polypropylene) Color: Clear

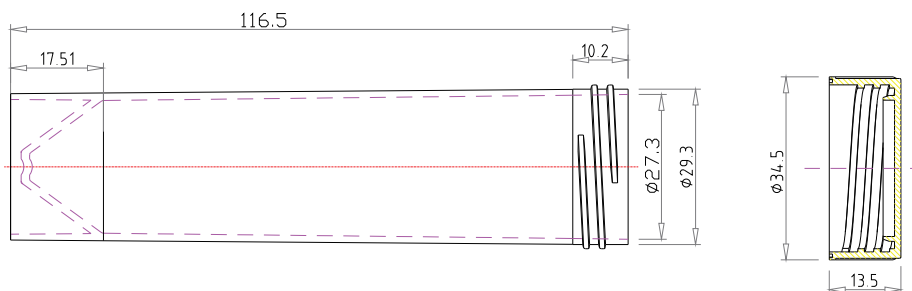
Cap: HDPE (High Density Polyethylene) Color: White

### 2: Related Catalog Numbers:

Cat. No.	Capacity (ml)	Maximum RCF	Tube Color	Cap Shape	Tube Shape	Sterilization	Packaging Configuration
10025-712	50ml	10,000g	Clear	Flat cap	Freestanding	No	50/BAG 10 BAG/CS 500/CS
10026-072	50ml	10,000g	Clear	Flat cap	Freestanding	Yes	50/BAG 10 BAG/CS 500/CS
10026-074	50ml	10,000g	Clear	Flat cap	Freestanding	No	Bulk 500/CS



### 3: Dimensions (Unit:mm)



**Freestanding Centrifuge Tube with Flat cap**

### 4: Features

- Made from high grade gamma resistance polypropylene
- Longer length screw caps with sealing ring prevent any leakage
- Easy-to-read black graduations are accurate to  $\pm 2\%$
- With a large unerasable frosting white printed writing area
- Unique Free-standing (skirted) base designs allows tube to stand very stable.
- Tubes can be centrifuged to 10,000g RCF
- Autoclavable at 121°C and freezable to -80°C
- DNase/RNase free and non-pyrogenic


### 5: STERILITY

- Sterilized by gamma irradiation SAL10<sup>-6</sup>. (ISO11137)

### 6: PRODUCT ISO 9000 CERTIFICATION

- Manufactured in a class 100,000 room environment.
- Manufactured under EN ISO13485 :2003 and ISO9001:2008 quality management system.

Drawn	Approved
Date 20 October 2013	Date 20 October 2013
Name Alex Fang	Name James

	Document Number	Revision	Page	Date
	CFT005	A0	1 of 1	10-20-2013
<b>PRODUCT DATA SHEET</b>		<b>Centrifuge Tubes with Flat Caps</b>		

### 1: Material:

Tube: PP (Polypropylene) Color: Clear

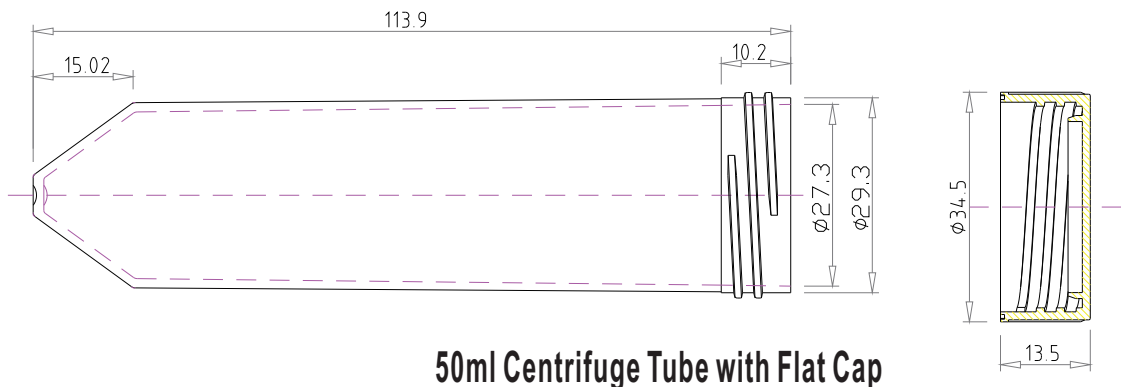
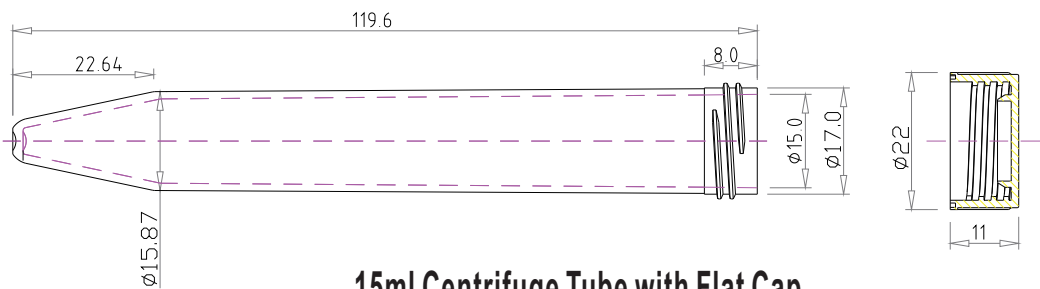
Cap: HDPE (High Density Polyethylene) Color: Clear

### 2: Related Catalog Numbers:

Cat. No.	Capacity (ml)	Maximum RCF	Tube Color	Cap Shape	Tube Shape	Sterilization	Packaging Configuration
10026-076	15ml	7,500g	Clear	Flat cap	Conical-Bottom	Yes	50/BAG 500/CS
10026-078	50ml	7,500g	Clear	Flat cap	Conical-Bottom	Yes	50/BAG 500/CS



### 3: Dimensions (Unit:mm)



### 4: Features

- Made from high grade gamma resistance polypropylene
- Longer length screw caps with sealing ring prevent any leakage
- Easy-to-read black graduations are accurate to  $\pm 2\%$
- With a large unerasable frosting white printed writing area
- Tubes can be centrifuged to 7,000g RCF
- Autoclavable at 121°C and freezable to -80°C
- DNase/RNase free and non-pyrogenic


### 5: STERILITY

- Sterilized by gamma irradiation SAL10<sup>-6</sup>. (ISO11137)

### 6: PRODUCT ISO 9000 CERTIFICATION

- Manufactured in a class 100,000 room environment.
- Manufactured under EN ISO13485 :2003 and ISO9001:2008 quality management system.

Drawn	Approved
Date 20 October 2013	Date 20 October 2013
Name Alex Fang	Name James

	Document Number	Revision	Page	Date
	CFT006	A0	1 of 1	10-20-2013
<b>PRODUCT DATA SHEET</b>		<b>Polystyrene(PS) Centrifuge Tubes with Flat caps</b>		

### 1: Material:

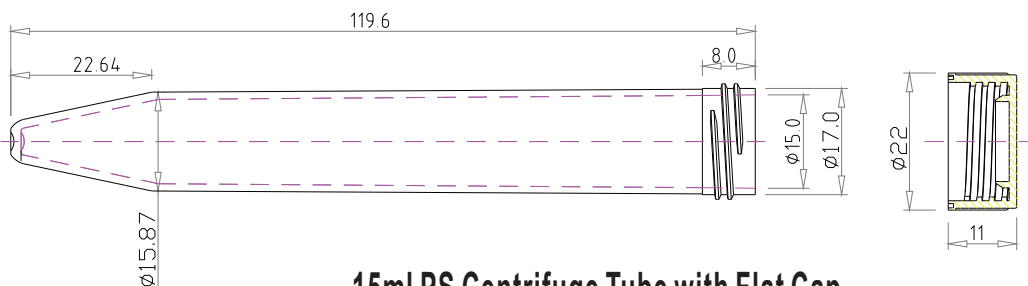
Tube: PS (Polystyrene) Color: Clear  
 Cap: HDPE (High Density Polyethylene) Color: White  
 Gasket: PE (Polyethylene) Color: White



### 2: Related Catalog Numbers:

Cat. No.	Capacity (ml)	Maximum RCF	Tube Color	Cap Shape	Tube Shape	Sterilization	Packaging Configuration
10026-080	15ml	3,000g	Clear	Flat cap	Conical-Bottom	No	Bulk 500/CS
10026-082	15ml	3,000g	Clear	Flat cap	Conical-Bottom	Yes	25/RACK, 2RACKS/PK, 20 RACKS/CS, 500/CS
10026-084	15ml	3,000g	Clear	Flat cap	Conical-Bottom	Yes	50/BAG, 10 BAGS/CS 500/CS

### 3: Dimensions (Unit:mm)



15ml PS Centrifuge Tube with Flat Cap

### 4: Features

- Made with high-quality USP Classic VI polystyrene
- Molded graduations stand out distinctly on these optically clear polystyrene tubes
- Colorless and transparent are perfect for biological reaction experiments
- Engraved graduation at the body of each tube
- The flat surface of the polypropylene cap provides an at-a-glance identification area
- Tubes can be centrifuged to 3,000g RCF
- Not autoclavable
- DNase/RNase free and non-pyrogenic


### 5: STERILITY

- Sterilized by gamma irradiation SAL10<sup>-6</sup> (ISO11137)

### 6: PRODUCT ISO 9000 CERTIFICATION

- Manufactured in a class 100,000 room environment.
- Manufactured under EN ISO13485 :2003 and ISO9001:2008 quality management system.

Drawn	Approved
Date 20 October 2013	Date 20 October 2013
Name Alex Fang	Name James

	Document Number	Revision	Page	Date
	CFT007	A0	1 of 2	10-20-2013
<b>PRODUCT DATA SHEET</b>		<b>Plastic Rack for 15ml Centrifuge Tubes</b>		

### 1: Material:

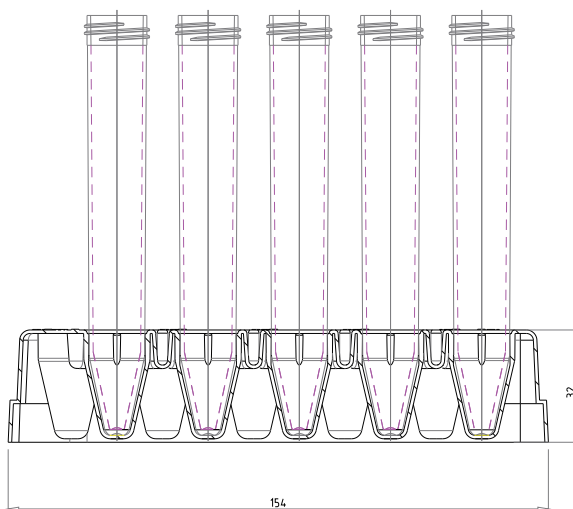
Plastic Rack: PP (Polypropylene)

### 2: Related Catalog Numbers:

Cat. No.	Suitable (ml)	Rack Color	Sterilization	Packaging Configuration
10025-704	15ml CT	Natural	Yes	5/BAG 10 BAG/CS 50/CS
10026-064	15ml CT	White	Yes	5/BAG 10 BAG/CS 50/CS
10026-066	15ml CT	Yellow	Yes	5/BAG 10 BAG/CS 50/CS
10026-068	15ml CT	Orange	Yes	5/BAG 10 BAG/CS 50/CS
10026-070	15ml CT	Red	Yes	5/BAG 10 BAG/CS 50/CS
10026-300	15ml CT	Blue	Yes	5/BAG 10 BAG/CS 50/CS
10026-302	15ml CT	Green	Yes	5/BAG 10 BAG/CS 50/CS
10026-304	15ml CT	Assorted	Yes	5/BAG 10 BAG/CS 50/CS



### 3: Dimensions (Unit:mm)



### 4: Features

- Made from high grade gamma resistance polypropylene
- Suitable for 15ml conical bottom centrifuge tubes
- Marked with numbers(1-25) for identification
- Angular at one end to stack up easily
- Autoclavable at 121 °C and freezable to -80 °C
- Can be washed and reused
- DNase/RNase free and non-pyrogenic

### 5: STERILITY


- Sterilized by gamma irradiation SAL10<sup>-6</sup>. (ISO11137)

### 6: PRODUCT ISO 9000 CERTIFICATION

- Manufactured in a class 100,000 room environment.
- Manufactured under EN ISO13485 :2003 and ISO9001:2008 quality management system.

Drawn	Approved
Date 20 October 2013	Date 20 October 2013
Name Alex Fang	Name James



	Document Number	Revision	Page	Date
	CFT008	A0	1 of 2	10-20-2013
<b>PRODUCT DATA SHEET</b>		<b>Plastic Rack for 50ml Centrifuge Tubes</b>		

### 1: Material:

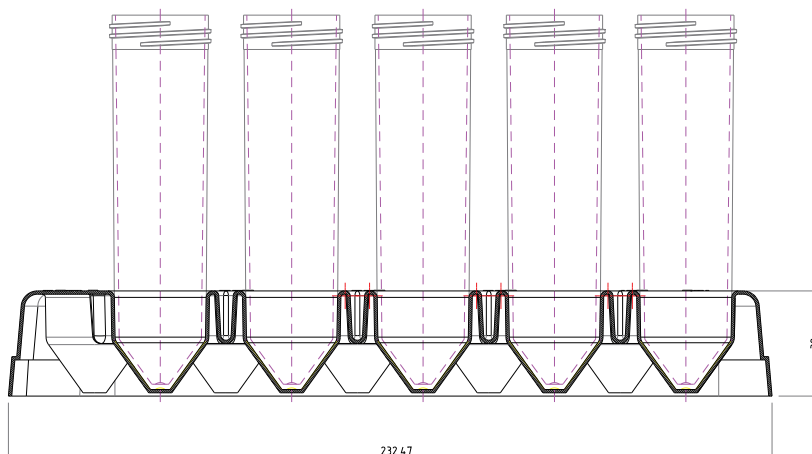
Plastic Rack: PP (Polypropylene)

### 2: Related Catalog Numbers:

Cat. No.	Suitable (ml)	Rack Color	Sterilization	Packaging Configuration
10026-306	50ml CT	Natural	Yes	5/BAG 10 BAG/CS 50/CS
10026-308	50ml CT	White	Yes	5/BAG 10 BAG/CS 50/CS
10026-310	50ml CT	Yellow	Yes	5/BAG 10 BAG/CS 50/CS
10026-312	50ml CT	Orange	Yes	5/BAG 10 BAG/CS 50/CS
10026-314	50ml CT	Red	Yes	5/BAG 10 BAG/CS 50/CS
10026-316	50ml CT	Blue	Yes	5/BAG 10 BAG/CS 50/CS
10026-318	50ml CT	Green	Yes	5/BAG 10 BAG/CS 50/CS
10026-320	50ml CT	Assorted	Yes	5/BAG 10 BAG/CS 50/CS



### 3: Dimensions (Unit:mm)



### 4: Features

- Made from high grade gamma resistance polypropylene
- Suitable for 50ml conical bottom centrifuge tubes
- Marked with numbers (1-25) for identification
- Angular at one end to stack up easily
- Autoclavable at 121 °C and freezable to -80 °C
- Can be washed and reused
- DNase/RNase free and non-pyrogenic

### 5: STERILITY

- Sterilized by gamma irradiation SAL10<sup>-6</sup>. (ISO11137)

### 6: PRODUCT ISO 9000 CERTIFICATION

- Manufactured in a class 100,000 room environment.
- Manufactured under EN ISO13485 :2003 and ISO9001:2008 quality management system.

Drawn	Approved
Date 20 October 2013	Date 20 October 2013
Name Alex Fang	Name James