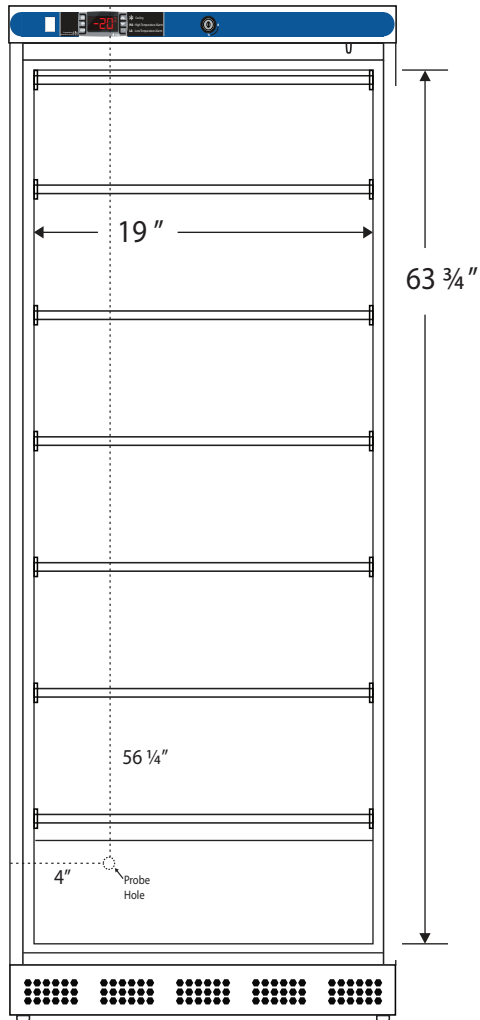


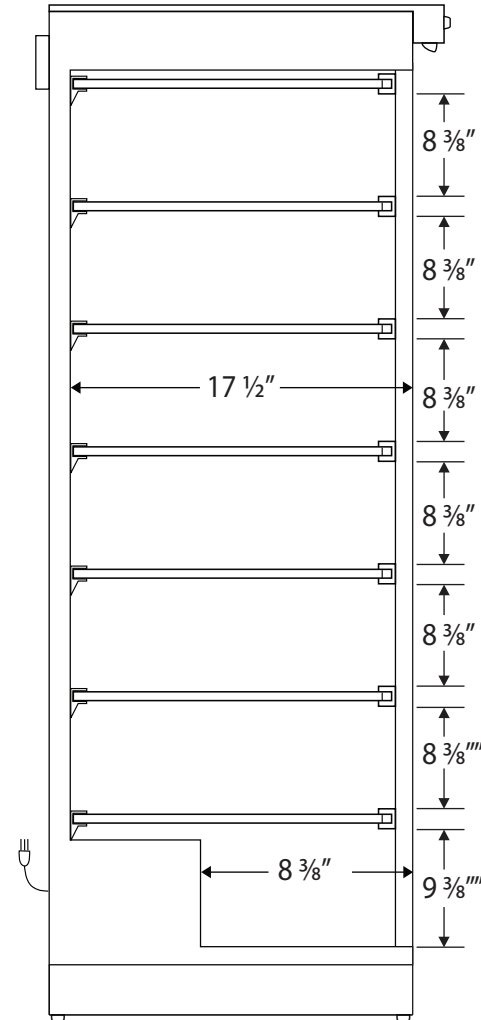
Interior



Front View



Side View


 115VAC/60Hz/1PH
 NEMA-5-15P

Cat# 76580-170/VWR-HC-MFP-14

Cu.Ft.	Defrost	Door	Int Door	Shelves	W"	D"	H"	Refrigerant	H.P.	Amps	Weight
14	Manual	1 Solid	0	6 Fixed	19	17 1/2	63 3/4	R290	1/3	3.5	165 lbs.